

Angle Grinder - 0 601 340 439 - 1340

www.powertools-aftersaleservice.com

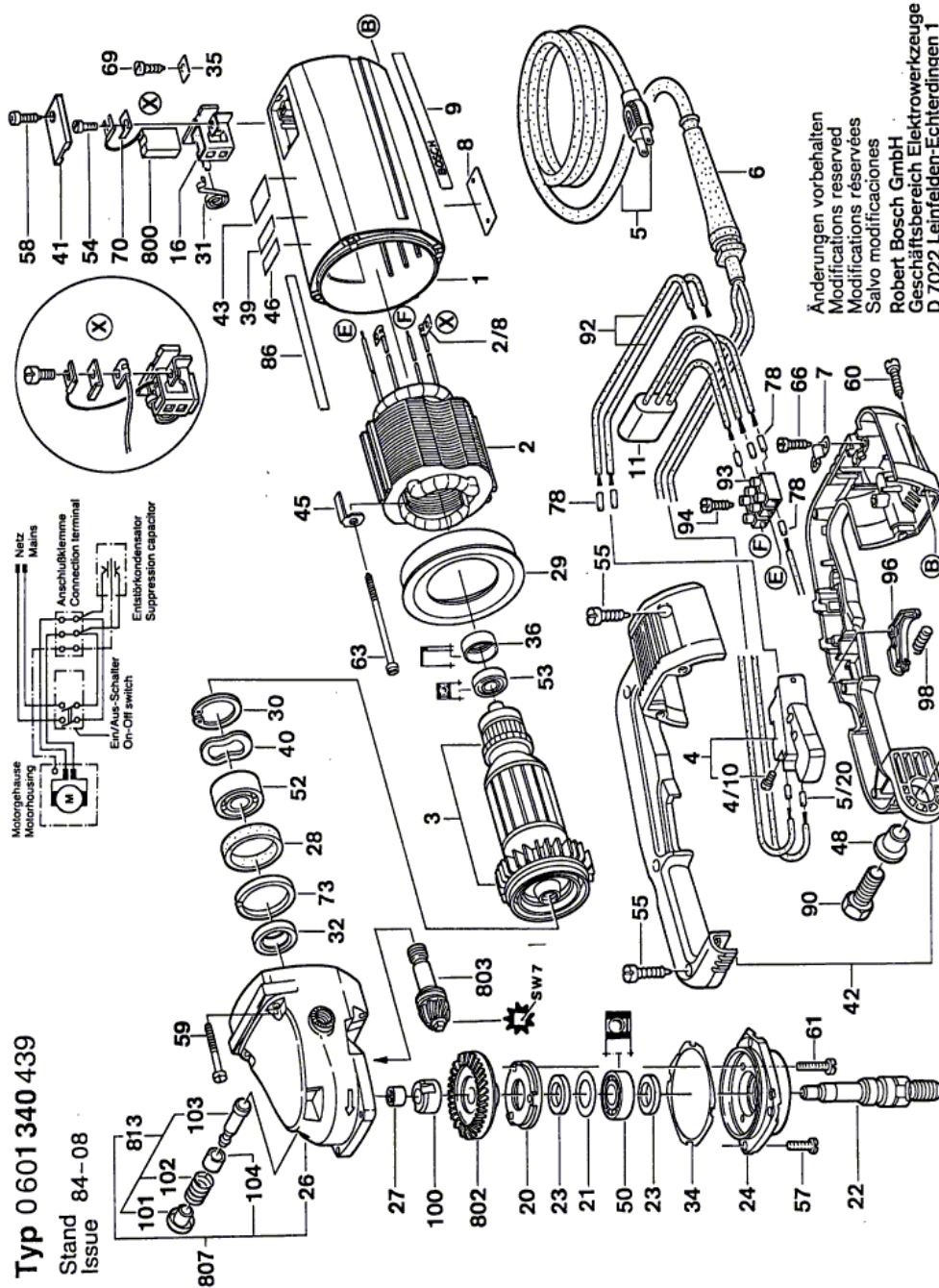


BOSCH

Item	Part Number	Description	Illustration	Price	Quantity	Price Group
1	1 605 108 124	Motor Housing BLUE	1	-,-	1	32
2	1 604 220 247	Field 115V	1	-,-	1	49
2/8	1 901 350 003	Terminal lug 1,5-4x4	1	-,-	2	10
4	1 607 200 090	On-Off Switch	1	-,-	1	36
5	1 604 460 133	Power supply cord USA/CDN 2,15m 2 x 2,08mm SJ 14/2	1	-,-	1	27
5/20	1 900 452 003	End Splice DIN 46 228-A2,5-7	1	-,-	2	11
6	3 600 703 011	Grommet Ø9,2-Ø12x120 MM	1	-,-	1	13
7	1 601 302 014	Fastening Clamp	1	-,-	1	11
9	1 601 110 003	Manufacturer's nameplate	1	-,-	1	11
16	1 604 336 008	Brush Holder	1	-,-	2	18
20	1 605 808 054	Bearing cover	1	-,-	1	14
21	1 600 102 012	Cover Disc	1	-,-	1	11
22	1 603 523 099	Grinding Spindle 5/8", SW 17/19	1	-,-	1	38
23	1 600 108 055	Sealing disk	1	-,-	2	11
27	2 600 910 001	Needle bearing Ø14 MM	1	-,-	1	16
28	1 600 206 029	Rubber Ring Ø41xØ37x7,5 MM	N/A	-,-	1	13
29	1 600 502 013	Guide Pulley	1	-,-	1	11
30	1 600 119 004	Spring retaining ring	1	-,-	1	14
31	1 604 652 015	Spiral Spring	1	-,-	2	11
32	1 600 290 008	Rotary shaft lip seal WHITE	1	-,-	1	13
34	1 600 190 004	Shim 0,1 MM THICK	1	-,-	1	11
34	1 600 190 005	Shim 0,2 MM THICK	1	-,-	1	11
35	1 601 030 022	Tab Washer	1	-,-	2	11
36	1 600 206 015	Rubber Ring	1	-,-	1	11
39	1 601 110 358	Reference Plate CAUTION	1	-,-	1	11
40	1 600 150 009	Spring Washer Ø32,3xØ43,5x0,6 MM	1	-,-	1	14
41	1 605 500 089	Sealing cap BLUE	1	-,-	2	11
42	1 605 133 038	Handle	1	-,-	1	32
43	1 601 110 058	Reference Plate DOUBLE INSULATION	1	-,-	1	11
45	1 601 331 032	Holding Bracket	1	-,-	2	11
48	1 600 322 035	Spacer Bushing	1	-,-	1	16
50	1 900 905 227	Deep-Groove Ball Bearing 6203-2 Z DIN 625	1	-,-	1	27
52	1 600 900 028	Deep-Groove Ball Bearing 37x12x12	1	-,-	1	25

Item	Part Number	Description	Illustration	Price	Quantity	Price Group
53	1 600 900 029	Deep-Groove Ball Bearing	1	-,-	1	21
54	2 910 021 118	Socket head cap screw DIN 84-AM4x8-8.8	1	-,-	4	10
55	2 910 211 021	Tapping Screw DIN 7971-ST3,9x22-F	1	-,-	4	10
57	2 910 011 157	Socket head cap screw DIN 84-AM5x15-5.8	1	-,-	4	10
58	2 910 211 220	Tapping Screw DIN 7971-B 3,9x19	1	-,-	2	11
59	3 603 415 560	Thread-forming tap. Screw B 4,8x45 MM	1	-,-	4	11
60	1 603 412 007	Tapping Screw B4,8x29 MM	1	-,-	4	11
61	2 910 011 162	Socket head cap screw DIN 84-AM5x20-5.8	1	-,-	3	10
63	1 603 429 001	Tapping Screw B4,8x85 MM	1	-,-	2	11
66	2 910 211 019	Tapping Screw DIN 7971-ST3,9x16-F	1	-,-	2	10
69	2 910 211 011	Tapping Screw DIN 7971-BZ3,5x13	1	-,-	2	10
70	1 611 331 007	Tab Washer	1	-,-	2	11
73	1 600 224 033	Retaining snap ring	1	-,-	1	13
78	1 900 452 003	End Splice DIN 46 228-A2,5-7	1	-,-	6	11
86	1 601 110 073	Sticker DOUBLE INSULATION	1	-,-	1	14
90	2 911 061 389	Hex Screw DIN 933-M14x28-8.8	1	-,-	1	17
91	1 600 322 035	Spacer Bushing	N/A	-,-	1	16
92	1 604 413 003	Connecting Cable	1	-,-	2	13
93	1 601 091 010	Socket-Terminal Strip 2x2,5 MM	1	-,-	1	13
94	2 910 211 008	Tapping Screw DIN 7971-BZ2,9x19	1	-,-	1	10
96	1 602 099 002	Locking Lever	1	-,-	1	-
98	1 604 625 008	Compression Spring	1	-,-	1	12
100	1 600 390 011	Grooved Ring	1	-,-	1	28
120	1 606 333 213	Crown Gear Z=50	N/A	-,-	1	46
650	1 600 793 004	Strap-Shaped Handle	N/A	-,-	1	36
651/20	1 907 950 007	Offset Screwdriver DIN 911;SW6	N/A	-,-	1	15
651/30	1 605 703 078	Clamping-Flange	N/A	-,-	1	39
651/60	2 603 450 007	Hex Screw M14x16x1,5 MM	N/A	-,-	2	17
651/70	1 605 703 077	Conical Spring Washer	N/A	-,-	1	40
652/40	2 910 141 240	Hex Socket Head Cap Screw DIN 912-M8x18-8.8	N/A	-,-	1	11
653/30	2 910 281 246	Round-Head Bolt M 8x30 DIN 603	N/A	-,-	2	11
653/40	2 915 191 007	Wing Nut DIN 315-M8-GT-C	N/A	-,-	2	15
653/50	2 600 100 041	Plain Washer DIN 315-M8-GT-C	N/A	-,-	4	11
653/60	1 604 643 003	Compression Spring	N/A	-,-	2	17
703	1 607 000 209	Parts Set	N/A	-,-	1	-
703/11	2 603 450 007	Hex Screw M14x16x1,5 MM	N/A	-,-	2	17
752	1 605 510 149	Protective Cover Ø 300 MM	N/A	-,-	1	-
753	1 608 190 005	Guide Block	N/A	-,-	1	-
800	1 607 014 103	Carbon-Brush Set	1	-,-	1	26
802	1 606 333 213	Crown Gear Z=50	1	-,-	1	46
803	1 606 333 226	Bevel Gear Z=9	1	-,-	1	44
807	1 607 000 917	Parts Set	1	-,-	1	41
813	1 607 000 161	Parts Set	1	-,-	1	17
817	1 607 000 229	Bearing Flange	N/A	-,-	1	27
817/029	1 600 210 033	O-Ring 79,0x1,78 MM	N/A	-,-	1	11
830	1 604 012 055	Armature 110-115V	N/A	-,-	1	52
888	1 601 106 032	Nameplate 26x52 MM	N/A	-,-	1	13

Illustration - Type E



G2

Information subject to change without further notice.