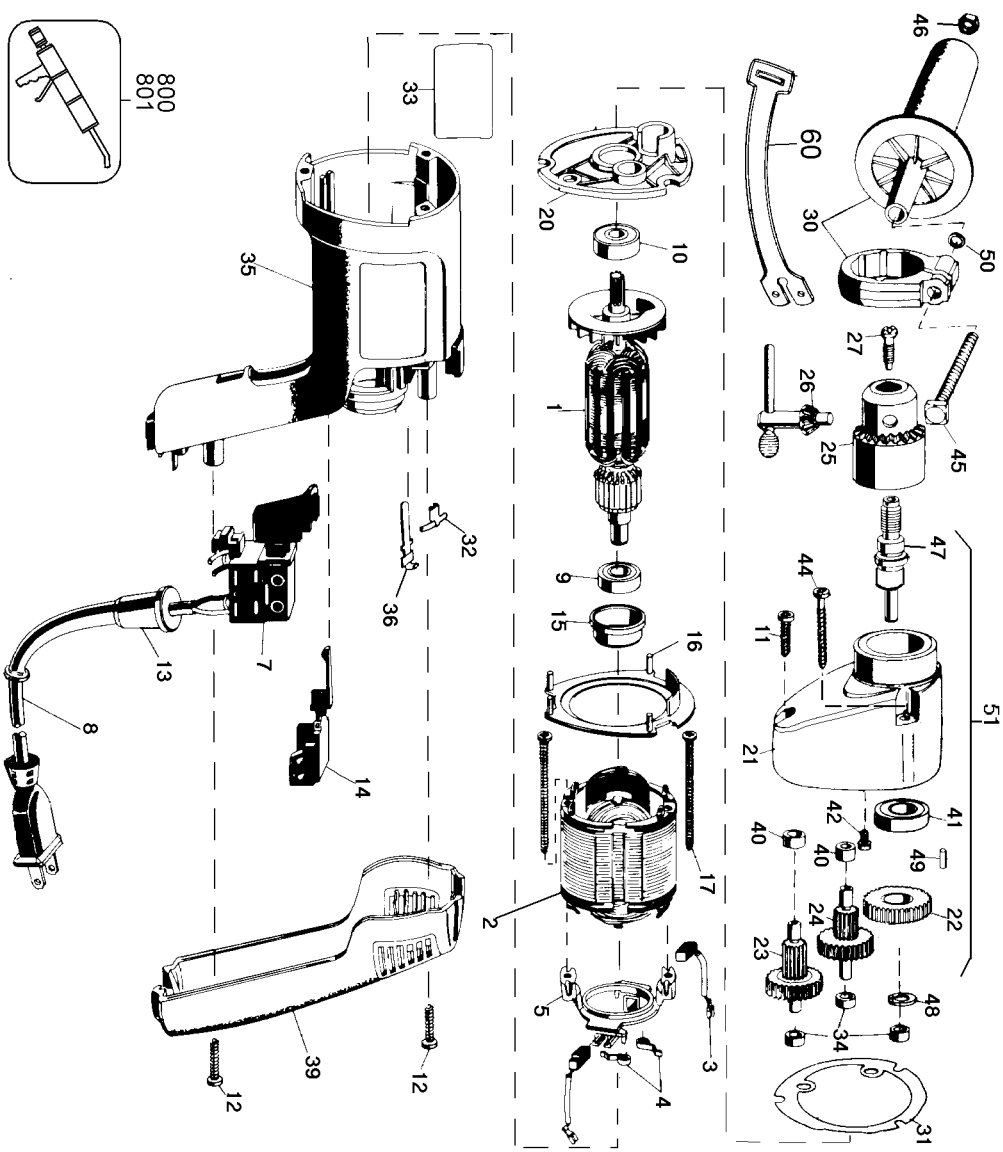


800  
801



## Parts List for 1311 Type 102

| Item Number | Part Number | Description         | Qty Required |
|-------------|-------------|---------------------|--------------|
| 1           | 000000-00   | No Longer Available | 1            |
| 2           | 000000-00   | No Longer Available | 1            |
| 3           | 143803-00   | BRUSH & LEAD        | 2            |
| 4           | 445860-00   | SPRING,BRUSH        | 2            |
| 5           | 449899-05   | RING,BRUSH          | 1            |
| 7           | 286196-00   | SWITCH              | 1            |
| 8           | 330072-98   | CORD/8FT/18-2SJ     | 1            |
| 9           | 330003-04   | BEARING,BALL        | 2            |
| 10          | 330003-04   | BEARING,BALL        | 1            |
| 11          | 330019-16   | SCREW               | 1            |
| 12          | 330019-13   | SCREW,M4X19         | 2            |
| 13          | 330005-01   | PROTECTOR,CORD      | 1            |
| 14          | 000000-00   | No Longer Available | 1            |
| 15          | 445217-02   | SLEEVE              | 1            |
| 16          | 447866-00   | BAFFLE,FAN          | 1            |
| 17          | 448269-00   | SCREW               | 2            |
| 20          | 000000-00   | No Longer Available | 1            |
| 21          | 000000-00   | No Longer Available | 1            |
| 22          | 000000-00   | No Longer Available | 1            |
| 23          | 000000-00   | No Longer Available | 1            |
| 24          | 000000-00   | No Longer Available | 1            |
| 25          | 449644-00   | CHUCK & KEY         | 1            |
| 26          | 330034-03   | CHUCK KEY           | 1            |
| 27          | 448847-01   | L.H. SCREW          | 1            |
| 30          | 000000-00   | No Longer Available | 1            |
| 31          | 386422-00   | GASKET              | 1            |
| 32          | 000000-00   | No Longer Available | 2            |

## Parts List for 1311 Type 102

| Item Number | Part Number | Description         | Qty Required |
|-------------|-------------|---------------------|--------------|
| 33          | 000000-00   | No Longer Available | 1            |
| 34          | 093128-00   | NEEDLE BEARING      | 3            |
| 35          | 464231-00   | CASE,FIELD          | 1            |
| 36          | 449192-00   | TERMINAL            | 3            |
| 39          | 450594-03   | COVER,HANDLE        | 1            |
| 40          | 330004-00   | BEARING,NEEDLE      | 2            |
| 41          | 330003-09   | BEARING,BALL        | 1            |
| 42          | 052819-00   | SCREW               | 1            |
| 44          | 330019-18   | SCREW,PLASTITE      | 2            |
| 45          | 448674-00   | SCREW               | 1            |
| 46          | 2281-00     | NUT                 | 1            |
| 47          | 000000-00   | No Longer Available | 1            |
| 48          | 000000-00   | No Longer Available | 1            |
| 49          | 000000-00   | No Longer Available | 1            |
| 50          | 146652-00   | WASHER, PLAIN       | 1            |
| 51          | 000000-00   | No Longer Available | 1            |
| 60          | 065288-01   | CH KEY HOLDER       | 1            |
| 800         | 761995-01   | GREASE, 6 OZ.       | 1            |
| 801         | 283484-01   | GREASE,32 OZ.       | 1            |