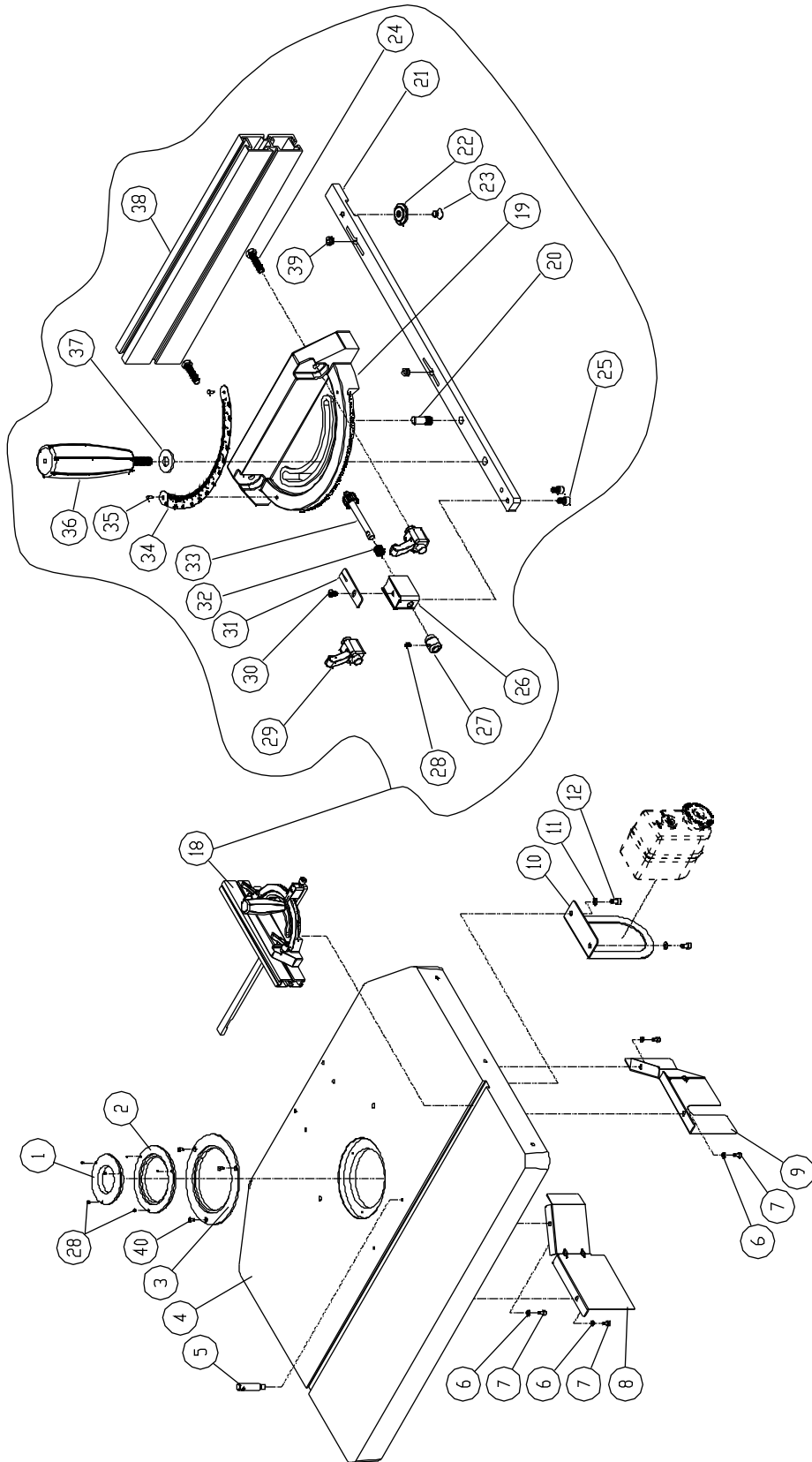


Table – Parts List

Index No.	Part No.	Description	Size	Qty
1	PM2700-101N	Insert Ring	2.55" I.D.	1
2	PM2700-102N	Insert Ring	4.16" I.D.	1
3	PM2700-103N	Insert Ring	5.75" I.D.	1
4	PM2700-104N	Table		1
5	PM2700-105	Starting Pin		1
6	TS-2361061	Lock Washer	M6	4
7	TS-1503031	Socket Head Cap Screw	M6x12	4
8	PM2700-108	Left Dust Deflector		1
9	PM2700-109	Right Dust Deflector		1
10	PM2700-110	Switch Plate		1
11	TS-1550061	Flat Washer	M8	2
12	TS-1504041	Socket Head Cap Screw	M8x20	2
18	1791789	Miter Gauge Assembly (Index #19 thru #39)		1
19	PM2000-323	Miter Gauge Body		1
20	PM2000-324	Pin		1
21	PM2000-325	Miter Gauge Bar		1
22	PM2000-326	Guide Washer		1
23	PM2000-327	Flat Head Machine Screw	M6x9	1
24	TS-0050051	Hex Cap Screw	1/4-20x1	2
25	PM2000-329	Socket Head Cap Screw	M5x8	2
26	PM2000-330	Support Base		1
27	PM2000-331	Knob		1
28	TS-1521011	Set Screw	M4x4	7
29	PM2000-333	Locking Handle		2
30	TS-0810012	Round Head Screw	#10-24x1/4	1
31	PM2000-335	Pointer		1
32	PM2000-336	Spring		1
33	PM2000-337	Gear Shaft		1
34	PM2000-338	Scale		1
35	PM2000-339	Rivet		2
36	PM2000-340	Handle		1
37	TS-0680031	Flat Washer	5/16	1
38	PM2000-342	Fence		1
39	PM2000-343	Set Screw	M8x6	2
40	TS-1513021	Flat Head Socket Screw	M5x12	3

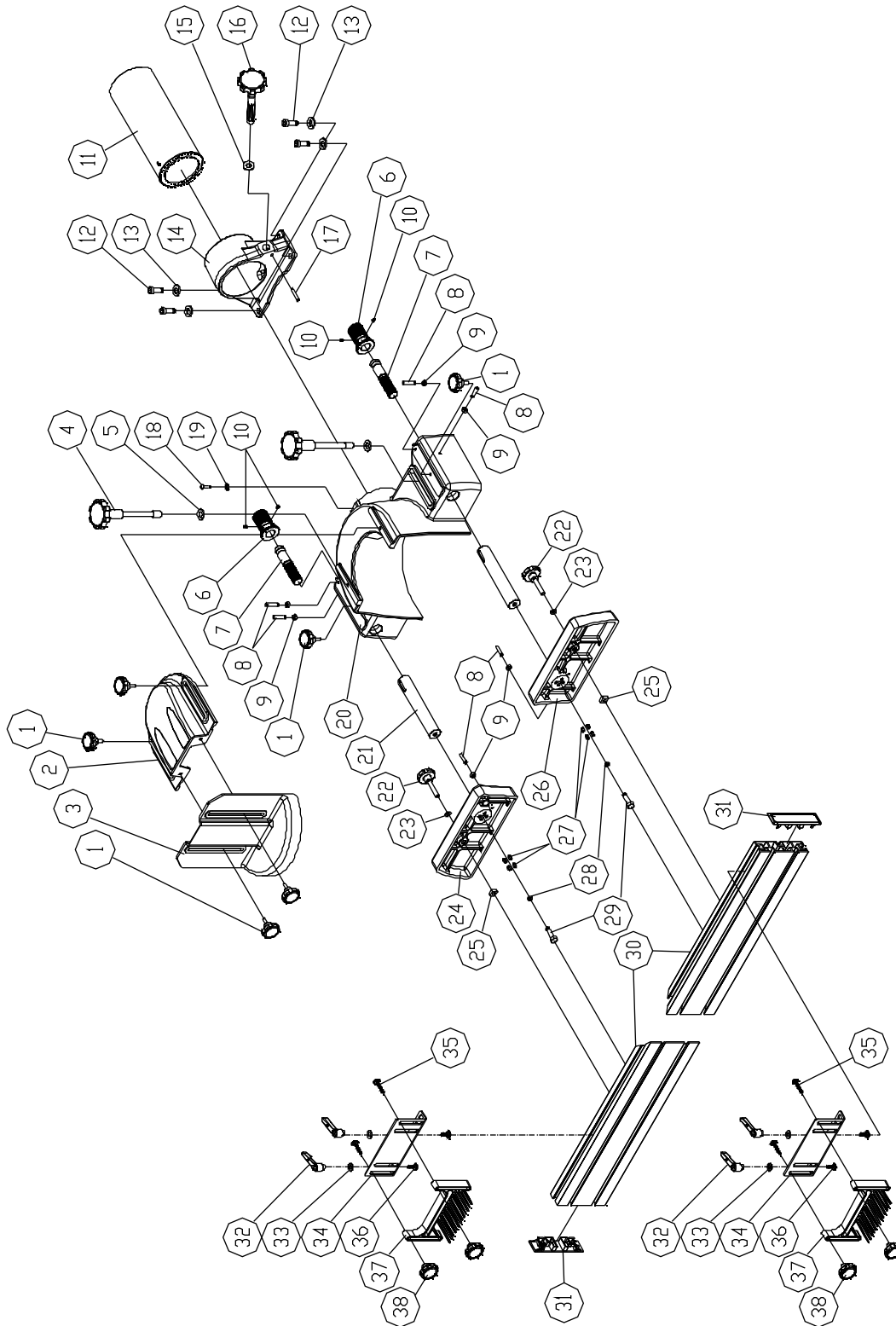
Table – Assembly Drawing



Fence – Parts List

Index No.	Part No.	Description	Size	Qty
1	PM2700-201	Knob		6
2	PM2700-202	Guard Holder		1
3	PM2700-203	Cutter Guard		1
4	PM2700-204	Lock Knob		2
5	PM2700-205	Flat Washer	M13	2
6	PM2700-206	Adjustment Knob		2
7	PM2700-207	Adjustment Lead Screw		2
8	TS-1523071	Socket Set Screw	M6x25	6
9	TS-2311061	Hex Nut	M6	6
10	TS-1522011	Socket Set Screw	M5x6	4
11	PM2700-211	Column		1
12	TS-1505031	Socket Head Cap Screw	M10x25	4
13	TS-2361101	Lock Washer	M10	4
14	PM2700-214	Fence Column Bracket		1
15	TS-155010	Flat Washer	M16	1
16	PM2700-216	Geared Knob		1
17	PM2700-217	Spring Pin	Ø5x32	1
18	TS-2246202	Button Head Socket Screw	M6x20	1
19	TS-2361061	Lock Washer	M6	1
20	PM2700-220	Fence Body		1
21	PM2700-221	Shaft		2
22	PM2700-222	Lock Knob		2
23	PM2700-223	Washer		2
24	PM2700-224	Left Fence Plate		1
25	PM2700-225	Square Nut	M8	2
26	PM2700-226	Right Fence Plate		1
27	TS-1523021	Socket Set Screw	M6x8	8
28	PM2700-228	Bushing		2
29	TS-1490051	Hex Cap Screw	M8x30	2
30	PM2700-230	Fence		2
31	PM2700-231	End Cap		2
32	PM2700-232	Lock Handle		4
33	TS-1550061	Flat Washer	M8	4
34	PM2700-234	Bracket		2
35	PM2700-235	Carriage Bolt	M5x30	4
36	PM2700-236	Carriage Bolt	M5x16	4
37	PM2700-237	Feather Board		2
38	PM2700-238	Knob		4
	PM2700-FBA	Feather Board Assembly (index # 32 through 38)		1
	PM2700-FA	Fence – Complete Assembly (index # 1 through 38)		1

Fence – Assembly Drawing

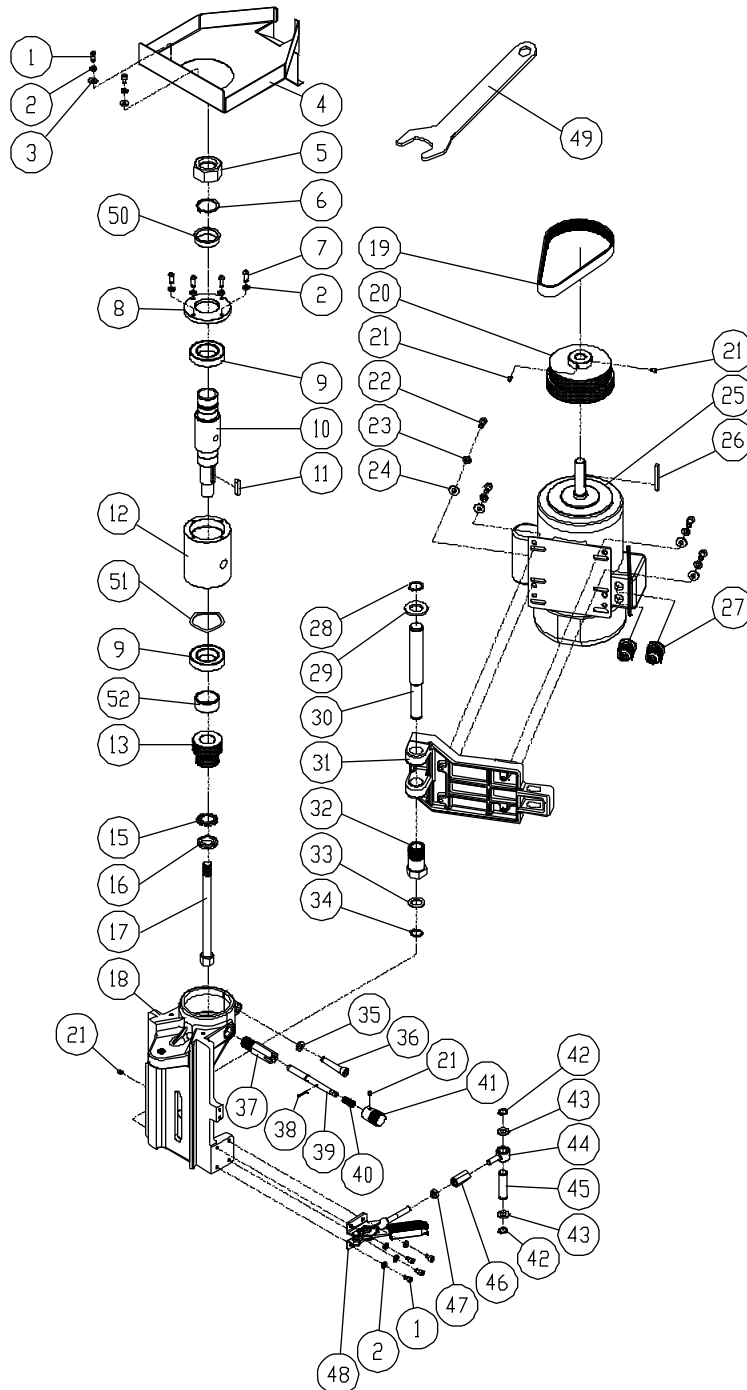


Frame and Motor – Parts List

Index No.	Part No.	Description	Size	Qty
1	TS-1503031	Hex Socket Cap Screw	M6x12	6
2	TS-2361061	Lock Washer	M6	10
3	TS-1550041	Flat Washer	M6	2
4	PM2700-304	Dust Deflector		1
5	PM2700-305A	Spindle Nut	M40x2.5p	1
6	PM2700-306	Retaining Ring	STW-40	1
7	TS-2246202	Button Head Socket Screw	M6x20	4
8	PM2700-308N	Shaft Top Bearing Cover		1
9	BB-6008VV	Bearing	6008VV	2
10	PM2700-310N	Spindle Holder		1
11	PM2700-311	Key	8x7x35	1
12	PM2700-312N	Quill		1
	PM2700-312QAN	Quill Complete Assembly (index #2, 6-16, 50-52)		1
13	PM2700-313	Spindle Pulley		1
15	PM2700-315	Locking Washer	M25	1
16	PM2700-316	Locking Nut	M25-1.5P	1
17	PM2700-317	Draw Bar		1
18	PM2700-318	Spindle Housing		1
19	PM2700-319	Belt (3HP / 5HP)	230J	1
20	PM2700-320	Motor Pulley		1
21	TS-1523021	Socket Set Screw	M6x8	4
22	TS-1490031	Hex Cap Screw	M8x20	4
23	TS-2361081	Lock Washer	M8	4
24	TS-1550061	Flat Washer	M8	4
25	PM2700-325	Motor	3HP, 230V, 1Ph	1
	PM2700-325A	Motor	5HP, 230V, 1Ph	1
	PM2700-325B	Motor	5HP, 230/460V, 3Ph	1
	PM2700-325CS	Centrifugal Switch (not shown)		1
	PM2700-325FC	Fan Cover (not shown)		1
	PM2700-325MF	Motor Fan (not shown)		1
	PM2700-325SC	Starting Capacitor (not shown) for 3HP, 1PH	600MFD, 125V	1
	PM2700-325RC	Running Capacitor (not shown) for 3HP, 1PH	40µF, 125V	1
	PM2700-325ASC	Starting Capacitor (not shown) for 5HP, 1PH	400MFD, 250V	1
	PM2700-325ARC	Running Capacitor (not shown) for 5HP, 1PH	35µF, 450V	1
26	PM2700-326	Key	5x5x60	1
27	PM2700-327	Strain Relief Bushing	3HP, 1Ph; 5HP, 3Ph	1
27-1	PM2700-327-1	Strain Relief Bushing	5HP, 1Ph	2
28	PM2700-328	Retaining Ring	STW-25	1
29	PM2700-329	Washer	M25	1
30	PM2700-330	Shaft		1
31	PM2700-331	Motor Mount		1
32	PM2700-332	Adjustment Bolt		1
33	TS-1550111	Flat Washer	M20	1
34	PM2700-334	Retaining Ring	STW-20	1
35	TS-2361101	Lock Washer	M10	1
36	TS-2239551	Socket Head Cap Screw	M10x55	1
37	PM2700-337	Connector		1
38	PM2700-338	Pin	Ø3 x 20	1
39	PM2700-339	Rod		1
40	PM2700-340	Spring		1
41	PM2700-341	Knob		1
42	PM2700-342	Retaining Ring	STW-15	2
43	PM2700-343	Flat Washer	M15	2
44	PM2700-344	Connector		1
45	PM2700-345	Shaft		1

Frame and Motor – Assembly Drawing

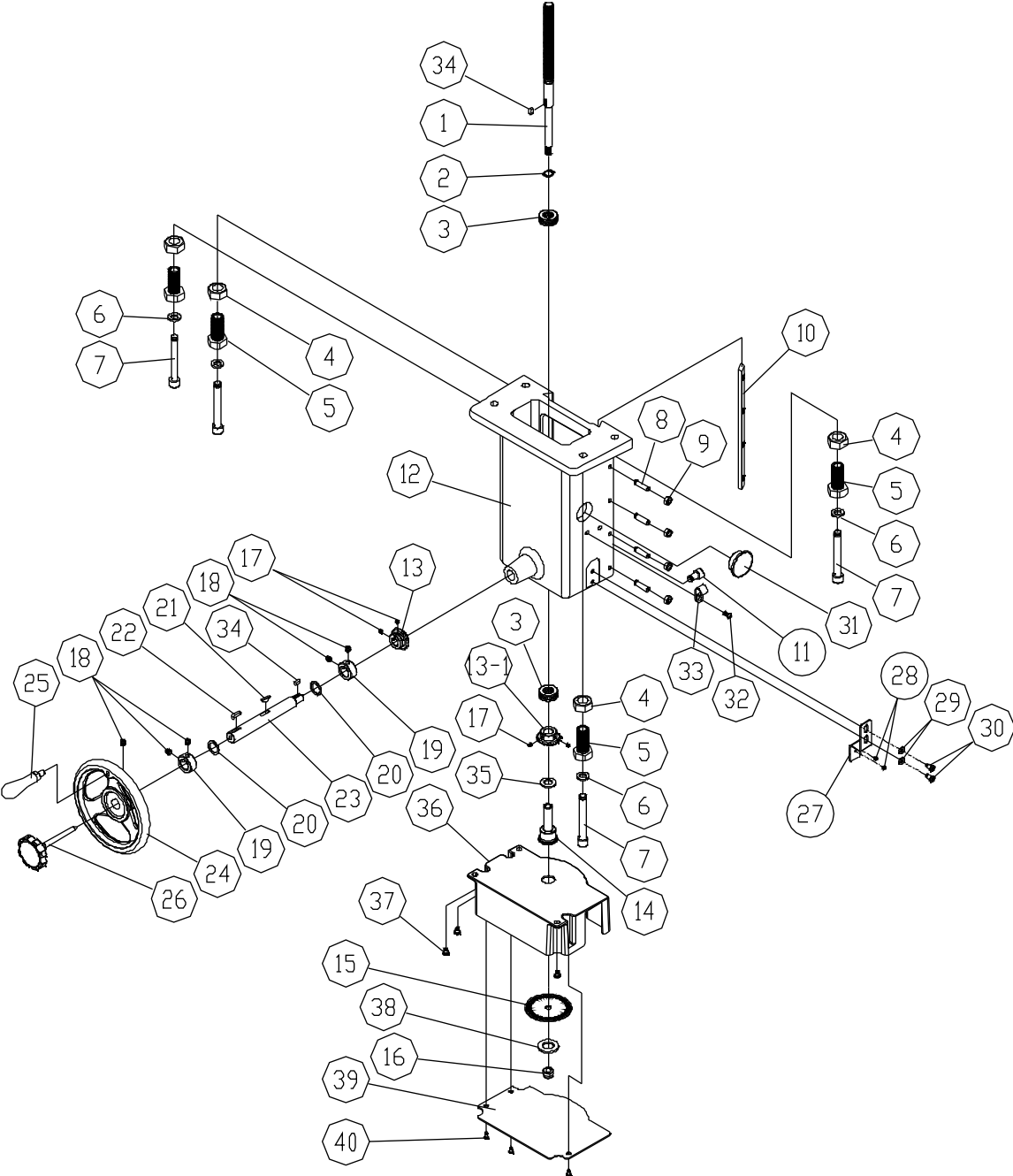
Index No.	Part No.	Description	Size	Qty
46	PM2700-346	Hex Bushing		1
47	TS-1540071	Hex Nut	M10	1
48	PM2700-348	Belt Tension Handle		1
49	PM2700-349	Spindle Nut Wrench		1
50	PM2700-350	Upper Bushing		1
51	PM2700-351	Wave Washer		1
52	PM2700-352	Lower Bushing		1



Elevator – Parts List

Index No.	Part No.	Description	Size	Qty
1	PM2700-501	Lead Screw		1
2	PM2700-342	Retaining Ring	STW-15	1
3	PM2700-503	Thrust Bearing	51202	2
4	PM2700-504	Hex Nut	M20-1.5P	4
5	PM2700-505	Adjusting Bolt		4
6	TS-2361121	Lock Washer	M12	4
7	TS-1506141	Socket Head Cap Screw	M12x90	4
8	PM2700-508	Socket Set Screw	M8x30	4
9	TS-1540061	Hex Nut	M8	4
10	PM2700-510	Gib		1
11	TS-1505021	Socket Head Cap Screw	M10x20	1
12	PM2700-512	Housing		1
13	PM2700-513	Right Worm Gear		1
13-1	PM2700-513-1	Left Worm Gear		1
14	PM2700-514	Bushing		1
15	PM2700-515	Sensor Plate		1
16	TS-2342102	Nylon Insert Lock Nut	M10-1.25P	1
17	TS-1522011	Socket Set Screw	M5x6	4
18	TS-0270021	Socket Set Screw	5/16"-18x5/16"	5
19	PM2700-519	Fixing Ring		2
20	PM2700-520	Washer	M19	2
21	PM2700-521	Woodruff Key		1
22	PM2700-522	Key	5x5x20	1
23	PM2700-523	Shaft		1
24	PM2000-202	Hand Wheel		1
25	PM2700-525	Handle		1
26	PM2700-526	Knob		1
27	PM2700-527	Bracket		1
28	PM2700-528	Tapping Screw	M3-1.06Px6	2
29	TS-2361061	Lock Washer	M6	2
30	TS-1534042	Phillips Pan Head Machine Screw	M6x12	2
31	PM2700-531	Cap		1
32	PM2700-532	Round Head Screw	M4x8	1
33	PM2700-533	Cord Clamp		1
34	PM2700-534	Key	5x5x12	2
35	PM2700-535	Flat Washer	M10	1
36	PM2700-536	Cover		1
37	PM2700-537	Slotted Round Head Machine Screw	M6-1.0P x 12	3
38	PM2700-538	Flat Washer		1
39	PM2700-539	Plate		1
40	PM2700-540	Slotted Round Head Machine Screw	M6-1.0P x 25	3

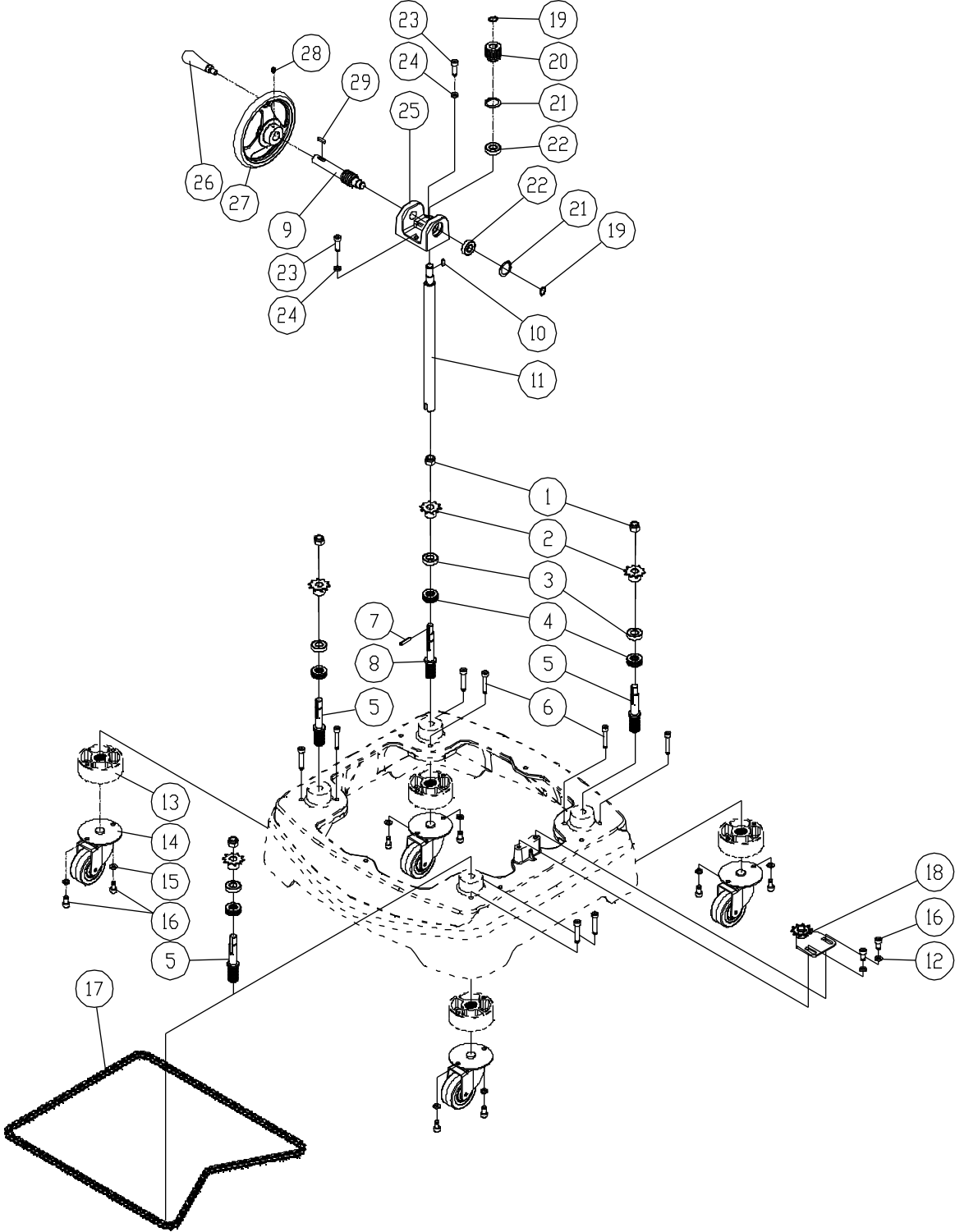
Elevator – Assembly Drawing



Caster Assembly – Parts List

Index No.	Part No.	Description	Size	Qty
1	TS-2342141	Nylon Insert Lock Nut	M14	4
2	PM2700-602	Sprocket		4
3	BB-6002ZZ	Ball Bearing	6002ZZ	4
4	PM2700-503	Thrust Bearing	51202	4
5	PM2700-605	Shaft		3
6	TS-1504101	Socket Head Cap Screw	M8x50	8
7	PM2700-217	Spring Pin	Ø5 x 32	1
8	PM2700-608	Lead Screw Shaft		1
9	PM2700-609	Gear Shaft		1
10	PM2700-610	Key	4x4x16	1
11	PM2700-611	Lead Shaft		1
12	TS-1550061	Flat Washer	M8	2
13	PM2700-613	Elevating Block		4
14	PM2700-614	Caster		4
15	TS-2361081	Lock Washer	M8	8
16	TS-1504041	Socket Head Cap Screw	M8x20	10
17	PM2700-617	Chain		1
18	PM2700-618	Sprocket Bracket		1
19	PM2700-342	Retaining Ring	STW-15	2
20	PM2700-620	Gear		1
21	PM2700-621	Retaining Ring	RTW-32	2
22	BB-6002ZZ	Ball Bearing	6002ZZ	2
23	TS-1504061	Socket Head Cap Screw	M8x30	2
24	TS-1550061	Flat Washer	M8	2
25	PM2700-625	Gear Housing		1
26	PM2700-626	Handle		1
27	PM2000-202	Hand Wheel		1
28	TS-0270021	Socket Set Screw	5/16" - 18x5/16"	1
29	PM2700-522	Key	5x5x20	1

Caster Assembly Drawing

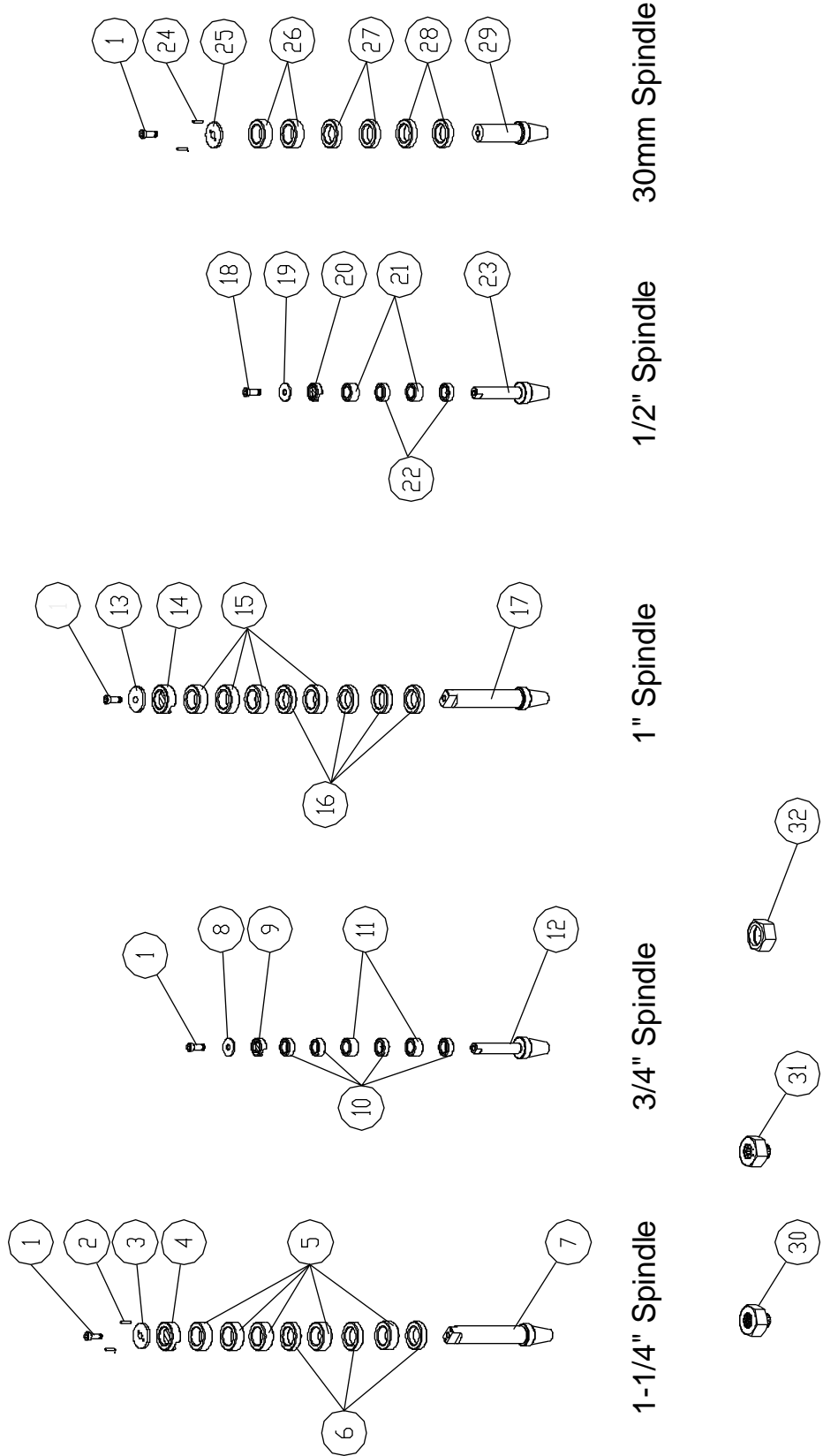


Spindle Assembly – Parts List

Index No.	Part No.	Description	Size	Qty
1	TS-1505031	Socket Head Cap Screw	M10x25	4
2	PM2700-702	Pin		2
3	PM2700-703	Special Washer		1
4	PM2700-704	Keyed Collar		1
5	PM2700-705	Collar	I.D. 1-1/4" x 3/4"T	5
6	PM2700-706	Collar	I.D. 1-1/4" x 1/2"T	3
7	PM2700-707	Spindle	1-1/4"	1
	PM2700-707A	Spindle Assembly (#1 thru #7, #32)	1-1/4"	1
8	PM2700-708	Special Washer		1
9	PM2700-709	Keyed Collar		1
10	PM2700-710	Collar	I.D. 3/4" x 1/2"T	4
11	PM2700-711	Collar	I.D. 3/4" x 3/4"T	2
12	PM2700-712	Spindle	3/4"	1
	PM2700-712A	Spindle Assembly (#1, #8 thru #12, #32)	3/4"	1
13	PM2700-713	Special Washer		1
14	PM2700-714	Keyed Collar		1
15	PM2700-715	Collar	I.D. 1" x 3/4"T	4
16	PM2700-716	Collar	I.D. 1" x 1/2"T	4
17	PM2700-717	Spindle	1"	1
	1791205	Spindle Assembly (#1, #13 thru #17, #32)*	1"	1
18	TS-1504051	Socket Head Cap Screw	M8x25	1
19	PM2700-719	Special Washer		1
20	PM2700-720	Keyed Collar		1
21	PM2700-721	Collar	I.D. 1/2" x 3/4"T	2
22	PM2700-722	Collar	I.D. 1/2" x 1/2"T	2
23	PM2700-723	Spindle	1/2"	1
	1791204	Spindle Assembly (#18 thru #23, #32)*	1/2"	1
24	PM2700-724	Pin		2
25	PM2700-725	Special Washer		1
26	PM2700-726	Collar	M30 x 20mmT	2
27	PM2700-727	Collar	M30 x 8mmT	2
28	PM2700-728	Collar	M30 x 10mmT	2
29	PM2700-729	Spindle	M30	1
	1791206	Spindle Assembly (#1, #24 thru #29, #32)*	M30	1
30	1791207	Collet*	1/4"	1
31	1791208	Collet*	1/2"	1
32	PM2700-305A	Spindle Nut	M40x2.5p	1

* Optional accessory

Spindle Assembly Drawing-

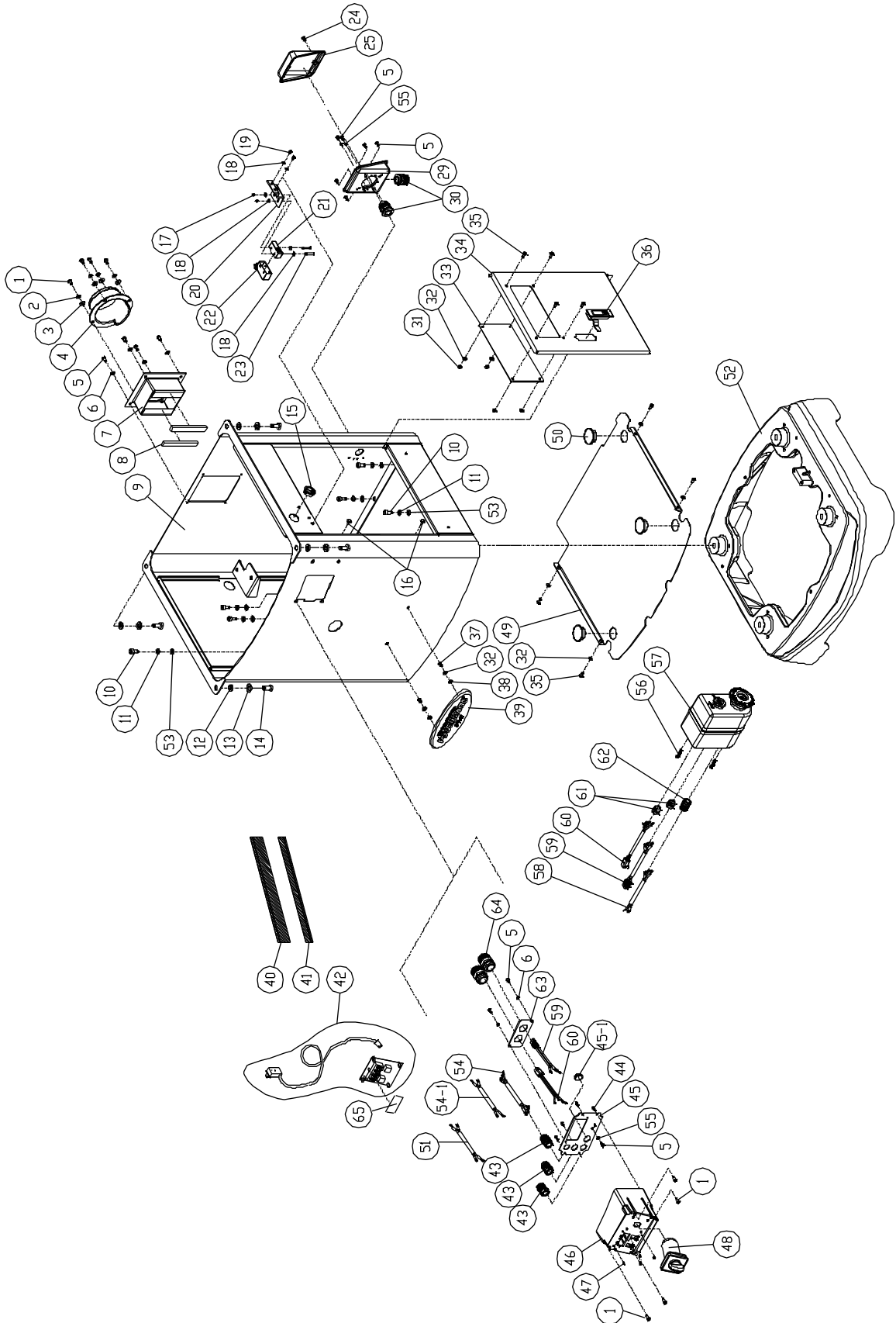


Cabinet and Base – Parts List

Index No.	Part No.	Description	Size	Qty
1	TS-1533052	Phillips Pan Head Machine Screw	M5x16	8
2	TS-2361051	Lock Washer	M5	4
3	TS-1550031	Flat Washer	M5	4
4	PM2700-404	Dust Chute		1
5	TS-1533032	Phillips Pan Head Machine Screw	M5x10	13
6	TS-2361051	Lock Washer	M5	6
7	PM2700-407	Dust Deflector		1
8	PM2700-408	Padding		2
9	PM2700-409	Cabinet		1
10	TS-1504041	Socket Head Cap Screw	M8x20	6
11	TS-2361081	Lock Washer	M8	6
12	TS-1550071	Flat Washer	M10	4
13	TS-2361101	Lock Washer	M10	4
14	TS-1491031	Hex Cap Screw	M10x25	4
15	PM2700-415	Strain Relief		1
16	PM2700-416	Bumper		2
17	TS-1541001	Nylon Insert Lock Nut	M4	2
18	TS-1550021	Flat Washer	M4	6
19	TS-2284082	Pan Head Screw	M4x8	2
20	PM2700-420	Bracket		1
21	PM2700-421	Limit Switch		1
22	PM2700-422	Limit Switch Cover		1
23	TS-2284352	Pan Head Screw	M4x35	2
24	TS-0810012	Slotted Round Head Machine Screw	#10-24x1/4"	1
25	PM2700-425	Junction Box Cover		1
29	PM2700-429	Junction Box		1
30	PM2700-430	Strain Relief		2
31	TS-2311061	Hex Nut	M6	4
32	TS-2361061	Lock Washer	M6	10
33	PM2700-433	Window		1
34	PM2700-434	Door		1
35	TS-1534042	Phillips Pan Head Machine Screw	M6x12	8
36	PM2700-436	Door Latch		1
37	TS-0813022	Slotted Round Head Machine Screw	1/4"-20x3/8"	2
38	TS-0680021	Flat Washer	1/4"	2
39	PM2000-105	POWERMATIC Name Plate		1
40	PM2700-440	Wide Stripe		2
41	PM2700-441	Narrow Stripe		2
42	PM2700-442	DRO Sensor Assembly		1
	PM2700-442SC	Sensor Cord w/ Sensor		1
	PM2700-442ICB	DRO IC Board		1
43	PM2700-443	Strain Relief	3HP, 1Ph; 5HP, 3Ph	3
43-1	PM2700-443-1	Strain Relief (not shown)	5HP, 1Ph	4
44	PM2700-444	Tapping Screw	M4x12	4
45	PM2700-445N	Switch Plate		1
45-1	PM2700-445-1	Cap		1
46	PM2700-446	DRO Cover		1
47	TS-1531012	Phillips Pan Head Machine Screw	M3x6	4
48	PM2700-448	Forward/Reverse Switch	3HP/1Ph	1
	PM2700-448A	Forward/Reverse Switch	5HP/1Ph	1
	PM2700-448B	Forward/Reverse Switch	5HP/3Ph	1
49	PM2700-449	Plate		1
50	PM2700-450	Cap		3
51	PM2700-451	Limit Switch Cord		1
52	PM2700-452	Base		1
53	TS-1550061	Flat Washer	M8	6

Index No.	Part No.	Description	Size	Qty
54	PM2700-454	Motor Cable 3HP, 1Ph	14AWG x 4C	1
	PM2700-454A	Motor Cable 5HP, 1Ph	12AWG x 3C	1
54-1	PM2700-454-1A	Motor Cable 5HP, 1Ph	12AWG x 2C	1
	PM2700-454B	Motor Cable 5HP, 3Ph	14AWG x 4C	1
55	PM2700-455	Star Washer	M5x10	3
56	PM2700-113	Tapping Screw	M5-2.12Px25	2
57	PM2700-114	Magnetic Switch	3HP, 230V, 1Ph	1
	PM2700-114A	Magnetic Switch	5HP, 230V, 1Ph	1
	PM2700-114B	Magnetic Switch	5HP, 230V, 3Ph	1
	PM2700-114C	Magnetic Switch	5HP, 460V, 3Ph	1
58	PM2700-115	Power Cord	3HP, 1Ph 14AWGx3C	1
	PM2700-115A	Power Cord	5HP, 1Ph 12AWGx3C	1
	PM2700-115B	Power Cord	5HP, 3Ph 14AWGx4C	1
59	PM2700-159	Cable & Connector, (KST Male & Female)	3HP 1PH, 14AWGx3C	1
	PM2700-159A	Cable & Connector, (KST Male & Female)	5HP 1PH, 12AWGx3C	1
	PM2700-159B	Cable & Connector, (KST Male & Female)	5HP 3PH, 14AWGx4C	1
60	PM2700-160	Cable & Connector, (2000 Male & Female)	3HP 1PH, 18AWGx4C	1
	PM2700-160A	Cable & Connector, (2000 Male & Female)	5HP 1PH, 18AWGx4C	1
	PM2700-160B	Cable & Connector, (2000 Male & Female)	5HP 3PH, 18AWGx4C	1
61	PM2700-461	Strain Relief	KSS SR-7R3	2
62	PM2700-462	Strain Relief	KSS PG11	1
63	PM2700-463	Plate		1
64	PM2700-464	Strain Relief	AVC MG25A-16	2
65	PM2700-465	PC Sticker		1

Cabinet and Base



Wiring Diagrams

3HP/5HP, 230V, 1Phase

