

125BT

Kawasaki TJ027D-AC55

USA only

Spare parts

Ersatzteile

Pièces détachées

Reserve onderdelen

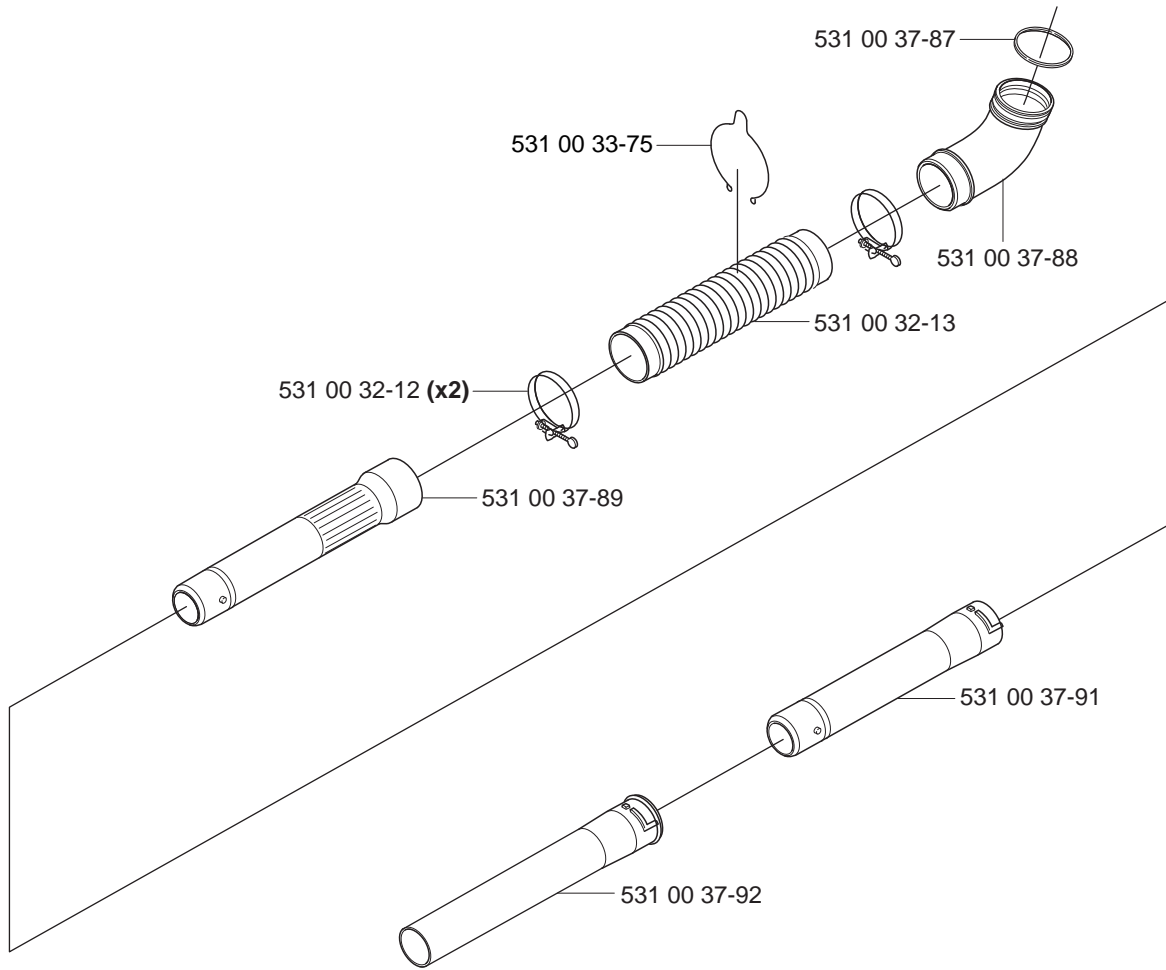
Repuestos

Reservdelar

PART NUMBER	SQUARE	NOTE	PART NUMBER	SQUARE	NOTE	PART NUMBER	SQUARE	NOTE	PART NUMBER	SQUARE	NOTE
503 22 66-01	C		531 00 96-03	F	N						
503 23 50-11	F		531 00 96-04	F	N						
531 00 32-12	A		531 00 96-05	F	N						
531 00 32-13	A		531 00 96-06	L	N						
531 00 32-78	F		531 00 96-07	L	N						
531 00 32-79	F		531 00 96-08	J	N						
531 00 33-65	H		531 00 96-09	J	N						
531 00 33-75	A		531 00 96-10	L	N						
531 00 37-27	C		531 00 96-11	L	N						
531 00 37-87	A		531 00 96-12	L	N						
531 00 37-88	A		531 00 96-13	J	N						
531 00 37-89	A		531 00 96-14	L	N						
531 00 37-91	A		531 00 96-15	L	N						
531 00 37-92	A		531 00 96-16	L	N						
531 00 37-98	C		531 00 96-17	L	N						
531 00 37-99	C		531 00 96-18	L	N						
531 00 44-33	G		531 00 96-19	L	N						
531 00 44-69	B		531 00 96-20	J	N						
531 00 44-70	B		531 00 96-21	L	N						
531 00 44-71	B		531 00 96-22	L	N						
531 00 44-72	B		531 00 96-23	L	N						
531 00 44-73	B		531 00 96-24	L	N						
531 00 44-74	B		531 00 96-25	L	N						
531 00 44-75	B		531 00 96-26	L	N						
531 00 44-77	B		531 00 96-27	L	N						
531 00 95-01	C		531 00 96-28	L	N						
531 00 95-02	H		531 00 96-29	L	N						
531 00 95-03	B		531 00 96-30	J	N						
531 00 95-04	B		531 00 96-31	L	N						
531 00 95-06	M		531 00 96-32	L	N						
531 00 95-07	M		531 00 96-33	L	N						
531 00 95-08	M		531 00 96-34	L	N						
531 00 95-10	M		531 00 96-35	J	N						
531 00 95-17	D		531 00 96-36	L	N						
531 00 95-21	E		531 00 96-37	J	N						
531 00 95-22	E		531 00 96-38	J	N						
531 00 95-27	E		531 00 96-39	K	N						
531 00 95-39	F		531 00 96-40	K	N						
531 00 95-41	F		531 00 96-41	J	N						
531 00 95-50	J		531 00 96-42	K	N						
531 00 95-59	G		531 00 96-43	K	N						
531 00 95-60	G		531 00 96-44	J	N						
531 00 95-70	H		531 00 96-45	G	N						
531 00 95-71	H		531 00 96-46	G	N						
531 00 95-76	B	N	531 00 96-47	G	N						
531 00 95-77	C	N	531 00 96-48	G	N						
531 00 95-78	C	N	531 00 96-49	H	N						
531 00 95-79	C	N	531 00 96-50	H	N						
531 00 95-80	C	N	531 00 96-51	H	N						
531 00 95-81	C	N	531 00 96-52	H	N						
531 00 95-82	C	N	531 00 96-53	H	N						
531 00 95-83	C	N	531 00 96-54	H	N						
531 00 95-84	G	N	531 00 96-55	B	N						
531 00 95-85	G	N	531 00 96-56	B	N						
531 00 95-86	D	N	531 00 96-57	L	N						
531 00 95-87	D	N	724 12 91-01	H							
531 00 95-88	D	N	725 23 68-71	M							
531 00 95-89	D	N	731 23 14-01	J							
531 00 95-90	D	N	732 25 14-01	C							
531 00 95-91	D	N	732 25 16-01	CM							
531 00 95-92	D	N	734 11 54-41	CM							
531 00 95-93	E	N	738 21 01-10	D	N						
531 00 95-94	E	N									
531 00 95-95	E	N									
531 00 95-96	D	N									
531 00 95-97	D	N									
531 00 95-98	F	N									
531 00 95-99	F	N									
531 00 96-01	F	N									
531 00 96-02	F	N									

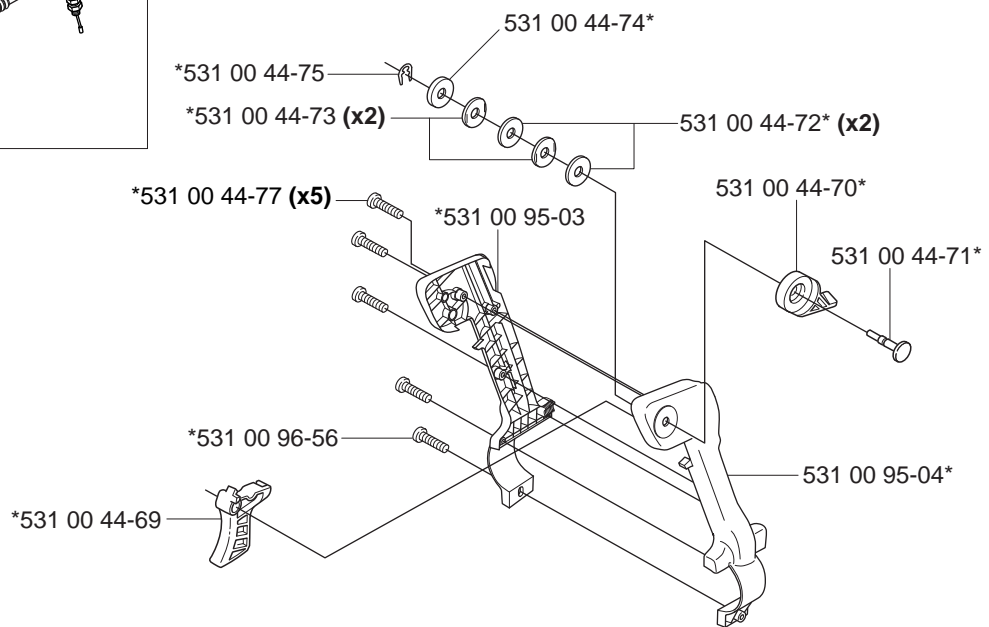
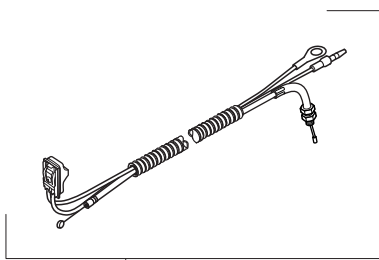
N = New part, Neues teil,
Nouvelle piece, Nueva pieza
Ny detalj

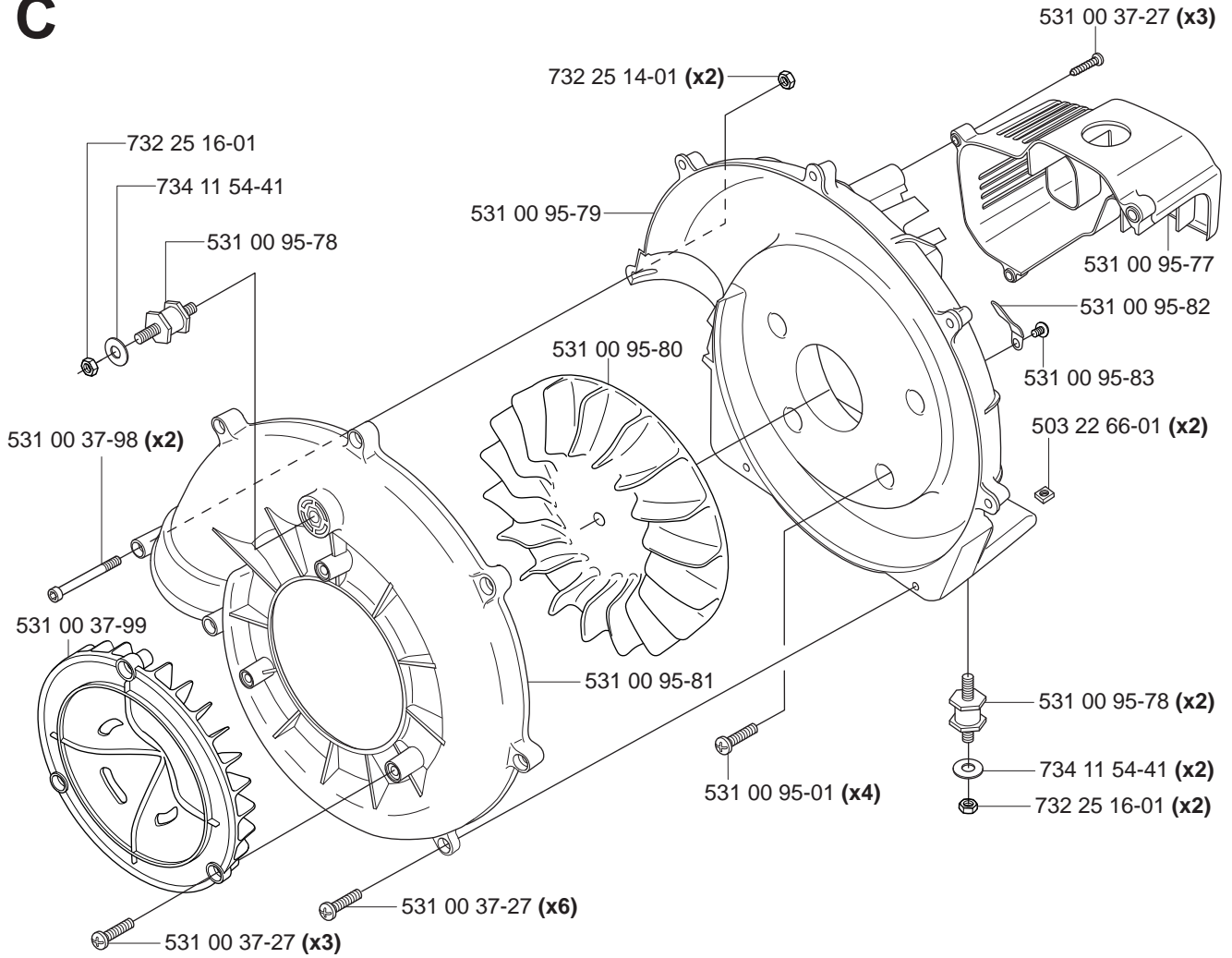
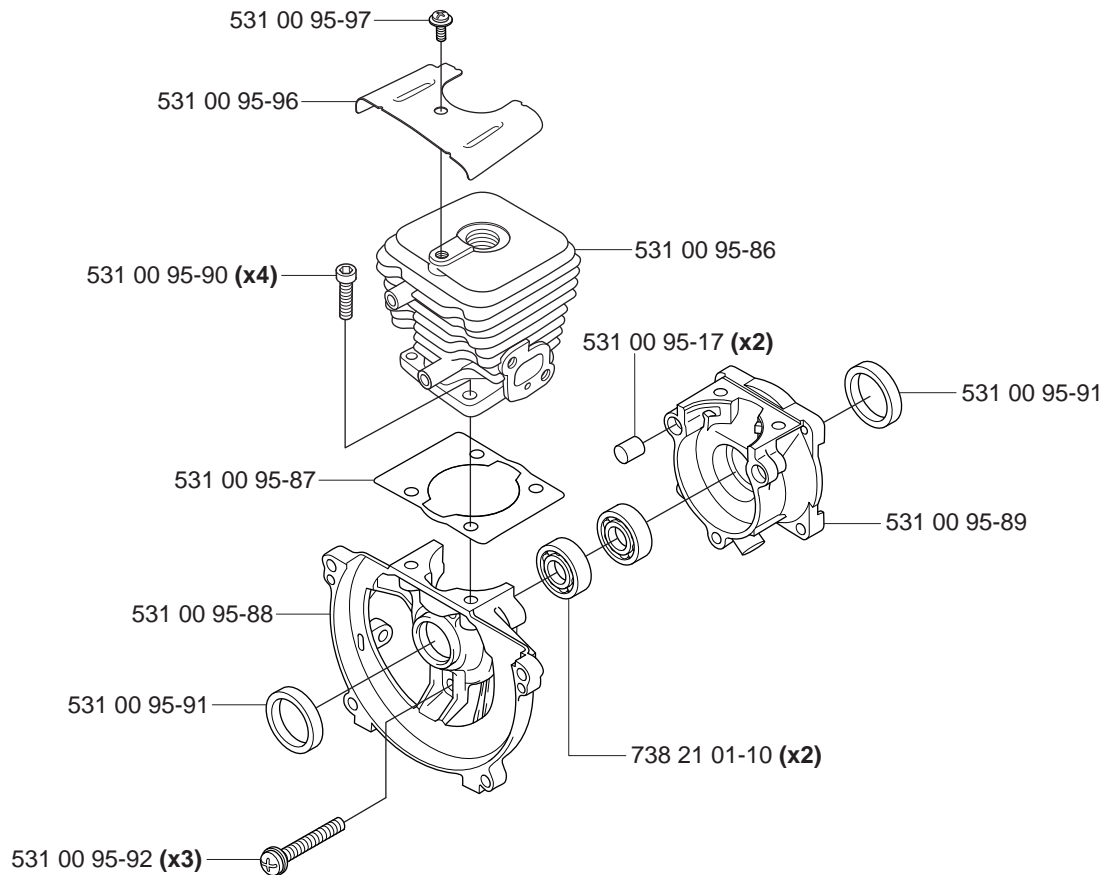
A



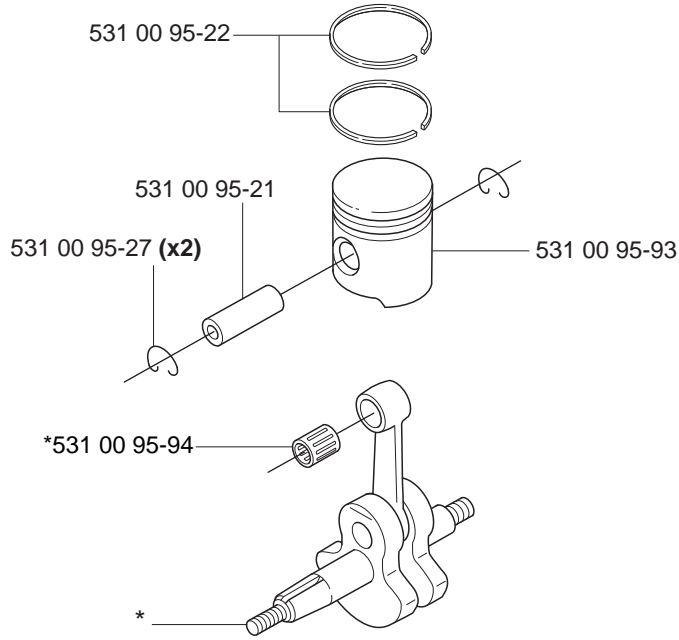
B

*compl 531 00 95-76

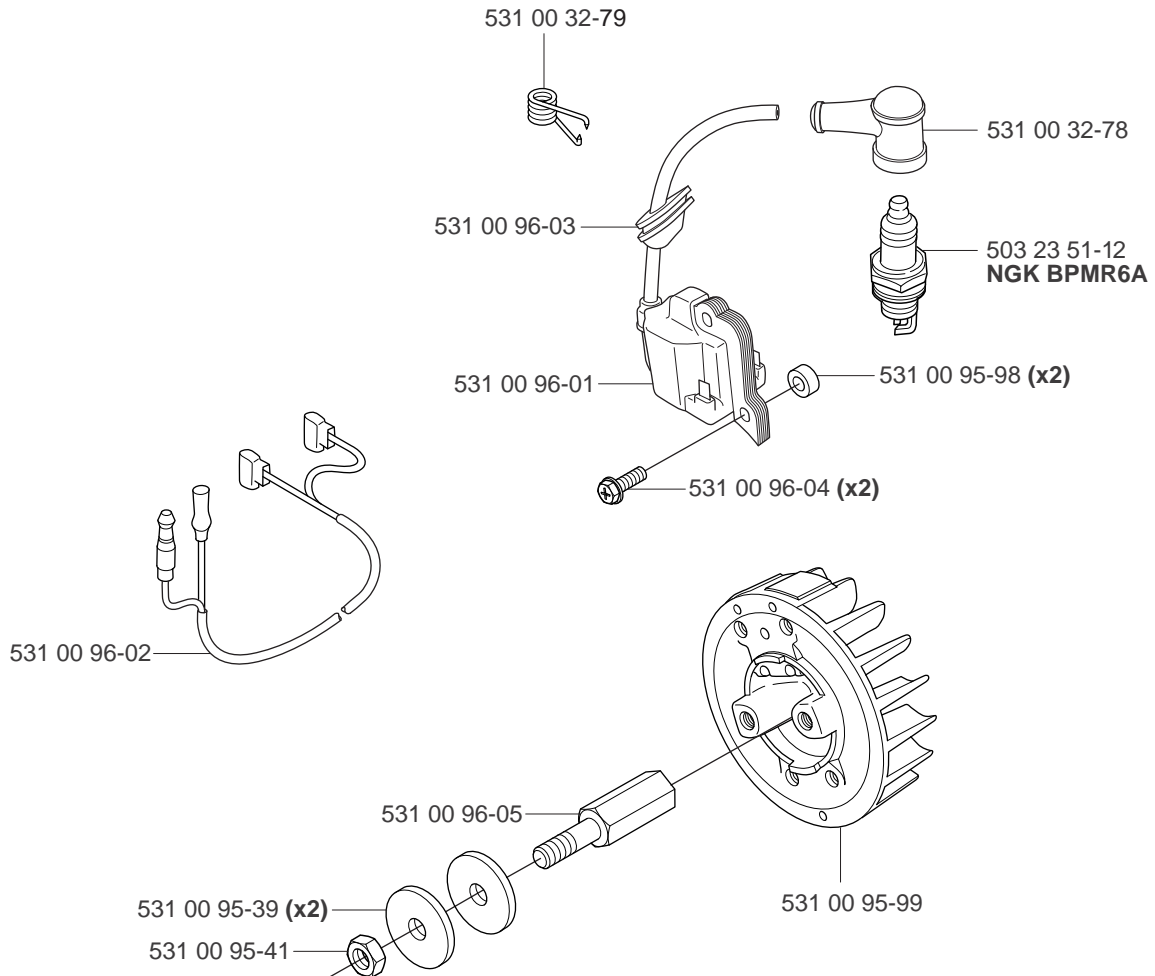


C**D**

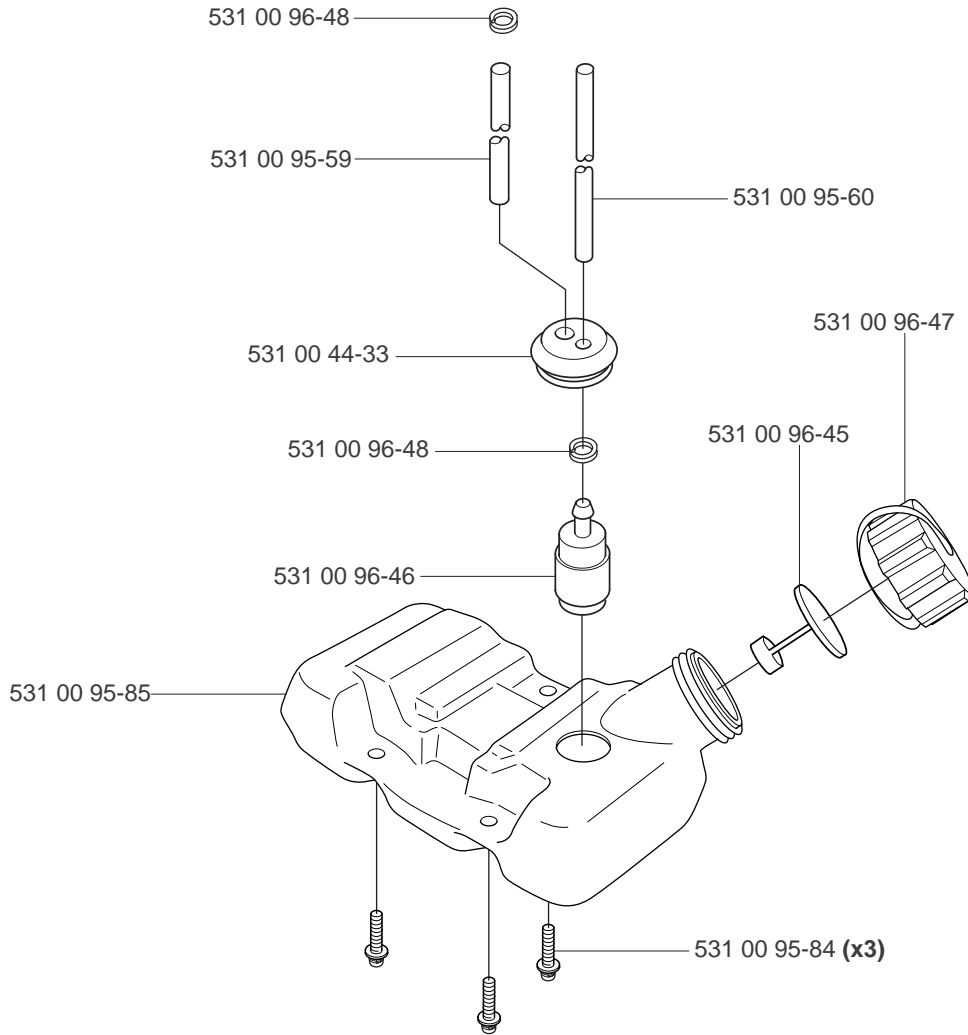
E *compl 531 00 95-95



F

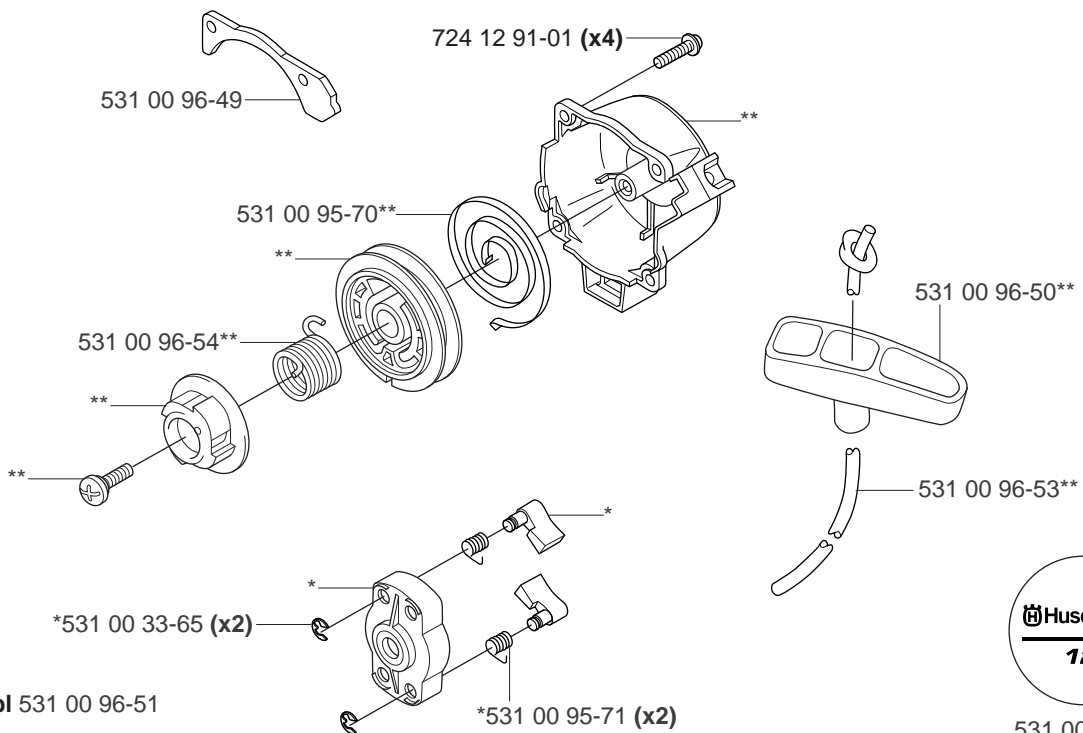


G



H

****compl 531 00 96-52**

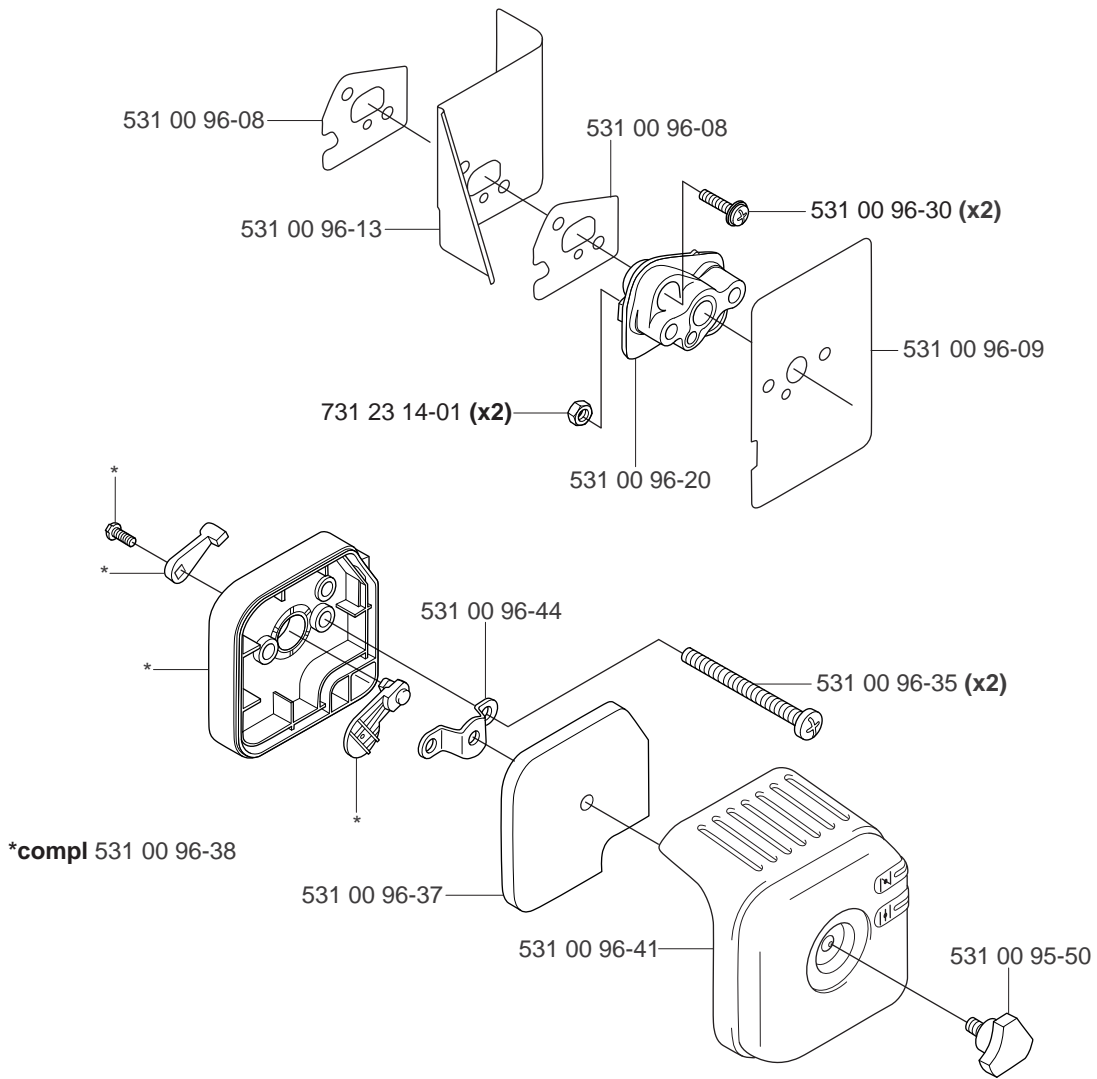


***compl 531 00 96-51**

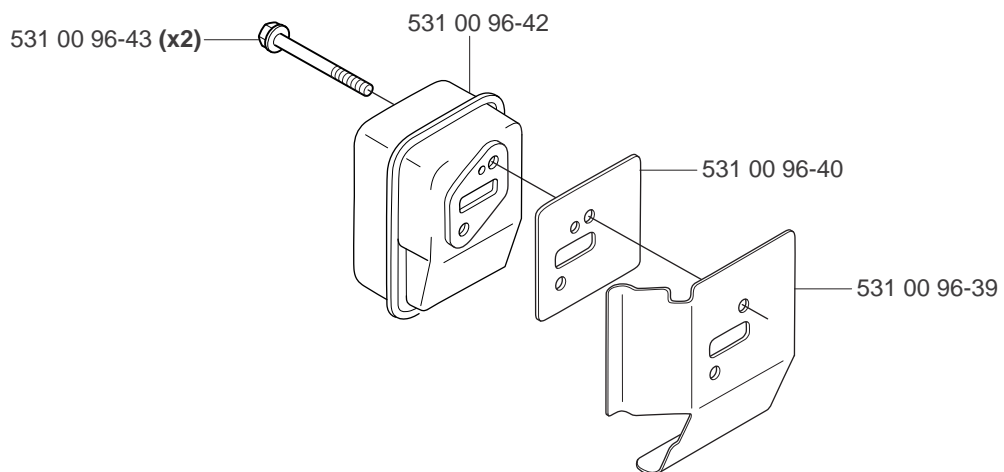


531 00 95-02

J



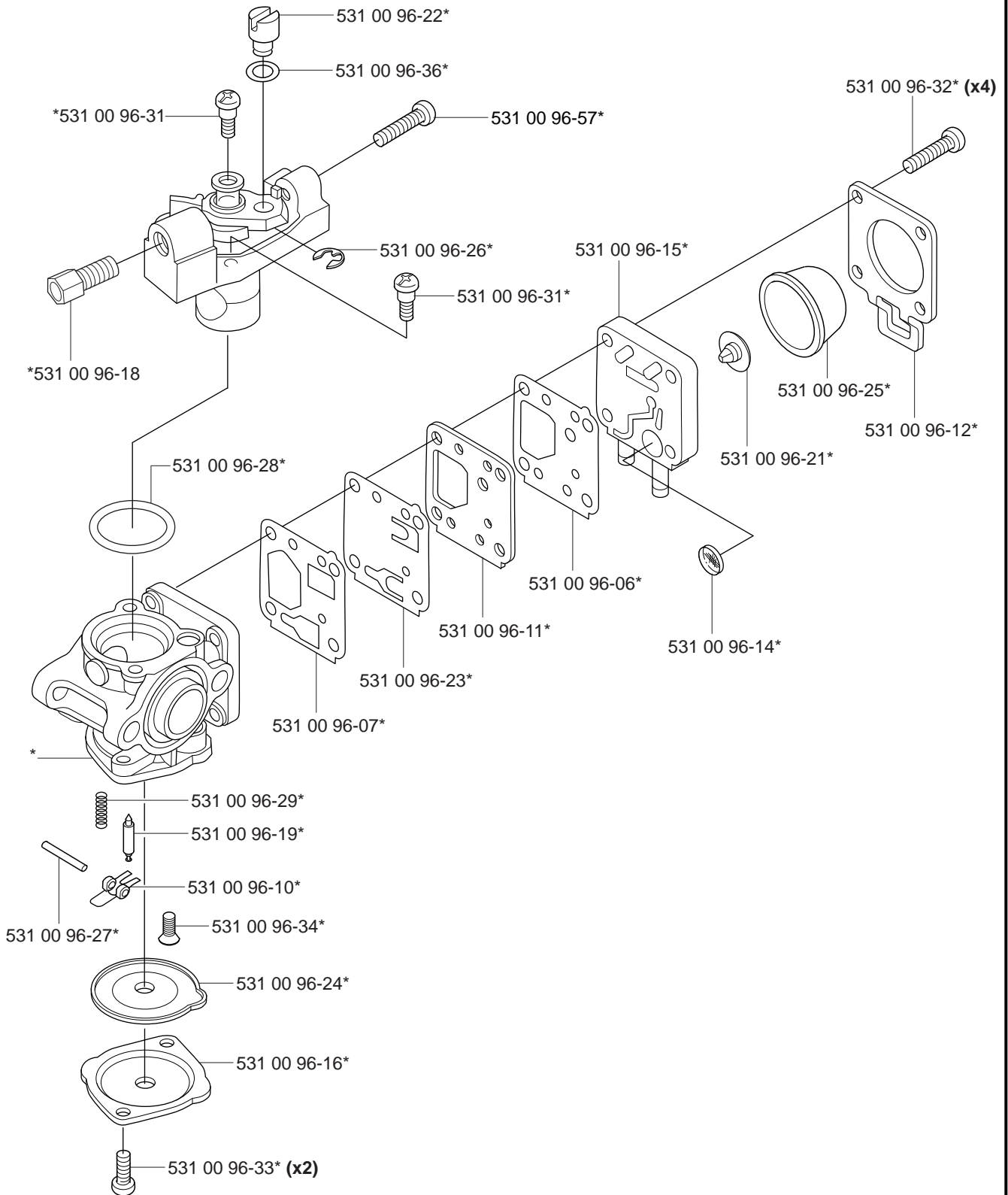
K



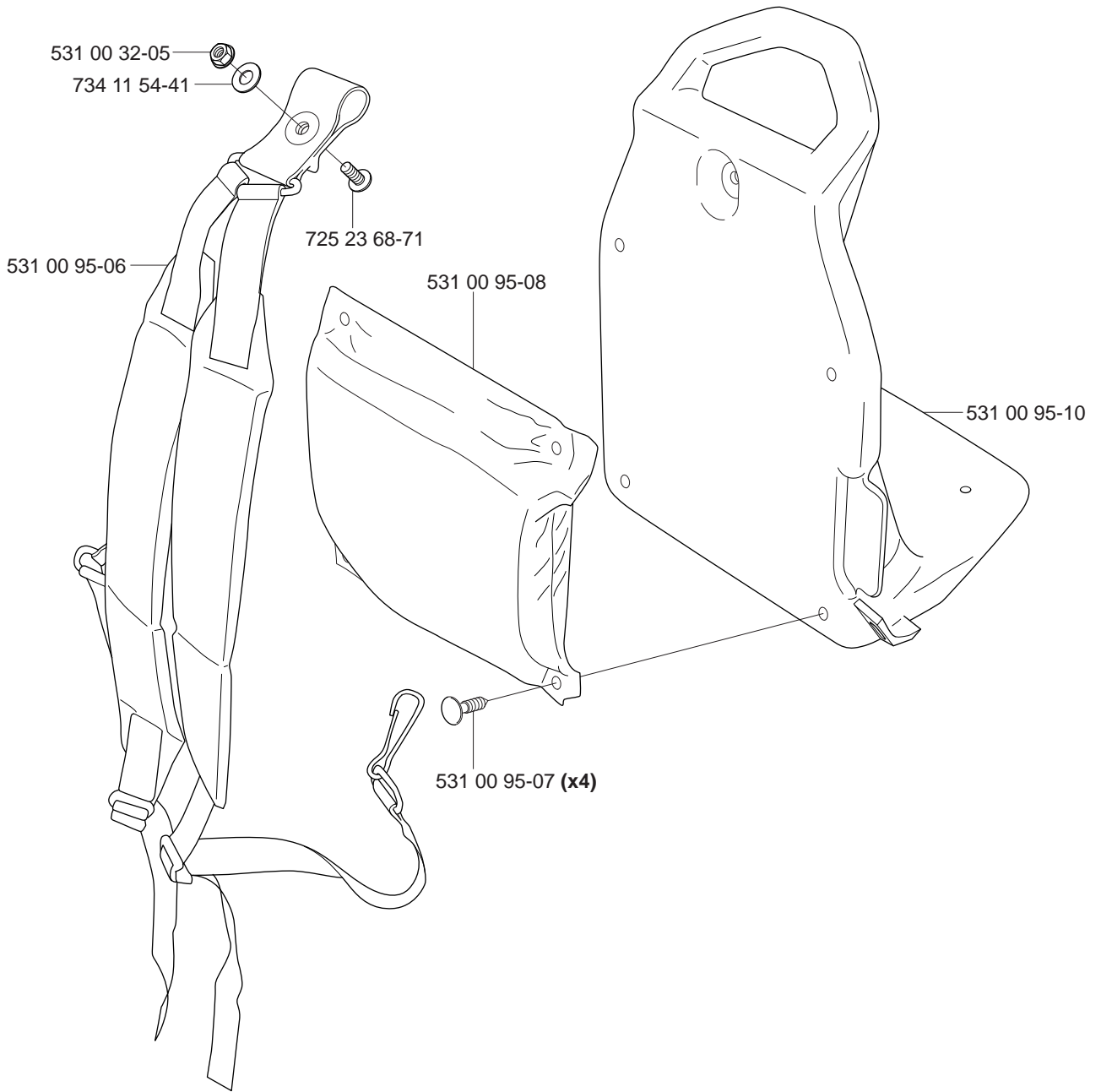


*compl 531 00 96-17

TK Carburetor (TZ-11)



M



RECOMMENDED PARTS, ACCESSORIES, LUBRICANTS

125BT BLOWER

	<u>Item</u>	<u>Part Number</u>	<u>Description</u>
Normal Maintenance Parts	Air Filter, Element	531 00 96-37	
	Air Filter Cover	531 00 96-41	
	Fuel Filter	531 00 96-46	
	Start/Stop Switch	531 00 96-55	
	Ignition Module	531 00 96-01	
	Spark Plug	503 23 50-11	
	Starter Assy.	531 00 96-52	
	Recoil Spring	531 00 95-70	
	Starter Pawl	531 00 96-51	
	Starter Handle	531 00 96-50	
	Starter Rope	531 00 96-53	
	Fuel Cap	531 00 96-47	<i>With Breather Assembly</i>
	Engine Shroud	531 00 95-77	
	Elbow, Tube	531 00 37-88	
	Hose Band	531 00 32-12	
	Pipe, Flex	531 00 32-13	
	Tube, top	531 00 37-89	
	Tube, middle	531 00 37-91	
Tube- End	531 00 37-92		
	<u>Item</u>	<u>Part Number</u>	<u>Description</u>
Lubricants	XP Premium	610 00 00-85	XP Premium - 2.6 OZ (1 Gallon Mix)
		610 00 00-82	XP Premium - 6.4 oz. (2.5 Gallon mix)
	<u>Item</u>	<u>Part Number</u>	<u>Description</u>
Protective Apparel	Protective Glasses	531 30 00-11	Xtreme Protective Glasses
	Protective Gloves	531 30 02-70	Master Grip Gloves, Medium
		531 30 02-71	Master Grip Gloves, Large
		531 30 02-72	Master Grip Gloves, X-Large
	Hearing Protectors	505 66 53-04	Husqvarna Headband Hearing Protectors
505 66 53-78		Husqvarna Landscaper Radio Hearing Protectors - Digital FM	

125 BT

Part Number	Description	Square	Part Number	Description	Square
503 22 66-01	NUT	C	531 00 95-98	INSULATOR	F N
503 23 50-11	SPARK PLUG CJ7Y	F	531 00 95-99	FLYWHEEL	F N
531 00 32-12	CLAMP	A	531 00 96-01	COIL-ASSY-IGNITION	F N
531 00 32-13	FLEX TUBE	A	531 00 96-02	HARNESS	F N
531 00 32-78		F	531 00 96-03	GROMMET	F N
531 00 32-79	SPRING	F	531 00 96-04	BOLT, 4X20	F N
531 00 33-65	RETAINING RING	H	531 00 96-05	BOLT	F N
531 00 33-75	HOLDER	A	531 00 96-06	GASKET	L N
531 00 37-27	SCREW	C	531 00 96-07	GASKET	L N
531 00 37-87	O-RING	A	531 00 96-08	GASKET, INSULATOR	J N
531 00 37-88	PIPE	A	531 00 96-09	GASKET, CARBURETOR	J N
531 00 37-89	PIPE	A	531 00 96-10	LEVER	L N
531 00 37-91	PIPE	A	531 00 96-11	PLATE	L N
531 00 37-92	PIPE	A	531 00 96-12	PLATE	L N
531 00 37-98	SCREW	C	531 00 96-13	PLATE	J N
531 00 37-99	PROTECTOR	C	531 00 96-14	FILTER	L N
531 00 44-33	GROMMET	G	531 00 96-15	COVER	L N
531 00 44-69	LEVER	B	531 00 96-16	COVER	L N
531 00 44-70	LEVER	B	531 00 96-17	CARBURETOR-ASSY	L N
531 00 44-71	SHAFT	B	531 00 96-18	ADJUSTER-CABLE	L N
531 00 44-72	WASHER	B	531 00 96-19	VALVE-FLOAT	L N
531 00 44-73	WASHER	B	531 00 96-20	INSULATOR	J N
531 00 44-74	WASHER	B	531 00 96-21	VALVE-CHECK	L N
531 00 44-75	RETAINING RING	B	531 00 96-22	ARM,TJ027D-AC50	L N
531 00 44-77	SCREW	B	531 00 96-23	DIAPHRAGM	L N
531 00 95-01	SCREW	C	531 00 96-24	DIAPHRAGM	L N
531 00 95-02	DECAL	H	531 00 96-25	PUMP-PRIMING	L N
531 00 95-03	HANDLE	B	531 00 96-26	RING-SNAP	L N
531 00 95-04	HANDLE	B	531 00 96-27	PIN	L N
531 00 95-06	HARNESS	M	531 00 96-28	O-RING	L N
531 00 95-07	CLIP	M	531 00 96-29	SPRING	L N
531 00 95-08	PAD	M	531 00 96-30	SCREW	J N
531 00 95-10	FRAME	M	531 00 96-31	SCREW	L N
531 00 95-17	PIN	D	531 00 96-32	SCREW	L N
531 00 95-21	PISTON BOLT	E	531 00 96-33	SCREW	L N
531 00 95-22	PISTON RING	E	531 00 96-34	SCREW	L N
531 00 95-27	RETAINING RING	E	531 00 96-35	SCREW	J N
531 00 95-39	WASHER	F	531 00 96-36	WASHER	L N
531 00 95-41	NUT	F	531 00 96-37	ELEMENT-AIR-FILTER	J N
531 00 95-50	KNOB	J	531 00 96-38	CASE ASSY AIR FILTER	J N
531 00 95-59	HOSE	G	531 00 96-39	GASKET	K N
531 00 95-60	HOSE	G	531 00 96-40	GASKET	K N
531 00 95-70	SPRING	H	531 00 96-41	CAP AIR FILTER	J N
531 00 95-71	SPRING	H	531 00 96-42	MUFFLER-ASSY	K N
531 00 95-76	THROTTLE LEVER ASSY	B N	531 00 96-43	BOLT, 5X60	K N
531 00 95-77	COVER	C N	531 00 96-44	BAFFLE	J N
531 00 95-78	RUBBER	C N	531 00 96-45	BREATHER	G N
531 00 95-79	FAN CASE (R)	C N	531 00 96-46	FILTER-FUEL	G N
531 00 95-80	FAN	C N	531 00 96-47	CAP-ASSY-TANK	G N
531 00 95-81	FAN CASE (F)	C N	531 00 96-48	CLAMP	G N
531 00 95-82	CLIP	C N	531 00 96-49	PLATE	H N
531 00 95-83	TAPPING SCREW	C N	531 00 96-50	GRIP,STARTER-RECOIL	H N
531 00 95-84	SCREW	G N	531 00 96-51	PULLEY-STARTER	H N
531 00 95-85	FUEL TANK	G N	531 00 96-52	STARTER-RECOIL	H N
531 00 95-86	CYLINDER-ENGINE	D N	531 00 96-53	STARTER ROPE	H N
531 00 95-87	GASKET, CYLINDER	D N	531 00 96-54	SPRING, RECOIL	H N
531 00 95-88	CRANKCASE	D N	531 00 96-55		B N
531 00 95-89	CRANKCASE	D N	531 00 96-56		B N
531 00 95-90	BOLT	D N	531 00 96-57	SCREW	L N
531 00 95-91	SEAL-OIL	D N	724 12 91-01		H
531 00 95-92	SCREW-PAN-WSP-CROS	D N	725 23 68-71	BOLT FLANGE - M6X20	M
531 00 95-93	PISTON-ENGINE	E N	731 23 14-01	NUT	J
531 00 95-94	BEARING-SMALL END	E N	732 25 14-01	NUT	C
531 00 95-95	CRANKSHAFT-ASSY	E N	732 25 16-01	NUT FLANGE - M6	CM
531 00 95-96	SHROUD-ENGINE	D N	734 11 54-41	WASHER - 26X6.5X1.6	CM
531 00 95-97	SCREW-PAN-WSP	D N	738 21 01-10	BALL BEARING	D N