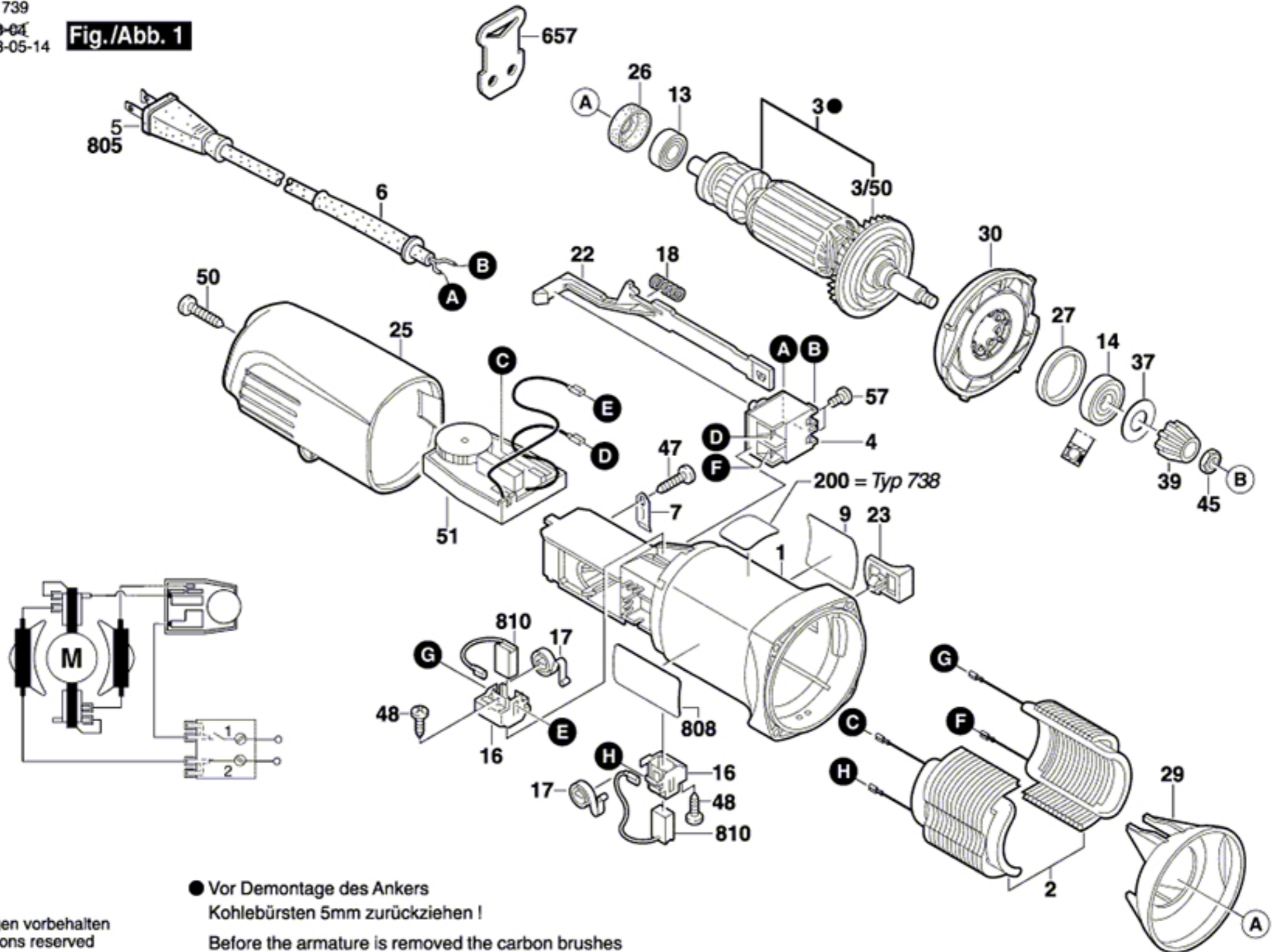


Fig./Abb. 1



- Vor Demontage des Ankers
 Kohlebürsten 5mm zurückziehen !
 Before the armature is removed the carbon brushes
 must be withdrawn by at least 5mm !

Änderungen vorbehalten
 Modifications reserved
 Modificaciones reserves
 Salvo modificaciones

0 601 250 739
 Stand } 03-09
 Issue } 12-10-18

Fig./Abb. 2

