

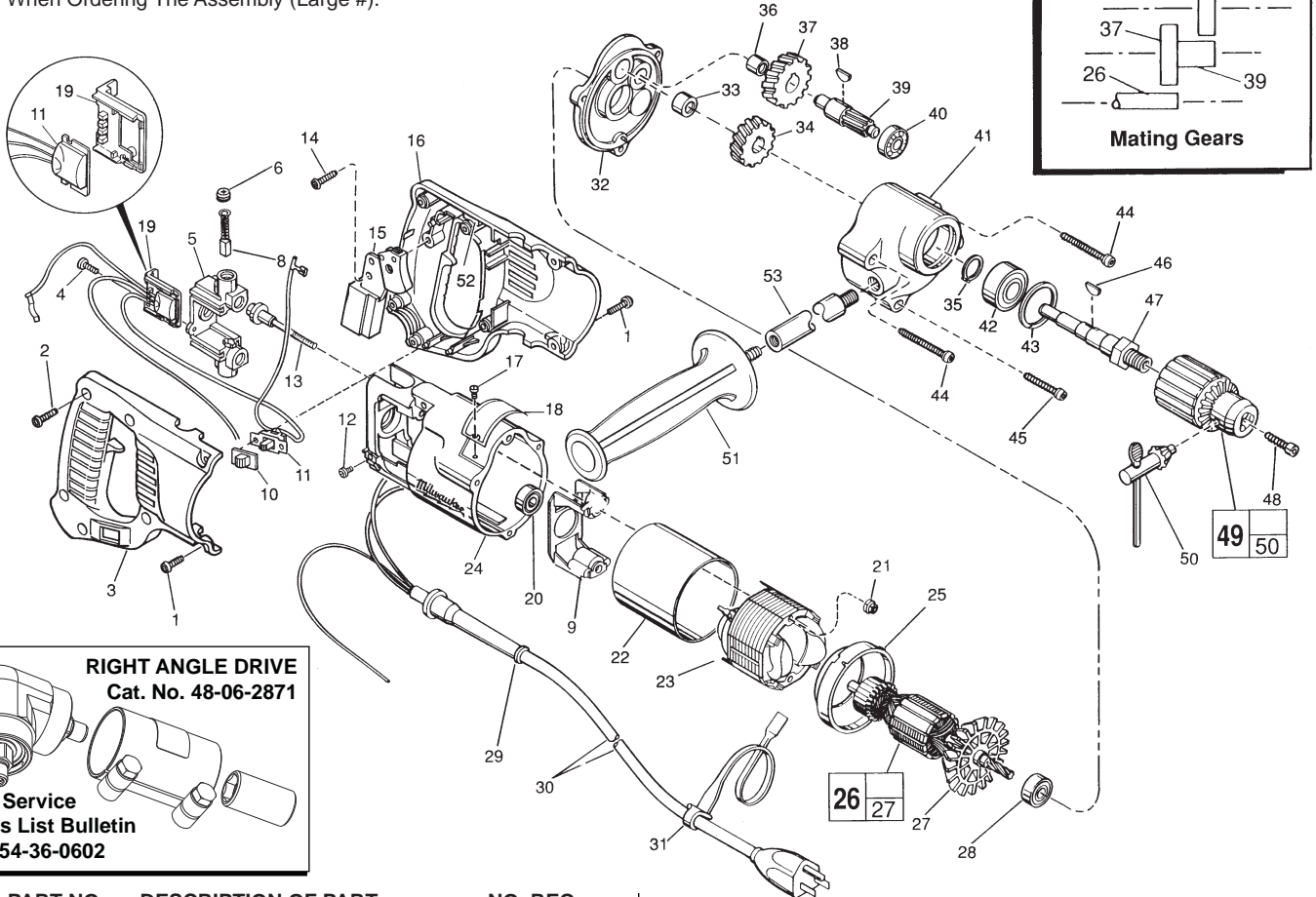


SERVICE PARTS LIST

BULLETIN NO.
54-08-1092

SPECIFY CATALOG NO. AND SERIAL NO. WHEN ORDERING PARTS		REVISED BULLETIN 54-08-1091	DATE Jan. 2013
1/2" REVERSING DRILL			
CATALOG NO. 1250-1	STARTING SERIAL NO. 459E	WIRING INSTRUCTION 58-01-0298	

EXAMPLE:
Component Parts (Small #) Are Included
When Ordering The Assembly (Large #).



RIGHT ANGLE DRIVE
Cat. No. 48-06-2871

See Service
Parts List Bulletin
No. 54-36-0602

FIG.	PART NO.	DESCRIPTION OF PART	NO. REQ.	FIG.	PART NO.	DESCRIPTION OF PART	NO. REQ.
	1	06-82-5316 8-32 x 1/2" Pan Hd. Slit. Taptite T-20	(4)		33	02-50-2440 Needle Bearing	(1)
	2	06-82-7270 8-16 x 5/8" Pan Hd. Plastite T-20	(5)		34	32-75-2011 Spindle Gear	(1)
	3	31-44-1651 Right Handle Half	(1)		35	34-60-1200 Retaining Ring	(1)
	4	06-95-0075 6-32 x 3/8" Truss Hd. Taptite T-10	(2)		36	02-50-1640 Needle Bearing	(1)
	5	22-22-1380 Brush Holder Assembly	(1)		37	32-40-1251 Intermediate Gear	(1)
	6	23-44-0190 Brush Retaining Cap	(2)		38	06-42-0800 Woodruff Key	(1)
*	8	22-18-0910 Carbon Brush Assembly	(2)		39	36-66-2711 Intermediate Shaft	(1)
	9	31-55-0190 Coil Shield	(1)		40	02-04-0725 Ball Bearing	(1)
	10	31-12-0196 Switch Cap	(1)	*	41	28-14-1922 Gear Case	(1)
*	11	14-20-0356 Switch Assembly	(1)		42	02-04-1536 Ball Bearing	(1)
	12	06-95-5150 6-32 x 1/4" Hex Hd. Taptite Sems	(1)		43	34-80-2500 Retaining Ring	(1)
	13	06-81-1060 8-32 x 2-1/4" Field Bolt	(2)		44	06-82-5532 8-32 x 2-1/2" Pan Hd. Taptite T-20	(2)
	14	06-82-7270 8-16 x 5/8" Pan Hd. Plastite T-20	(1)		45	06-82-5432 8-32 x 1-5/8" Pan Hd. Taptite T-20	(1)
*	15	23-66-1965 On-Off Switch	(1)		46	06-42-2000 Woodruff Key	(1)
	16	31-44-1656 Left Handle Half	(1)		47	38-50-5475 Spindle	(1)
	17	06-72-1720 Nameplate Rivet	(2)		48	06-75-3150 1/4-20 x 1 L.H. Skt. Cap Screw	(1)
	18	12-99-1750 Service Nameplate	(1)		49	48-66-1360 1/2" Chuck	(1)
*	19	43-72-0176 Heat Sink Holder	(1)		50	48-66-3280 Chuck Key	(1)
	20	02-04-0845 Ball Bearing	(1)	*	51	43-62-1265 Side Handle	(1)
	21	06-57-2975 8-32 Flexlock Hex Nut	(2)		52	14-46-1001 Foam Slug Kit (10 Slugs)	(1)
	22	23-16-0456 Field Insulator	(1)	*	53	43-62-1170 Side Handle Extension	(1)
*	23	18-31-0600 120 V. Field	(1)				
	24	28-50-6220 Motor Housing	(1)				
*	25	31-05-0055 Baffle	(1)				
	26	16-30-0226 120 V. Armature	(1)				
	27	22-84-0531 Fan Assembly	(1)				
	28	02-04-0911 Ball Bearing	(1)				
	29	44-76-0210 Cord Protector	(1)				
	30	22-64-3190 Cord Set	(1)				
	31	48-66-4040 Key Holder	(1)				
	32	28-28-0601 Diaphragm	(1)				

FIG. LUBRICATION:
41 3-3/4 Oz. Type "A" Grease, No. 49-08-0800.

FIG. NOTES:
51 Apply Red Loctite To Threads Of Side Handle.