



# SERVICE PARTS LIST

**BULLETIN NO.**  
54-08-1086

SPECIFY CATALOG NO. AND SERIAL NO. WHEN ORDERING PARTS		REVISED BULLETIN 54-08-1085	DATE Sept. '85
<b>1/2" REVERSING DRILL</b>			
<b>CATALOG NO.</b> 1250-1	<b>STARTING SERIAL NO.</b> 459-25000	<b>WIRING INSTRUCTION</b> 58-01-0244	
<b>CAT. NO.</b>	<b>START SER. NO.</b>	<b>BILINGUAL LABEL</b>	

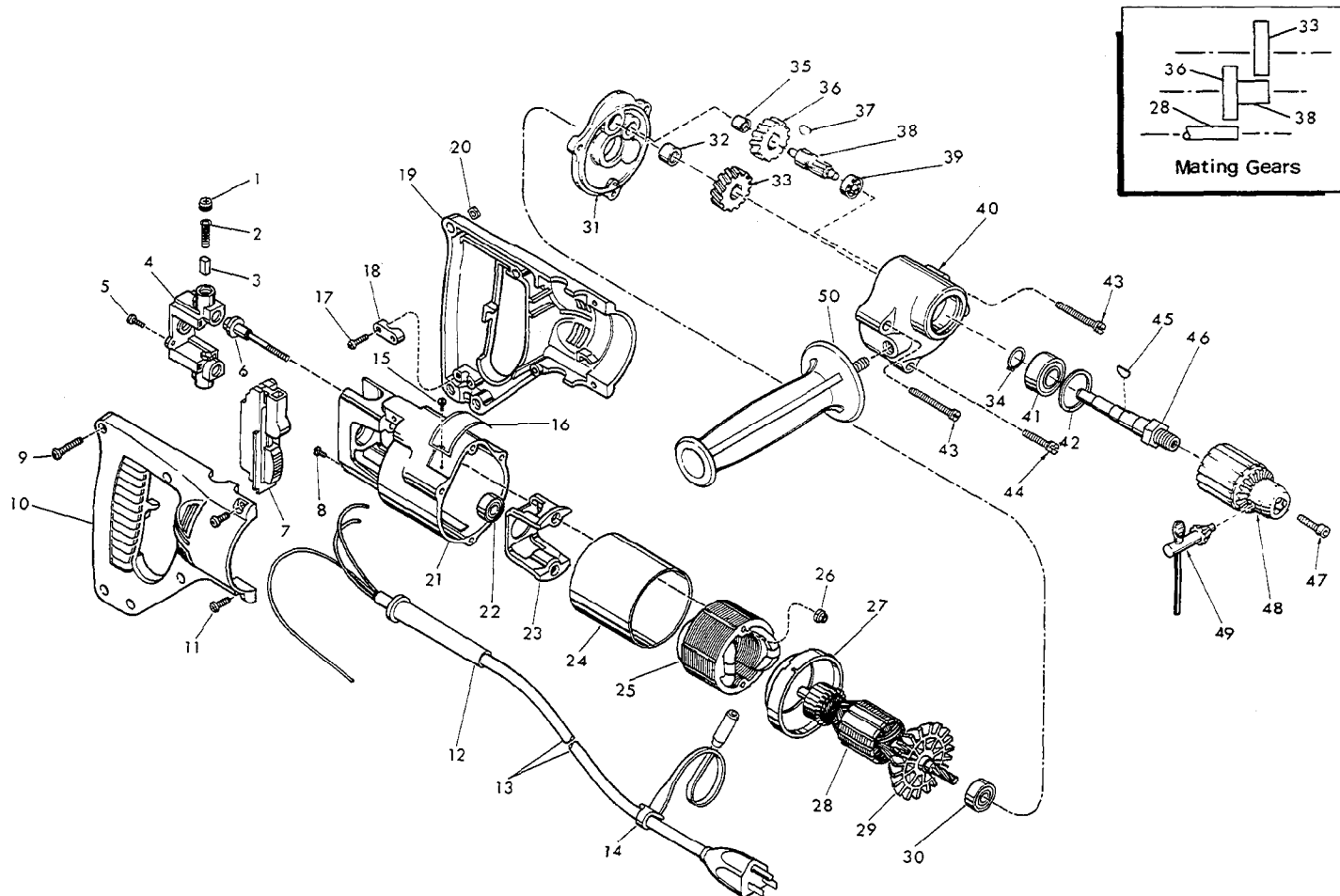


FIG.	PART NO.	DESCRIPTION OF PART	NO. REQ.	FIG.	PART NO.	DESCRIPTION OF PART	NO. REQ.
1	23-44-0190	Brush Retaining Screw	(2)	28	16-30-0225	120 V. Armature (Incl. Fig. No. 29)	(1)
2	23-52-0160	Brush Spring	(2)	29	22-84-0530	Fan Assembly	(1)
3	22-16-0275	Carbon Brush	(2)	30	02-04-0911	Ball Bearing	(1)
4	22-22-1330	Brush Holder Assembly	(1)	31	28-28-0585	Diaphragm	(1)
5	06-95-0075	6-32 x 3/8 Trus Hd. Taptite Screw	(2)	★ 32	02-50-2440	Needle Bearing	(1)
6	06-81-1058	Insulated Field Bolt	(2)	33	32-75-2001	Spindle Gear	(1)
7	23-66-1020	Switch	(1)	★ 34	34-60-1200	Retaining Ring	(1)
8	06-95-5150	Ground Screw	(1)	35	02-50-1640	Needle Bearing	(1)
9	06-81-0473	8-32 x 1" Pan Hd. Pozidriv Screw	(5)	36	32-40-1241	Intermediate Gear	(1)
10	31-44-1300	R.H. Half D. Handle	(1)	37	06-42-0800	Woodruff Key	(1)
11	06-95-0700	8-32 x 1/2" Pan Hd. Taptite Screw	(4)	38	36-66-2701	Intermediate Shaft	(1)
12	44-76-0150	Cord Protector	(1)	39	02-04-0640	Ball Bearing	(1)
13	22-64-0155	Cord Set	(1)	40	28-14-0686	Gear Case	(1)
14	48-66-4040	Key Holder	(1)	★ 41	02-04-1536	Ball Bearing	(1)
15	06-85-0200	6 x 1/4 Rd. Hd. Type Z Screw	(2)	42	34-80-2500	Retaining Ring	(1)
16	12-99-0030	Nameplate Blank	(1)	43	06-95-5270	8-32 x 1-7/8 Fil. Hd. Sem	(2)
17	06-95-0216	8-16 x 5/8" Plastite Screw	(2)	44	06-95-5250	8-32 x 1-1/8 Fil. Hd. Sem	(1)
18	31-17-0156	Cord Clamp	(1)	45	06-42-1600	Woodruff Key	(1)
19	31-44-1305	L.H. Half D Handle	(1)	★ 46	38-50-5470	Spindle	(1)
20	06-55-0835	8-32 Hex Nut	(5)	47	06-75-3150	1/4-20 x 1 L.H. Skt. Cap Screw	(1)
21	28-50-6201	Motor Housing	(1)	48	48-66-1360	1/2" Chuck (Incl. Fig. 49)	(1)
22	02-04-0845	Ball Bearing	(1)	49	48-66-3280	Chuck Key	(1)
23	31-55-0030	Coil Shield	(1)	50	43-62-0875	Side Handle	(1)
24	23-16-0456	Field Insulator	(1)	★ 51	10-98-5986	Warning Label (Not Shown)	
25	18-30-0100	120 V. Field	(1)				
26	06-57-2975	8-32 Flexlock Hex Nut	(2)				
27	31-05-0050	Baffle	(1)				