

Straight Grinders - 0 601 215 034 - 1215

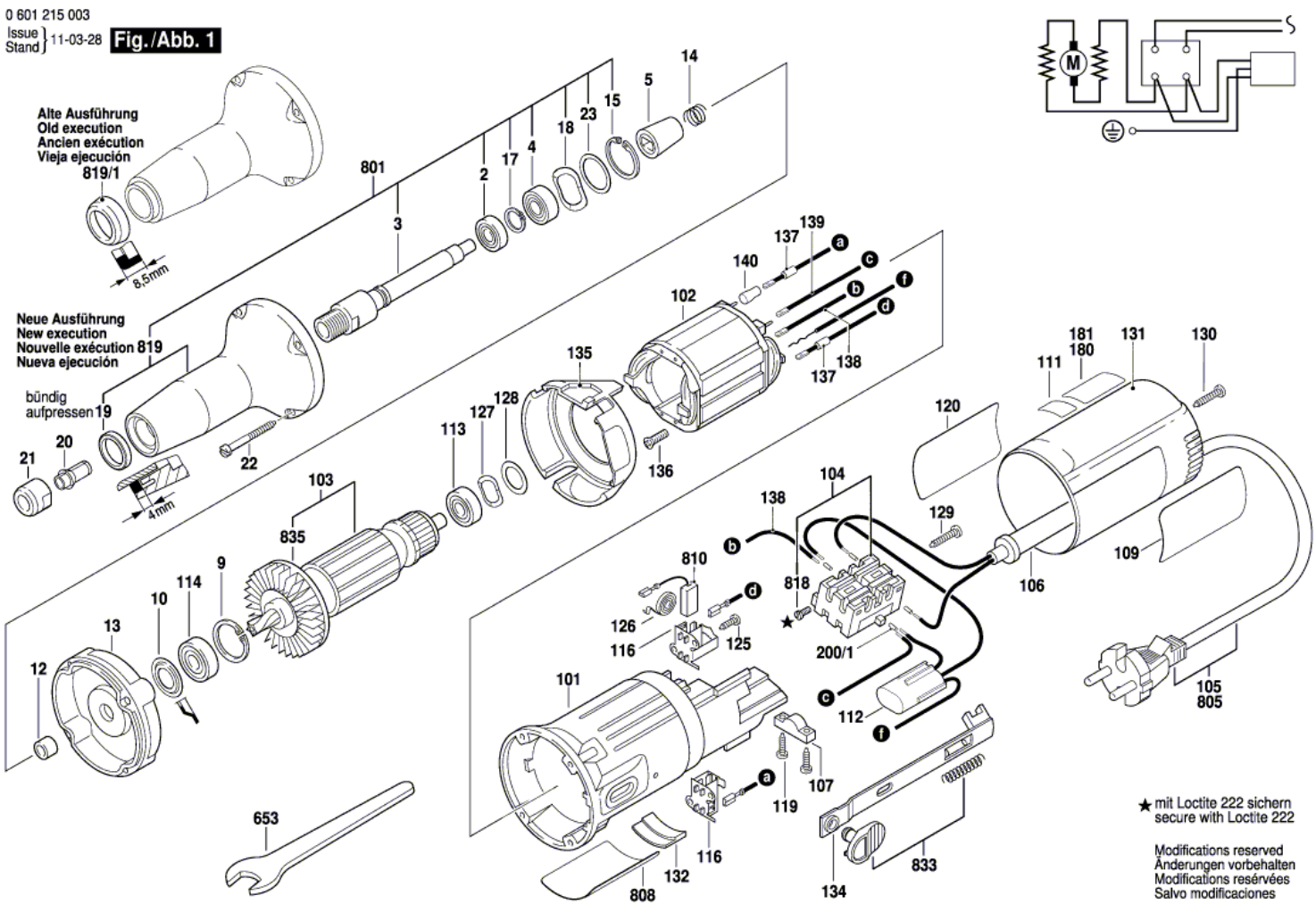
www.powertools-aftersaleservice.com



BOSCH

Item	Part Number	Description	Illustration	Price	Quantity	Price Group
	2 3 600 900 020	groove ball bearing		1	-,-	1 25
	3 3 603 523 008	Grinding Spindle M15x1, SW17		1	-,-	1 44
	4 3 600 900 021	groove ball bearing		1	-,-	1 29
	5 2 606 446 002	Coupling Half		1	-,-	1 21
	9 2 916 660 008	Spring retaining ring DIN 472-24x1,2 MM		1	-,-	1 11
	10 2 600 500 002	Cupped Washer		1	-,-	1 11
	12 2 600 400 008	Receptacle		1	-,-	1 11
	13 2 605 700 215	Intermediate Flange		1	-,-	1 37
	14 2 604 630 001	Compression Spring		1	-,-	1 11
	15 2 916 660 010	Spring retaining ring DIN 472-26x1,2 MM		1	-,-	1 10
	17 2 916 650 903	Spring retaining ring DIN 471-12x1-FSTM		1	-,-	1 11
	18 3 600 150 011	Shim		1	-,-	1 11
	19 3 600 300 074	Cover Ring		1	-,-	1 24
	20 2 608 570 077	Collet Ø 3 MM		1	-,-	1 30
	20 2 608 570 081	Collet Ø 8 MM		1	-,-	1 30
	20 2 608 570 078	Collet Ø 1/8"(3,175 MM)		1	-,-	1 34
	20 2 608 570 132	Collet Ø 1/4"(6,35 MM)		1	-,-	1 29
	21 3 603 342 009	Round Nut		1	-,-	1 24
	22 2 910 211 093	Tapping Screw DIN 7971-BZ3,9x38		1	-,-	4 11
	23 1 710 102 601	Shim 0,10 MM		1	-,-	1 11
	101 2 605 108 051	Motor Housing BLUE		1	-,-	1 29
	102 2 604 220 443	Field 110-120V		1	-,-	1 35
	103 2 604 010 637	Armature 110-120V		1	-,-	1 39
	104 2 607 200 674	Switch		1	-,-	1 27
	105 3 604 460 057	Power supply cord SAM 4,15m 2 x 0,82mm SJ 18/2		1	-,-	1 30
	106 2 600 703 013	Grommet Ø7,6-Ø8,2x95 MM		1	-,-	1 13
	107 2 601 035 001	Cable Clip		1	-,-	1 11
	109 2 610 906 971	Sticker		1	-,-	1 15
	111 1 601 110 357	Sticker		1	-,-	1 14
	112 2 607 329 104	Suppression Filter		1	-,-	1 22
	113 1 900 905 018	Ball Bearing 7x22x7		1	-,-	1 28
	114 2 600 905 095	Ball Bearing 9x24x7		1	-,-	1 24
	116 1 600 A00 3G4	Brush Holder		1	-,-	2 13

Item	Part Number	Description	Illustration	Price	Quantity	Price Group
119	2 603 490 022	Screw 4x16	1	-,-	2	10
120	1 618 B00 30L	Nameplate	1	-,-	1	13
125	1 613 435 034	Lens Head Screw 3x10 ST	1	-,-	4	10
126	2 604 652 009	Spiral Spring	1	-,-	2	11
127	2 600 150 004	Shim	1	-,-	1	12
128	2 600 101 023	Shim 0,3 MM	1	-,-	1	11
128	2 600 101 022	Shim 0,2 MM	1	-,-	1	11
128	2 600 101 020	Shim 0,5 MM	1	-,-	1	11
129	2 910 211 007	Tapping Screw DIN 7971-BZ2,9x16	1	-,-	1	11
130	2 910 601 321	Tapping Screw DIN 7982-ST3,9x22C-H	1	-,-	1	11
131	2 605 500 073	Housing Cover BLUE	1	-,-	1	23
132	1 600 026 000	Intermediate Piece BLUE	1	-,-	1	10
134	2 602 319 005	Adjusting Slide BLUE	1	-,-	1	11
135	2 601 328 045	Cover Disc	1	-,-	1	12
136	2 603 435 015	Recessed-Head Screw DIN 7981-ST3,5x9,5-F	1	-,-	2	11
137	2 604 448 034	Connecting Cable L=88 MM WHITE	1	-,-	2	11
138	2 604 448 040	Connecting Cable L=125MM WHITE	1	-,-	1	13
139	2 604 448 039	Connecting Cable L=68MM WHITE	1	-,-	1	12
140	2 600 409 014	Shrinkable Tube 25-1MM	1	-,-	4	11
200/1	3 604 477 011	End Splice	1	-,-	2	10
653	2 607 950 511	Single-Head Eng. Wrench SW17	1	-,-	2	16
801	3 607 031 168	Grinding Spindle	1	-,-	1	52
808	1 601 11A 3H3	Nameplate	1	-,-	1	13
810	2 604 320 910	Carbon-Brush Set	1	-,-	1	22
818	2 603 410 001	Socket head cap screw M3x6,5-4.8	1	-,-	4	11
819	3 607 030 418	Spindle Bearing	1	-,-	1	39
819/1	2 600 501 001	Cover Ring 8,5 mm	1	-,-	1	19
833	2 602 026 910	Switch Handle	1	-,-	1	15
835	2 606 610 050	Fan	1	-,-	1	16



Information subject to change without further notice.