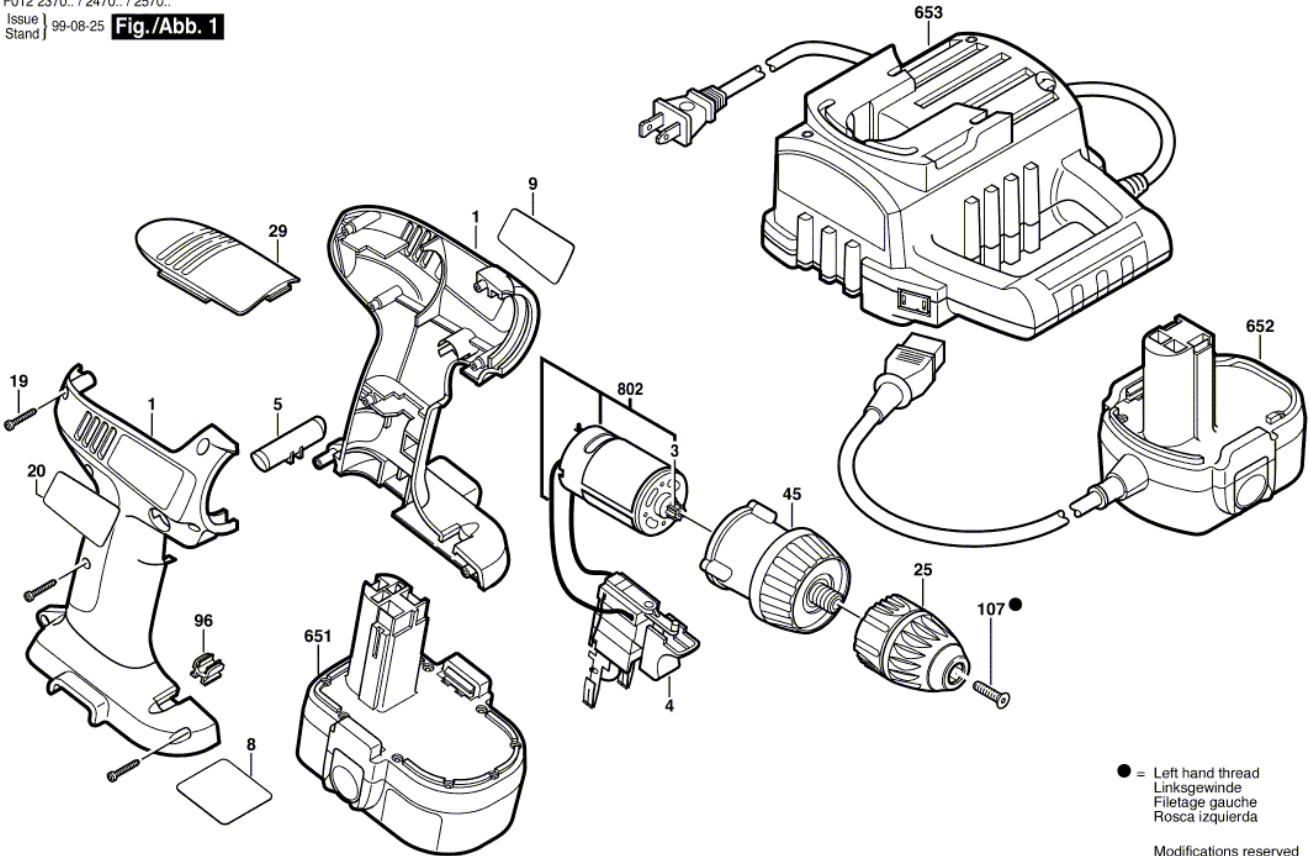


F012 2370.. / 2470.. / 2570..  
Issue | 99-08-25 **Fig./Abb. 1**  
Stand |



Pos.	Part Number	Description	Pos.	Part Number	Description
1	2 610 997 742	Housing Section			
3	2 610 967 133	Pinion			
4	2 607 200 429	On-Off Switch			
5	2 610 997 745	Switch Handle			
8	2 610 998 859	Nameplate			
9	2 610 997 849	Label			
19	2 610 909 719	Screw			
20	2 610 997 848	Warning Plate			
25	2 610 993 339	Keyless Chuck			
29	2 610 997 746	Housing Cover			
45	2 610 913 459	Planetary Gear Train			
96	2 610 911 815	Support			
107	2 609 110 721	Countersunk-Head Screw			
651	2 607 335 332	Accumulator Battery			
652	2 610 998 246	Adapter			
653	2 610 998 217	Charging Transformer			
802	2 610 998 224	Motor			