



SERVICE PARTS LIST

BULLETIN NO.
54-08-2069

SPECIFY CATALOG NO. AND SERIAL NO. WHEN ORDERING PARTS		REVISED BULLETIN	DATE
1/2" REVERSING DRILL		54-08-2068	Mar.'94
CATALOG NO. 1201-1		WIRING INSTRUCTION	
STARTING SERIAL NO. 495-78473		58-01-0214	

EXAMPLE:
Component Parts (Small #)
Are Included When Ordering
The Assembly (Large #).

00
0

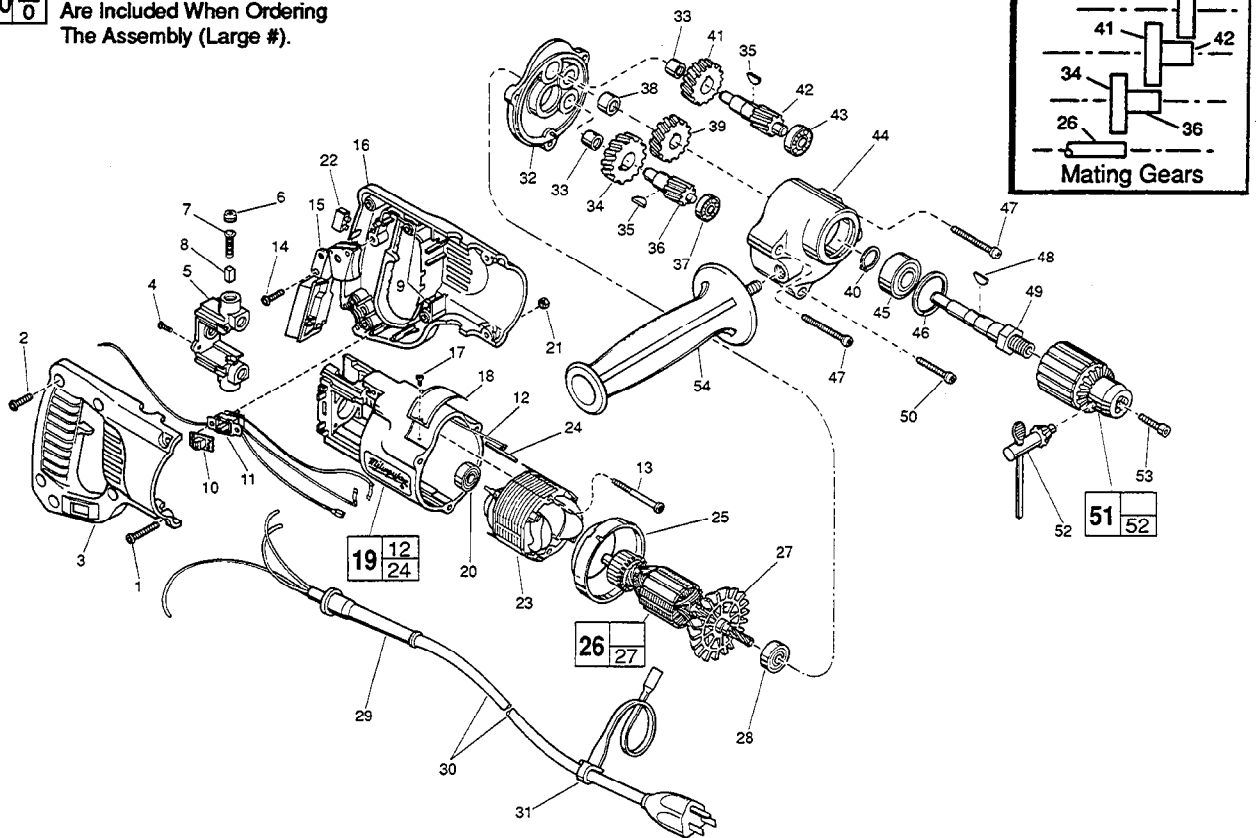


FIG.	PART NO.	DESCRIPTION OF PART	NO. REQ.
★ 1	06-82-5390	8-32x1-1/4" Taptite T-20	(2)
★ 2	06-82-7270	8-16 x 5/8" Pan Hd. Plastite T-20	(5)
★ 3	31-44-1650	Right Handle Half	(1)
★ 4	06-82-7240	6-19 x 1/2" Pan Hd. Plast. T-15	(2)
★ 5	22-22-1380	Brush Holder Assembly	(1)
6	23-44-0190	Brush Retaining Cap	(2)
7	23-52-0160	Brush Spring	(2)
8	22-16-0275	Carbon Brush	(2)
★ 9	14-46-1001	Foam Pad Kit (10 Slugs)	(2)
★ 10	31-12-0196	Switch Cap	(1)
★ 11	23-66-1869	Switch Assembly	(1)
★ 12	23-94-6100	Ground Wire Assembly	(1)
★ 13	06-82-7410	8-16 x 1-7/8" Pan Hd. Stt. Plastite T-20	(2)
★ 14	06-82-7270	8-16 x 5/8" Pan Hd. Plastite T-20	(1)
15	23-66-0167	On-Off Switch	(1)
★ 16	31-44-1655	Left Handle Half	(1)
17	06-85-0200	Nameplate Screw	(2)
★ 18	12-99-0515	Nameplate Blank	(1)
★ 19	31-50-0846	Motor Housing Assembly	(1)
20	02-04-0845	Ball Bearing	(1)
★ 21	06-55-0835	8-32 Hex Nut	(1)
★ 22	22-56-0456	Terminal Block	(1)
★ 23	18-31-0200	120 V. Field	(1)
★ 24	44-60-0530	Ground Pin	(1)
25	31-05-0050	Baffle	(1)
26	16-30-0325	120 V. Armature	(1)
★ 27	22-84-0531	Fan Assembly	(1)
28	02-04-0911	Ball Bearing	(1)
★ 29	44-76-0210	Cord Protector	(1)
★ 30	22-64-3190	Cord Set	(1)
31	48-66-4040	Key Holder	(1)

FIG.	PART NO.	DESCRIPTION OF PART	NO. REQ.
★ 32	28-28-0611	Diaphragm	(1)
33	02-50-1640	Needle Bearing	(2)
34	32-40-1241	Intermediate Gear	(1)
35	06-42-0800	Woodruff Key	(2)
36	36-66-2801	Intermediate Shaft	(1)
37	02-04-0640	Ball Bearing	(1)
38	02-50-2440	Needle Bearing	(1)
39	32-75-2641	Spindle Gear	(1)
40	34-60-1200	Retaining Ring	(1)
41	32-75-2041	Spindle Gear	(1)
★ 42	36-66-3960	Intermediate Shaft	(1)
43	02-04-0820	Ball Bearing	(1)
44	28-14-1920	Gear Case	(1)
45	02-04-1536	Ball Bearing	(1)
46	34-80-2500	Retaining Ring	(1)
★ 47	06-82-7453	8-16 x 2-1/4" Pan Hd. Plastite T-20	(2)
48	06-42-1600	Woodruff Key	(1)
49	38-50-5470	Spindle	(1)
★ 50	06-82-7354	8-16 x 1-3/8" Pan Hd. Plastite T-20	(1)
51	48-66-1360	1/2" Chuck	(1)
52	48-66-3280	Chuck Key	(1)
53	06-75-3150	1/4-20 x 1 L.H. Skt. Hd. Cap Screw	(1)
54	43-62-0875	Side Handle	(1)

LUBRICATION:

44 3-1/4 Oz. Type "A" Grease, No. 49-08-0800.

MILWAUKEE ELECTRIC TOOL CORPORATION
13135 W. LISBON RD., BROOKFIELD, WI 53005