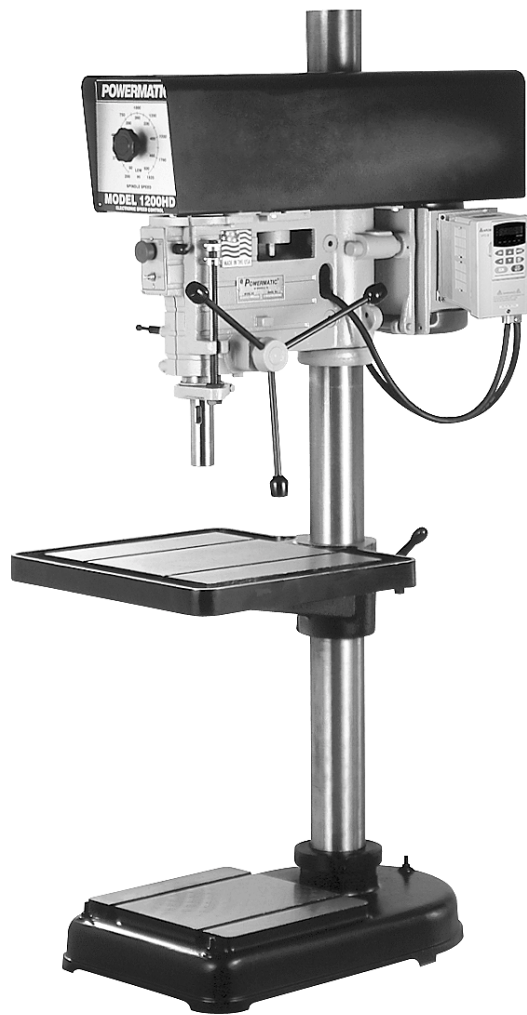


20" DRILL PRESS

Model 1200HD

Instruction Manual & Parts List

#0460237



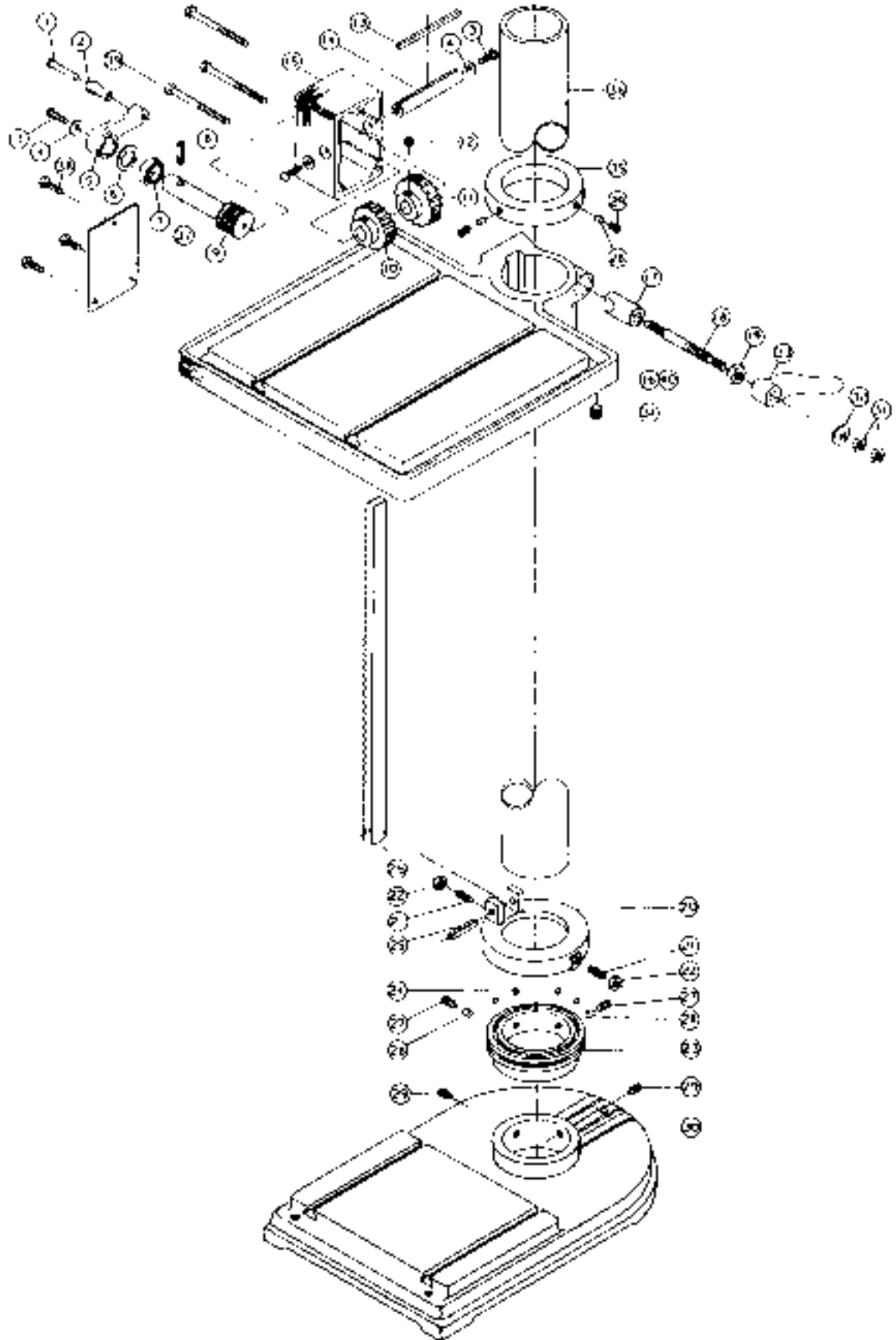
POWERMATIC®

(800) 248-0144
www.powermatic.com

PARTS LIST: Production & Tilting Table with Table Raising Rack (1200HD)

No.	Part No.	Description	Quantity
	2298013	Elevating Gear Box Housing Assembly (Items 1 thru 15)	1
1	6624006	Groove Pin, 1/4 x 2-3/4 Lg.	1
2	3268201	Nylon Handle	1
3	6715132	Round Head Screw, 5/16-18 x 1/2	3
4	6861201	Flat Washer, 5/16	3
5	3268005	Elevating Handle, D-21	1
6	3741211	Flat Shaft Spacer, 1/2	1
7	6064001	Thrust Bearing, Nice 605	1
8	6626040	Spring Pin, 1/4 x 1-1/4	1
9	3237013	Pinion Gear	1
10	3237002	Worm Gear	1
11	3237001	Spur Gear	1
12	6714004	Socket Set Screw, 1/4-20 x 1/4	2
13	3388015	Square Key, 3/16 x 3/16 x 2-1/4	1
14	3701004	Gear Shaft	1
15	3298017	Gear Box Housing	1
	2797026	Production Table Assembly (Items 16 thru 19)	1
16	3797030	Production Table	1
17	3728010	Table Locking Sleeve	1
18	3773012	Table Locking Stud	1
19	3528001	Table Stud Lock Nut	1
	2645002	Table Raising Rack Assembly (Items 20 thru 26)	1
20	3096040	Bearing Elevating Rack Collar	1
21	6715118	Half Dog Point Socket Set Screw, 5/16-18 x 3/4	2
22	6515001	Hex Nut, 5/16-18	2
23	3046003	Thrust Collar Bearing	1
24	6054002	Steel Ball Bearing, 3/8	41
25	6626033	Spring Pin, 3/16 x 2	1
26	3650005	Gear Rack, 24	1
27	6718056	Cup Point Socket Set Screw, 1/2-13 x 3/4	2
28	3598023	Protector Plug, 7/16 x 3/16	4
29	6718055	Cup Point Socket Set Screw, 1/2-13 x 1/2	4
30	3042037	Drill Press Base	1
31	6517006	Hex Jam Nut, 7/16-14	2
32	3838008	Table Locking Bevel Washer	1
33	3268008	Table Locking Handle	1
34	6638004	Pipe Plug, 1/2-14	1
35	3096039	Column Collar	1
36	3098004	Floor Model Column	1
37	3104014	Head & Table Cover	1
38	6716038	Hex Head Cap Screw, 3/8-16 x 1/2	3
39	6716042	Hex Head Cap Screw, 3/8-16 x 3	3
40	2797028	Tilting Table Assembly (not shown)	1

Production & Tilting Table with TABLE RAISING RACK



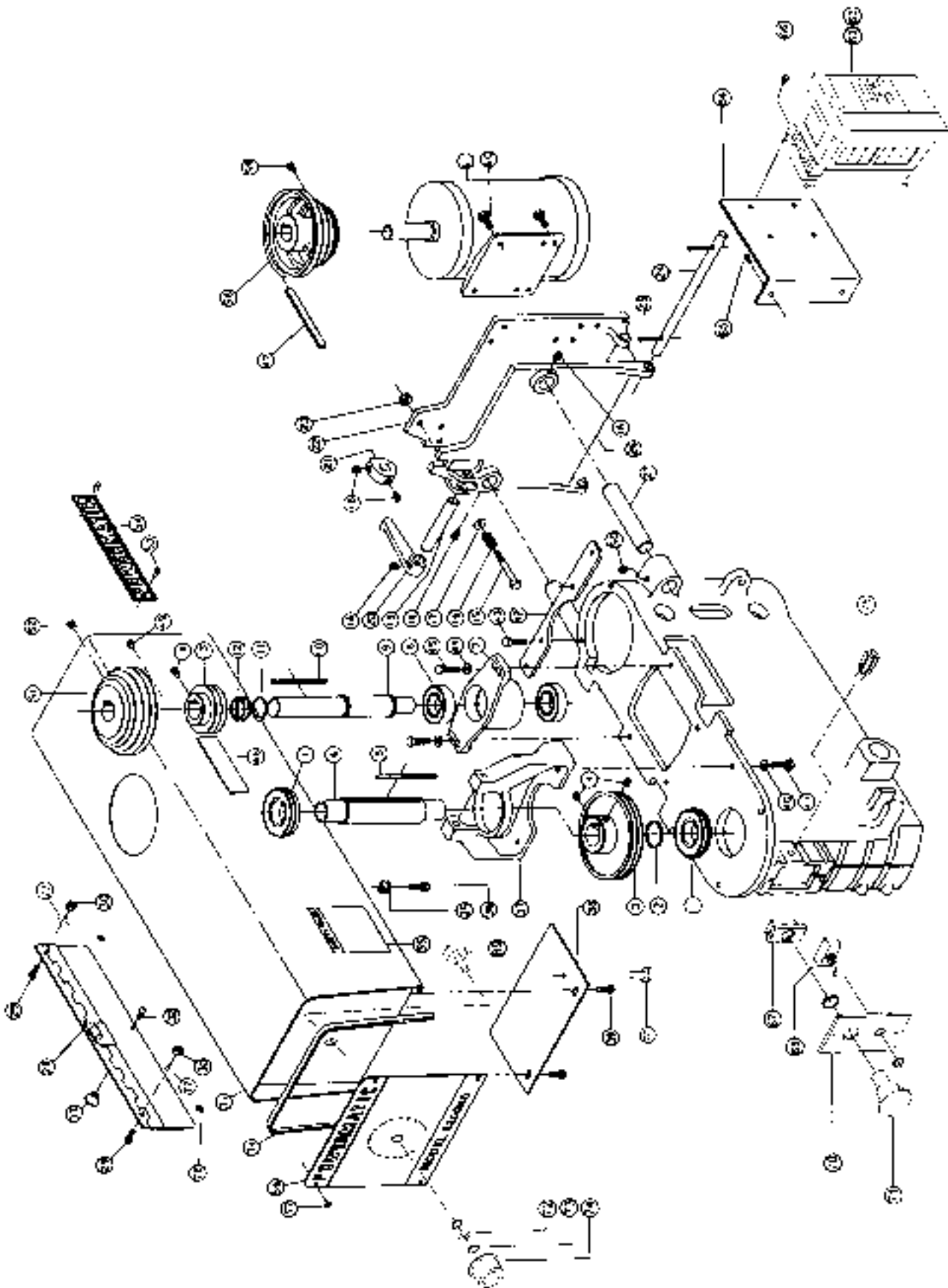
PARTS LIST: **Electronic Variable Speed Assembly (1200HD)**

No.	Part No.	Description	Quantity
	2387006	Step Cone Sheave Kit Assembly (Items 1 thru 52)	1
	2144004	Drive Spline Sheave Assembly (Items 1 thru 6)	1
1	6060054	Ball Bearing, NTN	2
3	6807136	Sheave - HTD Spindle	1
4	6715013	Socket Set Screw, 5/16-18 x 3/8	2
5	3388102	Square Key, 3/8 x 1-3/4	1
6	3749133	Spline Drive Shaft	1
	2298005	Countershaft Housing Assembly (Items 7 thru 14)	1
7	3298032	V/S Shaft Housing	1
8	6060010	Ball Bearing, Fafnir 205PP	2
9	3706005	V/S Drive Shaft	1
10	3388019	Square Key 3/16 x 3/16 x 3-11/16	1
11	6670005	Retaining Ring, Truarc No. 5100-100	1
12	6811326	Steel Arbor Spacer, 1 x 1-1/2 x .062	1
13	6807137	Sheave - HTD Countershaft	1
14	6714004	Socket Set Screw, 1/4-20 x 1/4	1
	2042021	Step Cone Tilting Motor Base (Items 15 thru 27)	1
15	6716114	Hex Head Cap Screw, 3/8-16 x 2-3/4	1
16	6813068	Spring, 9/16 x 2	1
17	6861301	Flat Washer, 3/8	1
18	6715016	Cup Point Socket Set Screw, 5/16-18 x 5/16	5
19	3670031	Motor Base Handle Rod	1
20	3268007	Tilting Handle	1
21	3076011	Motor Base Handle Cam	1
22	3042057	Step Cone Motor Base	1
23	6516002	Hex Lock Nut, 3/8-16	1
24	3711004	Tilting Motor Base Shaft	1
25	6622002	Cotter Pin, 1/8 x 1	1
26	3042056	Motor Mounting Base	1
27	3670032	Tilting Motor Base Rod	2
	2250061	Step Cone Belt Guard Assembly (Items 28 thru 31)	1
28	2136034	Step Cone Door Guard Assembly (Weldment)	1
29	6710034	Round Head Screw, #10-24 x 3/8	4
30	6510001	Hex Nut, No. 10-24	4
31	2250089	Guard Assembly (Weldment)	1
32	6760046	Round Head Screw, #10-32 x 3/8	1
33	6430017	Knob, Davies No. 3702SD	1
34	6458001	Rubber Molding	1
35	6514014	Self Retaining Nut	1
36	6714127	Hex Head Cap Screw, 1/4-20 x 1/2	1
37	3063246	Upper Spindle Bearing Bracket	1
38	3595271	Safety Plate	1
39	6714066	Round Head Screw, 1/4-20 x 1/4	2
40	6861200	Lock Washer, 5/16	2
41	6715032	Hex Head Screw, 5/16-18 x 1	2
42	3767211	Guard Mounting Strap	2
43	6715033	Hex Head Cap Screw, 5/16-18 x 1/2	4
44	6861401	Flat Washer, 7/16	2
45	6717017	Hex Head Cap Screw, 7/16-14 x 1	2
46	6077230	Belt, HTD 720-8M-3	10
47	6077229	V-Motor Belt, 3VX450	1
49	6714004	Socket Set Screw, 1/4-20 x 1/4	1
50	6716009	Cup Point Socket Set Screw, 3/8-16 x 1/2	2
51	3719191	Step Cone Sheave	1

PARTS LIST: Electronic Variable Speed Assembly (1200HD)

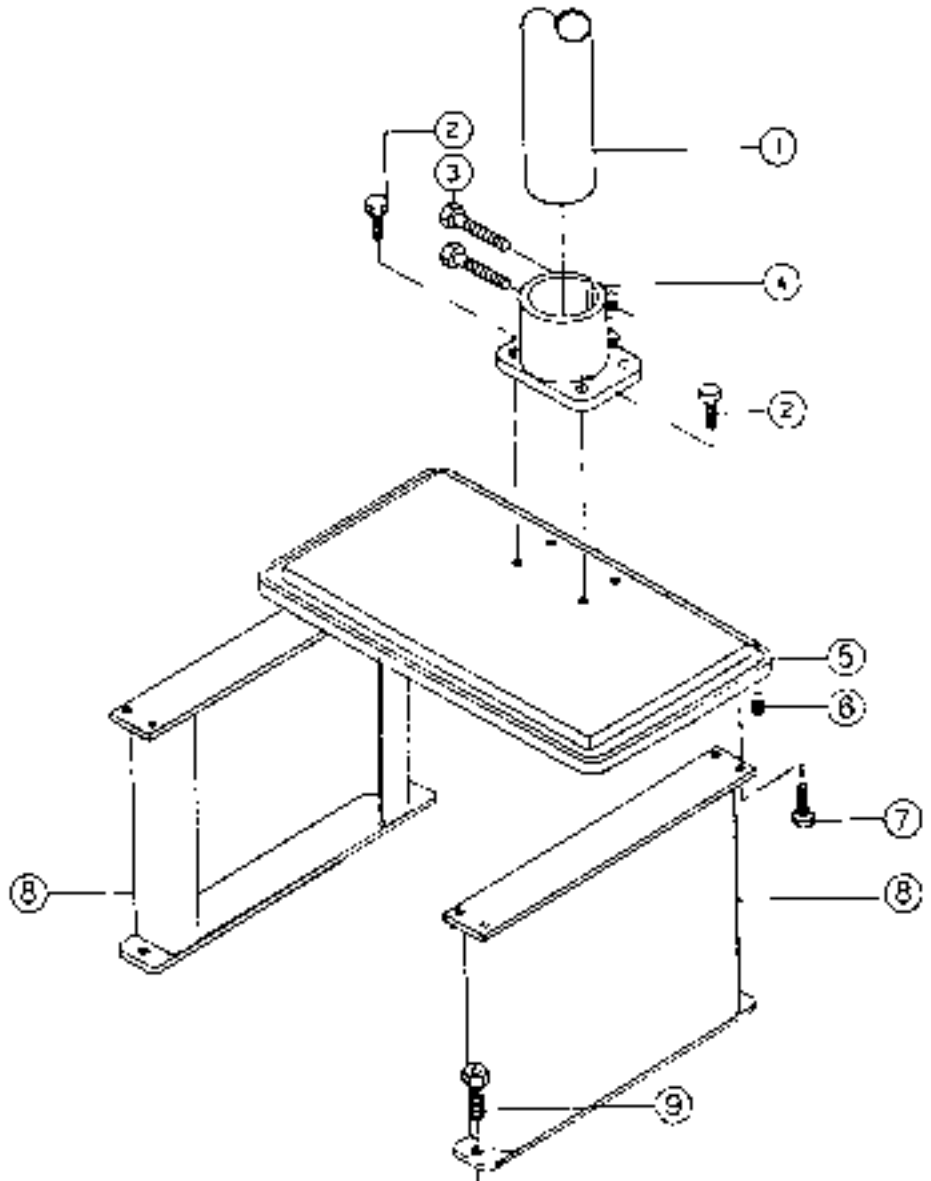
No.	Part No.	Description	Quantity
52	6715016	Cup Point Socket Set Screw, 5/16-18 x 5/16	1
53	6680020	Flat Head Drive Rivet, 5/32 x 1/4	4
54	3312251	Powermatic I.D. Plate (one not shown)	2
55	3330284	Safety Rules Plate	1
56	3330360	Serial No. I.D. Plate (Step Cone)	1
57	6746020	Self Tapping Pan Hd. Screw, #4 x 1/4	4
58	3719190	Step Cone Sheave	1
59	6715016	Cup Point Socket Set Screw, 5/16-18 x 5/16	1
60	6715180	Hex Washer Head Cap Screw, 5/16-18 x 5/8	4
61	6471603	Electric Motor, 2 HP, 3 Ph, 1800 RPM, 230/460V, 145T, TEFC	1
62	6294780	Inverter, 230V	1
63	6399014	Inverter, 460V	1
64	3064737	Inverter Mounting Bracket	1
65	6716038	Screw, 3/8	2
66	6760092	Screw, #10-32 x 1/2	4
67	6083021	Contact Block	1
68	6821492	Fwd/Rev Switch	1
69	6643000	Control Pot	1
70	3578349	Control Panel	1
71	6821491	Push/Pull Switch	1
72	6860800	Washer	1
73	6601000	"O" Ring	2
74	6430047	Control Panel Knob	1
75	6095272	Strain Relief Connector Bushing	1
76	6095271	Strain Relief Bushing	1
77	6860802	Lock Washer, #10	2
78	4709259	Rubber Bumper	2

Electronic Variable Speed Assembly (1200HD)



PARTS LIST: Spindle Table, Legs & Column Mounting Bracket Assy. (1200HD)

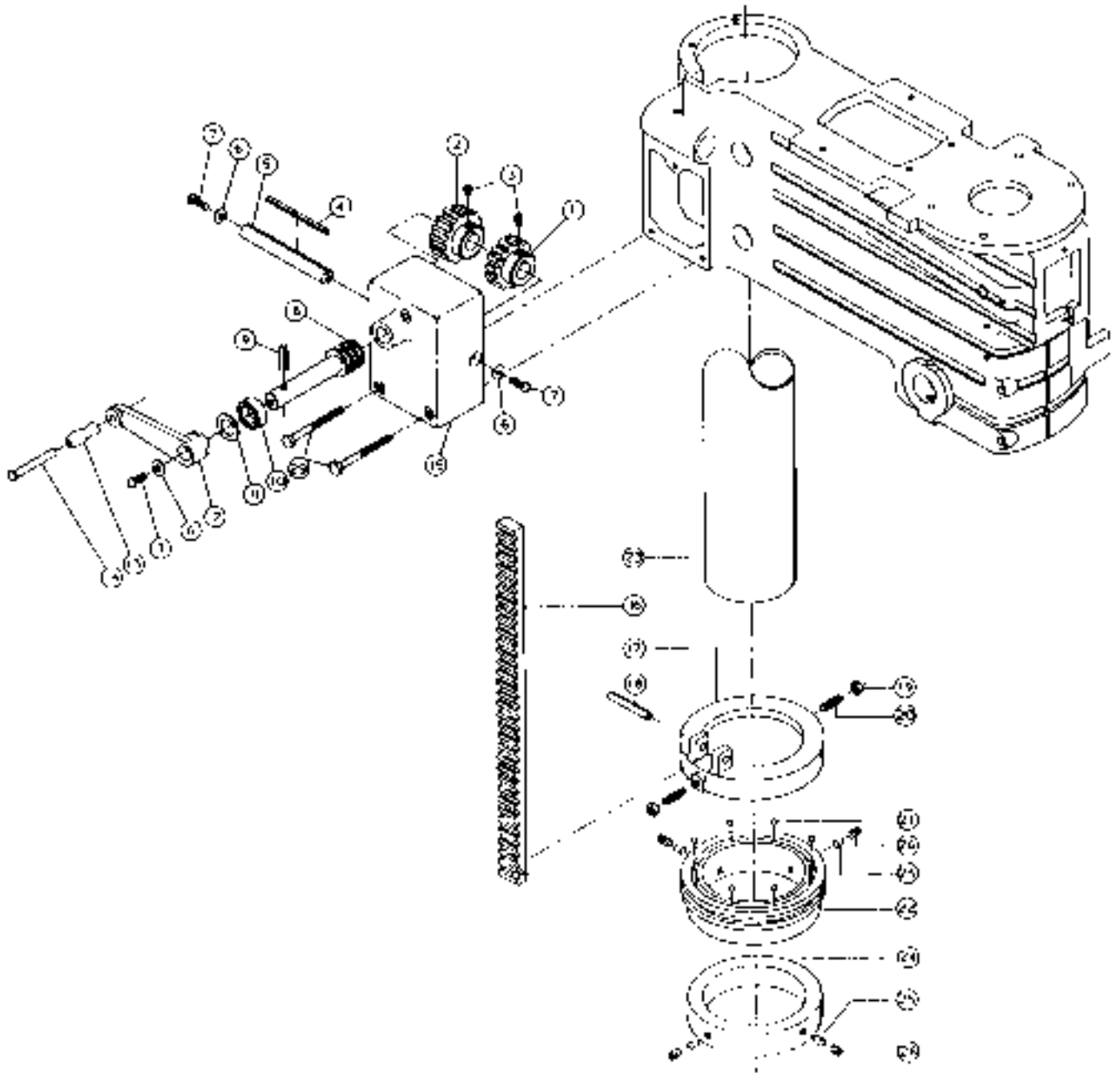
No.	Part No.	Description	Quantity
1	3098005	Bench Model Column for Spindle Table	1
2	6718009	Hex Head Cap Screw, for Spindle Table	4
3	6718025	Hex Head Cap Screw, 1/2-13 x 2-1/2 for Spindle Table	2
4	3064078	Column Mounting Bracket for Spindle Table	1
5	3797015	1 Spindle Table with T-Slots	1
6	6638004	Pipe Plug, 1/2-14 NPT	1
7	6718015	Hex Head Cap Screw, 1/2-13 x 1 for Spindle Table	4
8	2423003	Table End Leg Assembly (Weldment) for Spindle Table	2
9	3694006	Table Leveling Hex Head Bolt for Spindle Table	4



PARTS LIST: Head Raising Assembly (1200HD)

No.	Part No.	Description	Quantity
	2298016	Head Raising Mechanism (Items 1 thru 15) 1 Spindle Table	1
1	3237002	Gear	1
2	3237001	Gear	1
3	6714004	Socket Set Screw, 1/4-20 x 1/4	2
4	3388015	Square Key, 3/16 x 3/16 x 2-1/4	1
5	3701004	Gear Shaft	1
6	6861201	Flat Washer, 5/16	3
7	6715132	Round Head Screw, 5/16-18 x 1/2	3
8	3237013	Pinion Gear	1
9	6626040	Spring Pin, 1/4-1-1/4	1
10	6064001	Thrust Bearing, Nice 605	1
11	6861602	Flat Shaft Spacer, 1/2	1
12	3268005	Elevating Handle, D-21	1
13	3268201	Nylon Machine Handle	1
14	6624006	Groove Pin, 1/4 x 2-3/4	1
15	3298018	Elevating Gear Box Housing	1
	2645001	Head Raising Rack Assembly (Items 16 thru 22) 1 Spindle Table	1
16	3650004	Gear Rack, 13-1/4	1
17	3096040	Elevating Rack Bearing Collar	1
18	6626033	Spring Pin, 3/16 x 2	1
19	6515001	Hex Nut, 5/16-18	2
20	6715118	Half Dog Point Socket Set Screw, 5/16-18 x 3/4	2
21	6054002	Steel Bearing Ball, 3/8	1
22	3046003	Thrust Bearing Collar	1
23	3098005	Bench Model Column, 1 Spindle	1
24	3096039	Column Collar, 1 Spindle	1
25	3598023	Protector Plug, 7/16 x 3/16, 1 Spindle	2
26	6718055	Cup Point Socket Set Screw, 1/2-13 x 1/2, 1 Spindle	2
29	6716042	Hex Head Cap Screw, 3/8-16 x 3, 1 Spindle	3

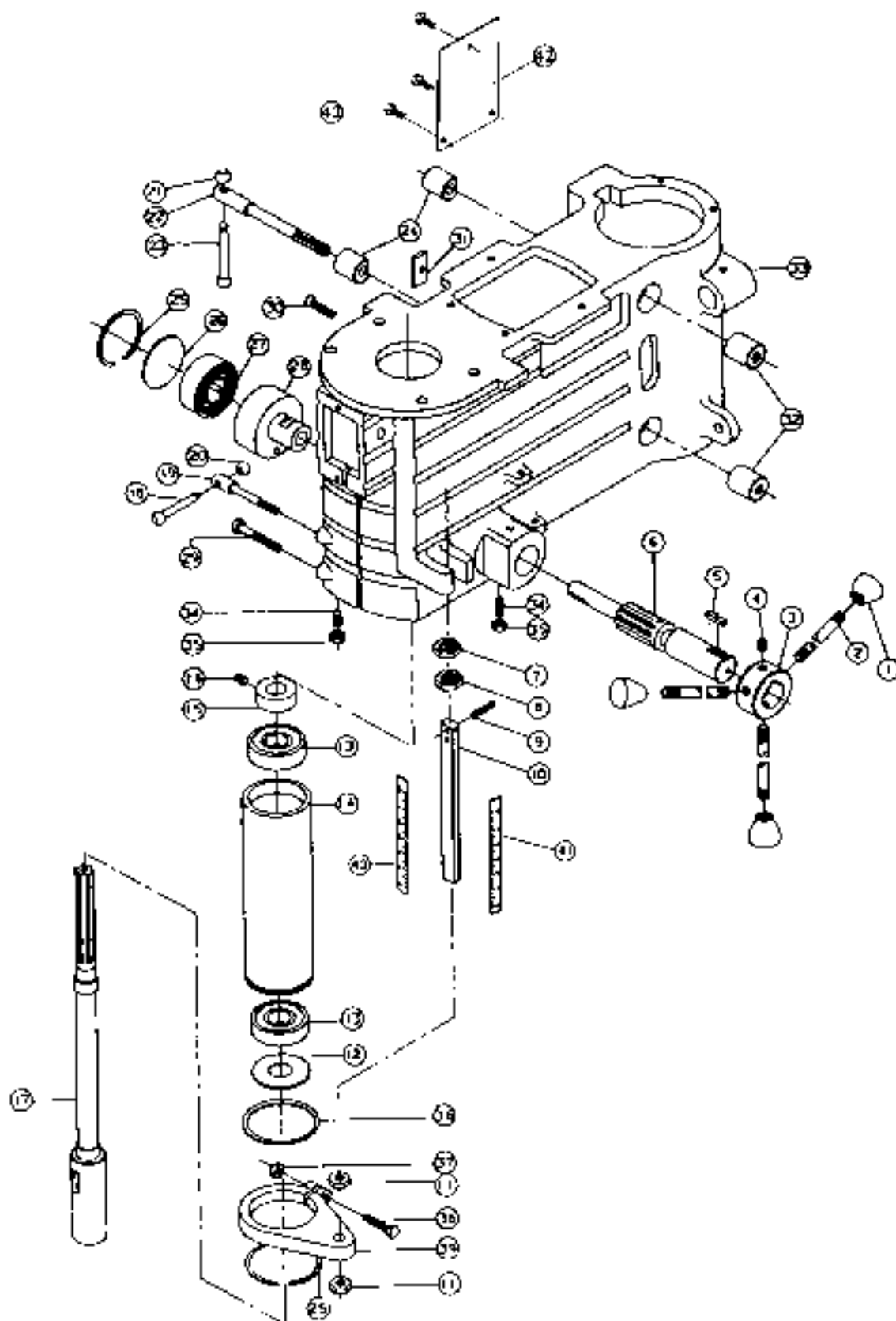
Head Raising Assembly (1200HD)



PARTS LIST: Head Assembly (1200HD)

No.	Part No.	Description	Quantity
	2268006	Turret Handle Assembly (Items 1 and 2)	1
1	3406206	Phenolic Knob	3
2	3670025	Knob Handle	3
	2277016	Head Assembly (Items 3 thru 39)	1
	2686003	Pinion Hub Assembly (Items 3 thru 6)	1
3	3301003	Turret Hub	1
4	6715016	Cup Point Socket Screw, 5/16-18 x 5/16	1
5	3388004	Key, 3/16 x 3/16 x 1	1
6	3586026	Quill Operating Pinion	1
	2670026	Depth Adjustment Rod Assembly (Items 7 thru 11, 40 & 41)	1
7	3526094	Depth Adjustment Lock Nut-Plain	1
8	3526093	Graduated Depth Adjustment Nut	1
9	6626035	Spring Pin, 3/16 x 5/8	1
10	3670102	Depth Adjustment Rod	1
11	3528005	Hex Nut	2
	2640019	No. 3 Mounting Quill Assembly (Items 12 thru 17)	1
12	3078006	Quill Bearing Cap	1
13	6060014	Ball Bearing, SKF No. 6206 2RS	2
14	3640017	Sliding Quill	1
15	3096214	Spindle Collar	1
16	6715015	Socket Set Cup Point Screw, 5/16-18 x 1/4	1
17	3749110	No. 3 Mounting Spindle	1
	2695009	Quill Locking Screw Assembly (Items 18 thru 20)	1
18	3268002	Handle	1
19	3695010	Quill Lock Screw	1
20	3406016	Knob	1
	2695015	Head Locking Screw Assembly (Items 21 thru 23)	1
21	3406016	Knob	1
22	3695002	Head Locking Screw	1
23	3268002	Handle	1
24	3448014	Plain Head Locking Sleeve	2
25	6670071	Retaining Ring, RS-275	1
26	3104010	Spring Cover	1
27	6813026	Clock Spring	1
28	3298280	Spring Housing	1
29	6716114	Hex Head Screw, 3/8-16 x 2-3/4	1
30	6714199	Round Head Screw, 1/4-20 x 1-1/4	1
31	3092012	Switch Wire Clamp	1
32	3448015	Threaded Head Locking Sleeve	2
33	3277013	Head Casting	1
34	6718038	Half Dog Point Socket Set Screw, 1/2-13 x 1-1/4	2
35	6518008	Hex Nut, 1/2-13	2
36	6804005	"O" Ring Seal, Rubber	1
37	6515001	Hex Nut, 5/16-18	1
38	6715044	Hex Head Screw, 5/16-18 x 2	1
39	3936021	Quill Yoke	1
40	3119012	Inches Scale Decal	1
41	3119013	Metric Scale Decal	1
42	3104014	Head & Table Cover, 1 Spindle	1
43	6716038	Hex Head Cap Screw, 3/8-16 x 1/2, 1 Spindle	3

Head Assembly (1200HD)



POWERMATIC®

JET Equipment & Tools
427 Sanford Road
LaVergne, TN 37086
Phone: (800) 248-0144
Fax: (800) 274-6840
E-mail: powermatic@powermatic.com
Website: www.powermatic.com