



# SERVICE PARTS LIST

BUL. 54-08-2202

1/2" ELECTRIC DRILL

REVISED BUL 654-3 DATE FEB. '68

Catalog No. 1200

Starting Serial No. 54-10295

WIRING INSTR.

Both Model and Serial No. must be furnished to obtain correct parts.

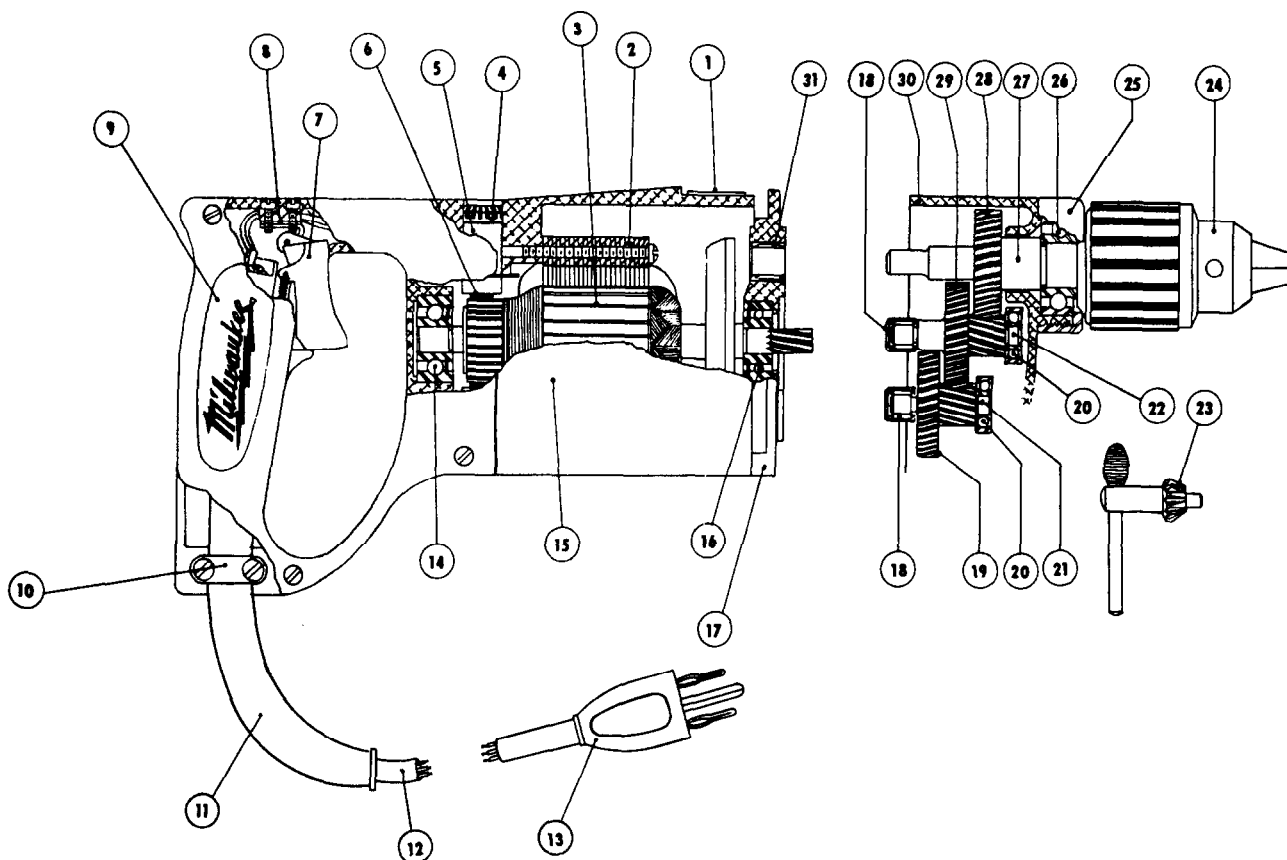


FIG. PART NO. DESCRIPTION OF PART

1	12-98-0800	Name Plate
★2	18-42-1160	Field Assembly
3	16-42-1210	Armature Assembly
4	23-44-0060	Brush Retaining Screw
5	22-22-0080	Brush Holder Assembly
6	22-18-0100	Carbon Brush Assemblies
7	23-66-0230	Switch
8	45-36-0110	Switch Spacer
9	28-20-3141	Handle Cover
10	28-17-0400	Cord Clamp Strap
12	22-64-0170	Cord Set
14	02-04-0970	Ball Bearing (Comm. End)
15	27-50-4481	Motor Housing (Includes item 9)
16	02-04-0940	Ball Bearing (Pinion End) and screws

ILLUSTRATED PARTS

FIG. PART NO.	DESCRIPTION OF PART
17	28-28-0661 Diaphragm
18	02-50-1640 Needle Bearing (2)
19	32-40-1241 Intermediate Gear
(2) 20	02-04-0640 Ball Bearing (2)
(2) 21	36-66-2801 Intermediate Pinion Shaft
(2) 22	36-66-2401 Intermediate Pinion Shaft
23	48-66-3280 Chuck Key
24	48-66-1280 Chuck (1/2"-20 Thread 3-Jaw)
25	42-52-0071 Bearing Cap
26	02-04-1560 Spindle Ball Bearing
27	38-50-3601 Spindle
28	32-75-1861 Spindle Gear
29	32-75-2041 Spindle Gear
30	28-14-0961 Gear Case
31	02-50-2110 Needle Bearing

MISCELLANEOUS PARTS NOT SHOWN

PART NO.	DESCRIPTION OF PART
43-62-0161	Handle
44-90-0130	Handle Ring
06-42-0800	Woodruff Keys
06-81-8400	4-40x1/4" Rd. Hd. Name Plate Screws (Sem) (3)
06-81-5800	6-32x5/16" Fil. Hd. Sems Switch Mounting Scs (2)
23-86-0110	Brush Holder Insul. Washer (2)
23-16-0085	Switch Insulator
48-03-0010	Attachment Plug Adaptor
06-81-6100	8-32x7/16" Fil. Hd. Sems Cord Clamp Strap Scs. (2)
06-81-8625	6-32x1/4" Rd. Hd. Sems Ground Screw (Brass)
06-81-6350	8-32x1" Fil. Hd. Gear Case Screws (Sem)
06-81-6650	8-32x1-3/4" Fil. Hd. Gear Case Screws (Sem) (2)
06-81-6600	8-32x1-3/4" Fil. Hd. Field Screws (Sem) (2)
06-83-2650	1/4-20x3/8" Hd'less Brush Holder Set Scs. (2)
06-81-3700	8-32x7/8" Oval Hd. Handle Cover Screws (4)

Numbers in brackets indicate number required.