

Percussion Drill - 0 601 19B 439 - 1199 VSR

www.powertools-aftersaleservice.com

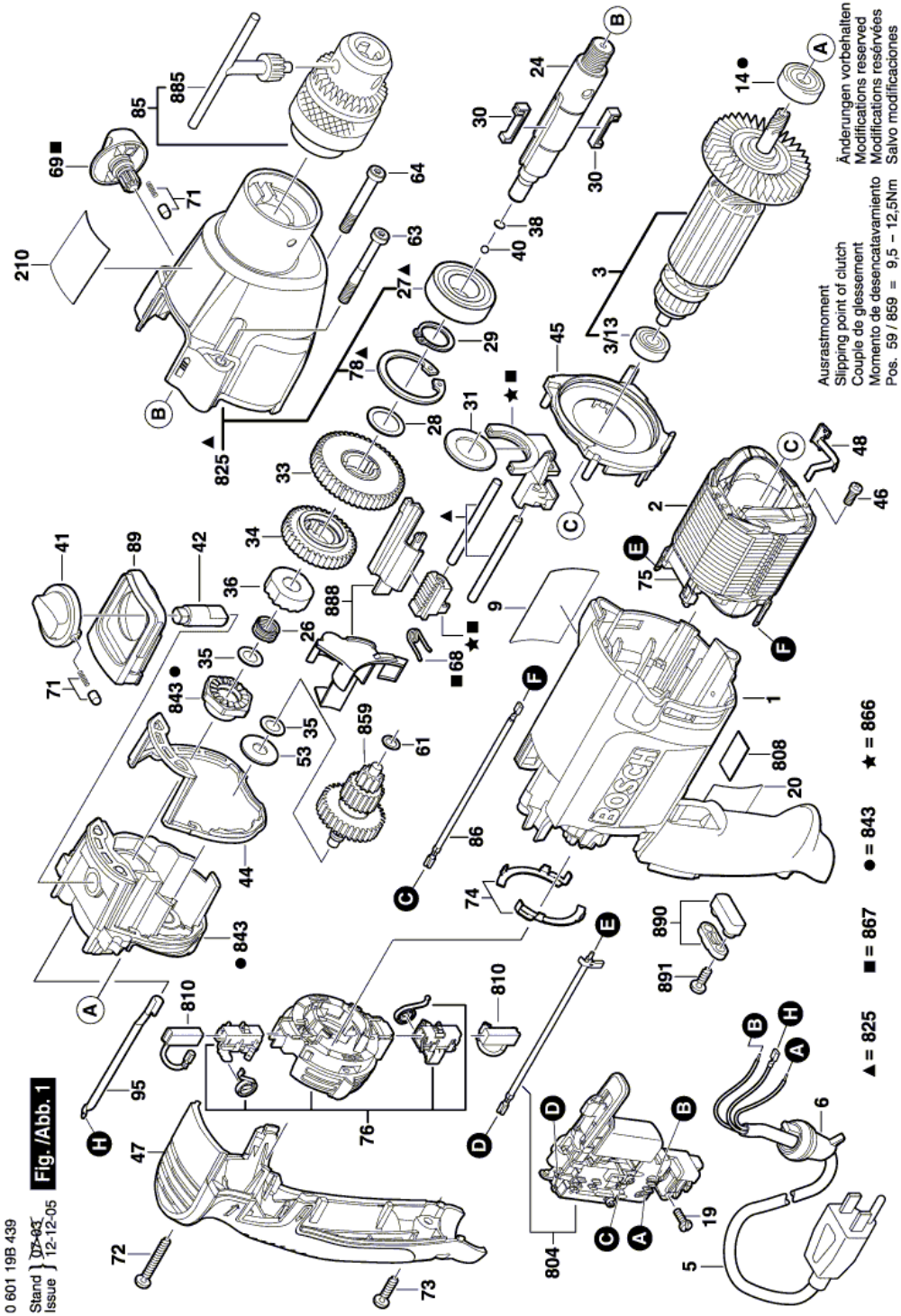


BOSCH

Item	Part Number	Description	Illustration	Price	Quantity	Price Group
1	2 605 105 032	Motor Housing BLUE	1	-,-	1	32
2	2 609 120 464	Field 120V	1	-,-	1	29
3	2 604 011 323	Armature 120V	1	-,-	1	36
3/13	2 600 905 032	Ball Bearing 7x19x6	1	-,-	1	17
5	2 604 460 267	Power supply cord USA/CDN/SAM 4,15m 3 x 0,82mm SJ 18	1	-,-	1	34
6	2 600 707 074	Grommet	1	-,-	1	14
9	2 601 116 341	Manufacturer's nameplate	1	-,-	1	15
14	2 600 905 095	Ball Bearing 9x24x7	1	-,-	1	24
19	2 603 490 017	Torx Oval-Head Screw 3x10	1	-,-	1	10
20	2 601 116 342	Reference Plate	1	-,-	1	15
24	2 606 135 130	Drilling Spindle	1	-,-	1	30
26	2 604 616 013	Compression Spring	1	-,-	1	12
27	1 900 905 163	groove ball bearing 17x35x10	1	-,-	1	23
28	2 600 100 695	Shim 0,5 MM	1	-,-	1	11
29	2 916 650 008	Spring retaining ring DIN 471 17x1 MM	1	-,-	1	11
30	2 602 300 032	Flat Key	1	-,-	2	15
31	2 600 101 671	Retaining Washer	1	-,-	1	11
33	2 606 317 084	Cylindrical Gear	1	-,-	1	25
34	2 606 317 098	Cylindrical Gear	1	-,-	1	24
35	2 600 101 047	Shim 0,3 MM	1	-,-	2	11
36	2 600 190 090	Catch Disk	1	-,-	1	14
38	2 600 000 021	Shim washer 1,0 MM	1	-,-	1	11
38	2 600 000 030	Shim washer 1,35 MM	1	-,-	1	11
38	2 600 000 031	Shim washer 1,7 MM	1	-,-	1	11
40	1 903 230 009	Ball DIN 5401-5 G28	1	-,-	1	10
40	1 903 230 010	Ball DIN 5401-5,5MM-III-ST	1	-,-	1	10
40	2 603 230 007	Ball 5,25 MM	1	-,-	1	10
41	2 602 026 118	Rotary Knob	1	-,-	1	15
42	2 603 120 064	Control Shaft	1	-,-	1	14
44	2 601 015 091	Seal	1	-,-	1	15
45	2 600 148 008	Air Guide Plate	1	-,-	1	16
46	2 603 435 086	Tapping Screw	1	-,-	4	10
47	2 605 132 055	Housing Cover DARK BLUE	1	-,-	1	25

Item	Part Number	Description	Illustration	Price	Quantity	Price Group
48	2 601 324 048	Contact Spring	1	-,-	1	11
53	2 600 550 008	Disc Spring	1	-,-	1	11
61	2 600 100 607	Shim 0,3 MM	1	-,-	1	11
63	2 603 435 084	Headless Screw	1	-,-	2	11
64	2 603 435 085	Headless Screw	1	-,-	1	10
68	2 604 616 014	Compression Spring	1	-,-	1	10
69	2 602 026 117	Rotary Knob BLACK	1	-,-	1	12
71	2 600 590 006	Ratchet Cap	1	-,-	2	11
72	2 603 490 025	Torx Oval-Head Screw 4x30	1	-,-	1	10
73	2 603 490 022	Screw 4x16	1	-,-	2	10
74	1 611 329 024	Switch Contact	1	-,-	2	11
75	1 600 A00 32J	Adapter module	1	-,-	2	11
76	1 614 336 061	Brush Plate	1	-,-	1	28
78	2 916 660 014	Spring retaining ring DIN 472 35x1,5 MM	1	-,-	1	12
85	2 608 571 060	Key Chuck	1	-,-	1	39
86	1 614 448 014	Connecting Cable L=80 MM	1	-,-	1	13
89	2 605 510 206	Bulb Shield BLACK	1	-,-	1	13
95	2 601 329 105	Bow	1	-,-	1	12
210	2 601 116 318	Reference Plate	1	-,-	1	15
653	2 602 025 139	Auxiliary Handle	2	-,-	1	26
653/120	1 612 025 019	Auxiliary Handle M8	2	-,-	1	19
653/121	2 608 040 235	Support clamp	2	-,-	1	19
653/124	1 611 316 006	Clamping Band Ø43 MM	2	-,-	1	13
653/125	1 613 490 002	T-Head Bolt M8x40 MM	2	-,-	1	14
655	1 613 001 009	Depth-Gauge SW 6x210 MM	2	-,-	1	15
804	2 607 200 918	Switch	1	-,-	1	35
808	2 601 116 346	Marking Plate	1	-,-	1	14
810	1 617 000 525	Carbon-Brush Set	1	-,-	1	23
825	2 605 806 892	Gear Housing	1	-,-	1	35
843	2 605 700 943	Bearing Bracket	1	-,-	1	34
859	2 606 309 933	Transmission	1	-,-	1	34
866	2 602 033 018	Adjusting Slide	1	-,-	1	15
867	2 606 308 925	Toothed rack	1	-,-	1	16
885	2 607 950 007	Chuck Wrench SG2	1	-,-	1	19
888	2 601 328 900	Holding Plate BLACK	1	-,-	1	14
890	2 607 001 305	Fastening parts kit	1	-,-	1	16
891	2 603 410 046	Cross Recessed-Head Screw M3x5	1	-,-	1	12

Illustration - Type E



0 601 19B 439
Stand | **DS-98**
Issue | 12-12-05

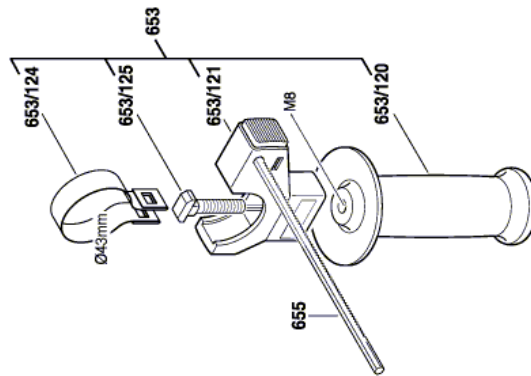
Fig. /Abb. 1

Änderungen vorbehalten
Modifications reserved
Modifications réservées
Salvo modificaciones

Auslastungsmoment
Slipping point of clutch
Couple de glissement
Momento de desencatavamiento
Pos. 59 / 859 = 9,5 - 12,5Nm

▲ = 825
■ = 867
● = 843
★ = 866

Illustration - Type E



0 601 19B 439
Stand } 09-03
Issue } 05-08-09
Fig./Abb. 2

Änderungen vorbehalten
Modifications reserved
Modificacions reserves
Salvo modificaciones

Information subject to change without further notice.