

## Percussion Drill - 0 601 198 734 - 1198 VSR

www.powertools-aftersaleservice.com

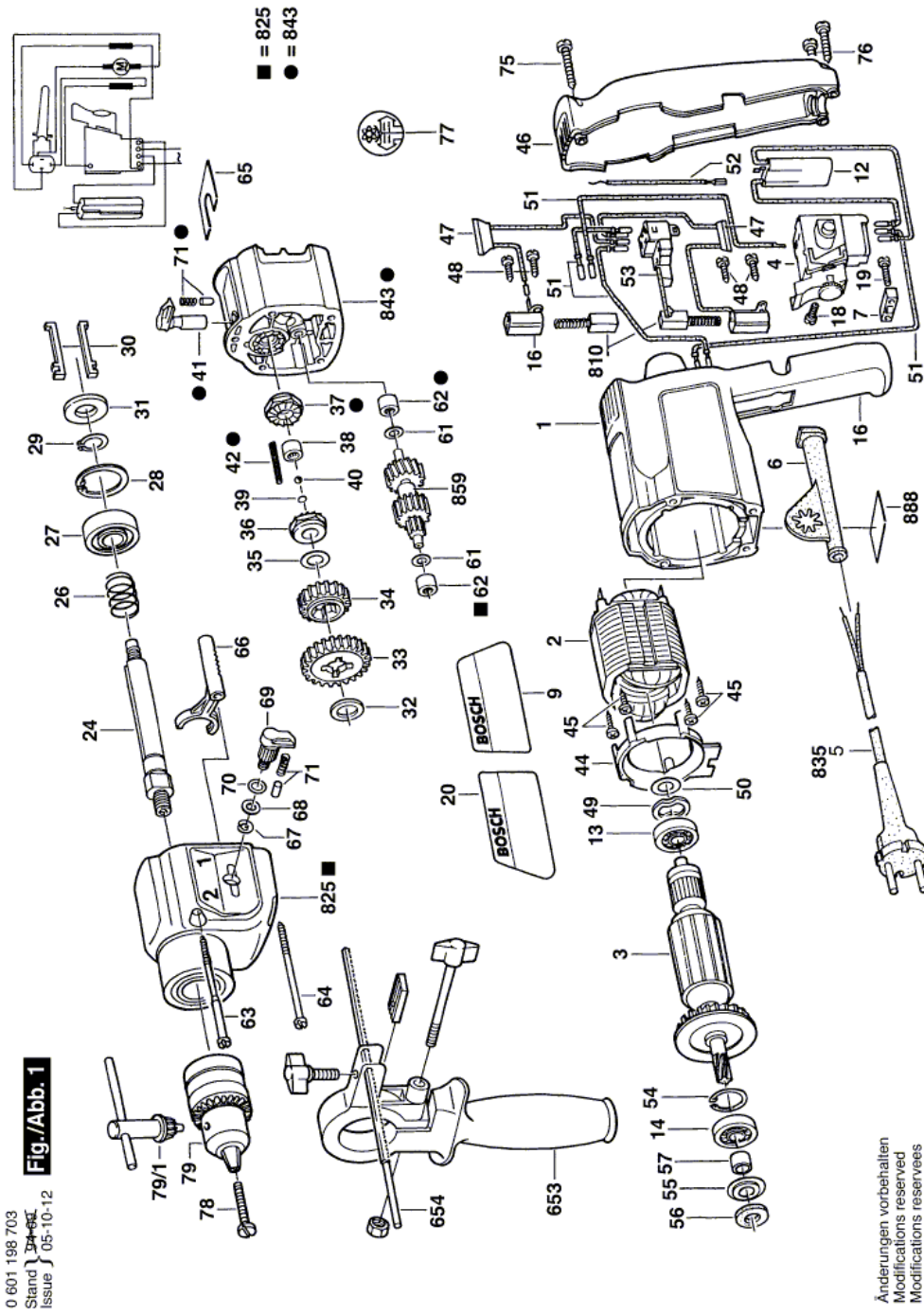


**BOSCH**

Item	Part Number	Description	Illustration	Price	Quantity	Price Group
1	2 605 104 184	Motor Housing BLUE	1	-,-	1	32
2	2 604 220 440	Field 115V	1	-,-	1	32
3	2 604 010 633	Armature 115V	1	-,-	1	37
4	2 607 200 210	Switch	1	-,-	1	38
4	2 607 200 189	Switch	1	-,-	1	36
5	2 604 460 129	Power supply cord USA/CDN 2,15m 2 x 082mm SJ 18/2	1	-,-	1	27
6	2 600 707 060	Grommet Ø11,6-Ø12,5x84 MM	1	-,-	1	13
6	2 600 707 061	Grommet Ø8,8 MM	1	-,-	1	11
7	2 601 035 001	Cable Clip	1	-,-	1	11
9	2 601 110 384	Sticker	1	-,-	1	-
13	1 900 905 018	Deep-Groove Ball Bearing 7x22x7	1	-,-	1	29
14	2 600 905 021	Deep-Groove Ball Bearing 9x24x7	1	-,-	1	21
16	2 604 448 034	Connecting Cable L=88 MM WHITE	1	-,-	2	11
16	2 604 448 016	Connecting Cable L=52MM WHITE	1	-,-	2	11
18	2 603 410 001	Socket head cap screw M3x6,5-4.8	1	-,-	2	11
19	2 603 490 022	Torx Oval-Head Screw 4x16	1	-,-	2	10
20	2 601 110 203	Sticker	1	-,-	1	16
24	2 606 135 013	Drilling Spindle 1/2"	1	-,-	1	28
26	2 604 616 002	Compression Spring	1	-,-	1	11
27	1 900 905 163	Deep-Groove Ball Bearing 17x35x10	1	-,-	1	23
28	2 916 660 014	Spring retaining ring DIN 472 35x1,5 MM	1	-,-	1	13
29	2 916 650 008	Spring retaining ring DIN 471 17x1 MM	1	-,-	1	11
30	2 602 300 028	Flat Key	1	-,-	2	15
31	2 600 101 671	Retaining Washer	1	-,-	1	11
32	2 600 101 515	Shim 1,0 MM	1	-,-	1	12
33	2 606 317 045	Cylindrical Gear Z=48	1	-,-	1	27
34	2 606 317 037	Cylindrical Gear Z=36	1	-,-	1	30
35	2 600 101 616	Shim 0,5 MM	1	-,-	2	12
35	2 600 101 617	Shim 0,3 MM	1	-,-	1	11
36	2 600 190 052	Catch Disk	1	-,-	1	21
37	2 600 190 051	Catch Disk	1	-,-	1	23
38	2 600 917 003	Needle bearing Ø8x8 MM	1	-,-	1	14
39	2 600 000 012	Shim washer 0,2 MM	1	-,-	3	11

Item	Part Number	Description	Illustration	Price	Quantity	Price Group
39	2 600 000 014	Shim washer 0,5 MM	1	-,-	2	11
40	1 903 230 010	Ball DIN 5401-5,5MM-III-ST	1	-,-	1	10
41	2 602 026 017	Rotary Knob	1	-,-	1	18
42	2 917 780 105	Slotted Spring Pin 4x30 MM DIN 7346	1	-,-	1	10
44	2 601 328 033	Cover Disc	1	-,-	1	13
45	2 603 435 015	Recessed-Head Screw DIN 7981-ST3,5x9,5-F	1	-,-	4	11
46	2 605 132 040	Housing Cover BLUE	1	-,-	1	21
47	2 604 449 047	Brush Holder	1	-,-	1	13
48	2 603 490 017	Torx Oval-Head Screw 3x10	1	-,-	4	10
49	2 600 150 004	Shim	1	-,-	1	11
50	2 600 101 020	Shim 0,5 MM	1	-,-	1	11
50	2 600 101 022	Shim 0,2 MM	1	-,-	1	11
50	2 600 101 023	Shim 0,3 MM	1	-,-	1	11
51	2 604 448 005	Cable L=130 MM WHITE	1	-,-	4	11
52	2 604 448 003	Cable	1	-,-	1	12
53	1 617 200 042	Switch	1	-,-	1	25
54	2 916 660 008	Spring retaining ring DIN 472-24x1,2 MM	1	-,-	1	11
55	2 600 500 002	Cupped Washer	1	-,-	1	11
56	2 600 108 077	Felt Washer	1	-,-	1	11
57	2 600 400 008	Receptacle	1	-,-	1	11
61	2 600 100 607	Shim 0,3 MM	1	-,-	3	11
62	2 600 914 010	Needle bearing Ø6 MM	1	-,-	2	14
63	2 603 435 012	Tapping Screw 79 MM	1	-,-	2	11
64	2 603 435 071	Headless Screw 65 MM	1	-,-	2	13
65	2 601 110 076	Sticker DRILL/IMPACT DRILL	1	-,-	1	11
66	2 602 033 006	Adjusting Slide	1	-,-	1	14
67	2 916 080 007	Locking Washer DIN 6799-4-FSt	1	-,-	1	10
68	2 600 100 618	Shim washer	1	-,-	1	11
69	2 602 026 038	Rotary Knob BLACK	1	-,-	1	16
70	2 607 010 226	Parts Set	1	-,-	1	11
71	2 600 590 006	Ratchet Cap	1	-,-	2	11
75	2 603 490 024	Torx Oval-Head Screw 4x25	1	-,-	1	11
76	2 603 490 023	Torx Oval-Head Screw 4x20	1	-,-	2	10
77	2 601 110 230	Sticker YELLOW	1	-,-	1	11
78	2 603 421 226	Countersunk-Head Screw M6x27 LEFTHAND THREADS	1	-,-	1	11
79	1 608 571 069	Chuck Ø1,5-13 MM, 1/2"	1	-,-	1	32
79/1	2 607 950 007	Chuck Wrench SG2	1	-,-	1	18
200	2 604 449 046	Brush Holder	N/A	-,-	1	13
203	2 600 409 014	Shrinkable Tube 25-1MM	N/A	-,-	4	11
653	1 612 025 031	Auxiliary Handle Ø43 MM BLACK	1	-,-	1	24
654	1 613 001 005	Depth-Gauge SW 6x210 MM	1	-,-	1	-
655	2 915 011 007	Hex Nut DIN 934-M6-8-A	N/A	-,-	2	10
656	1 613 480 007	Wing Screw M6x(15)55	N/A	-,-	1	11
810	2 604 321 905	Carbon-Brush Set	1	-,-	1	23
825	2 605 806 990	Gear Housing BLUE	1	-,-	1	30
843	2 605 700 936	Intermediate Flange	1	-,-	1	36
859	2 606 100 903	Toothed Shaft Z= 10/22/29	1	-,-	1	31
888	1 601 106 032	Nameplate 26x52 MM	1	-,-	1	13

Illustration - Type E



Information subject to change without further notice.