

Percussion Drill - 3 601 B18 110 - 1191VSR

www.powertools-aftersaleservice.com

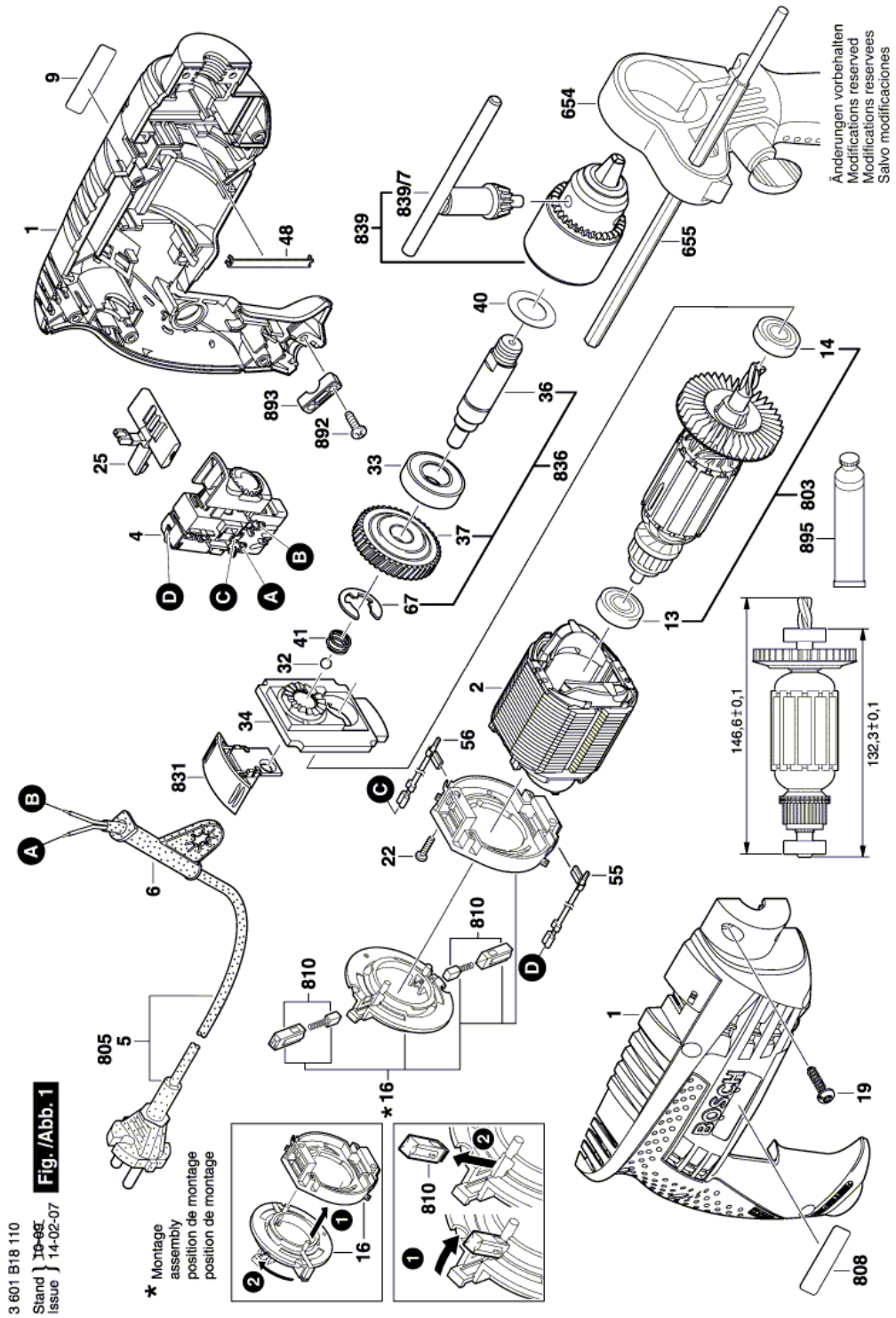


BOSCH

Item	Part Number	Description	Illustration	Price	Quantity	Price Group
1	2 609 100 579	Housing	1	-,-	1	31
2	2 604 220 660	Field 100-120V	1	-,-	1	32
4	1 607 200 272	Switch	1	-,-	1	33
5	2 604 460 188	Power supply cord USA/CDN 2,68m 2 x 0,82mm SJ 18/2	1	-,-	1	26
6	2 600 707 060	Grommet Ø11,6-Ø12,5x84 MM	1	-,-	1	13
9	2 609 131 432	Nameplate 1191 VSRK	1	-,-	1	13
13	2 609 110 153	Ball Bearing 8x22x7	1	-,-	1	18
14	2 609 110 491	Ball Bearing	1	-,-	1	17
16	2 604 337 061	Brush Plate	1	-,-	1	25
19	2 603 490 022	Screw 4x16	1	-,-	7	10
22	2 910 611 002	Tapping Screw DIN 7981-ST2,2x9,5-C-H	1	-,-	2	10
25	2 609 100 580	Lever	1	-,-	1	11
32	1 903 230 010	Ball DIN 5401-5,5MM-III-ST	1	-,-	1	10
33	2 600 905 068	groove ball bearing 15x32x9	1	-,-	1	25
34	2 609 199 115	Bearing Bracket	1	-,-	1	27
36	2 609 110 449	Drilling Spindle	1	-,-	1	24
37	2 606 320 092	Conversion Gear	1	-,-	1	22
40	2 600 100 105	Plain Washer	1	-,-	1	10
41	2 604 616 006	Compression Spring	1	-,-	1	11
48	2 609 110 627	Spring Clip	1	-,-	1	10
55	2 609 120 221	Connecting Cable WHITE	1	-,-	1	11
56	2 609 120 222	Connecting Cable RED	1	-,-	1	11
67	2 609 110 481	Spring retaining ring	1	-,-	1	11
654	2 602 025 094	Auxiliary Handle	1	-,-	1	20
655	2 609 005 615	Depth-Gauge	1	-,-	1	16
803	2 609 120 234	Armature 110-120V	1	-,-	1	36
808	2 609 131 435	Nameplate	1	-,-	1	13
810	1 607 000 CJ1	Brush Holder	1	-,-	1	19
831	2 609 160 127	Change-Over Switch	1	-,-	1	15
836	2 609 160 124	Drilling Spindle	1	-,-	1	29
839	1 608 571 080	Key Chuck Ø1,5-13 MM	1	-,-	1	32
839/7	2 607 950 007	Chuck Wrench SG2	1	-,-	1	19
892	2 603 490 022	Screw 4x16	1	-,-	2	10

Item	Part Number	Description	Illustration	Price	Quantity	Price Group
893	2 601 035 001	Cable Clip	1	-,-	1	11
895	3 605 430 003	Grease Tube Albida	1	-,-	1	32

Illustration - Type E



Information subject to change without further notice.