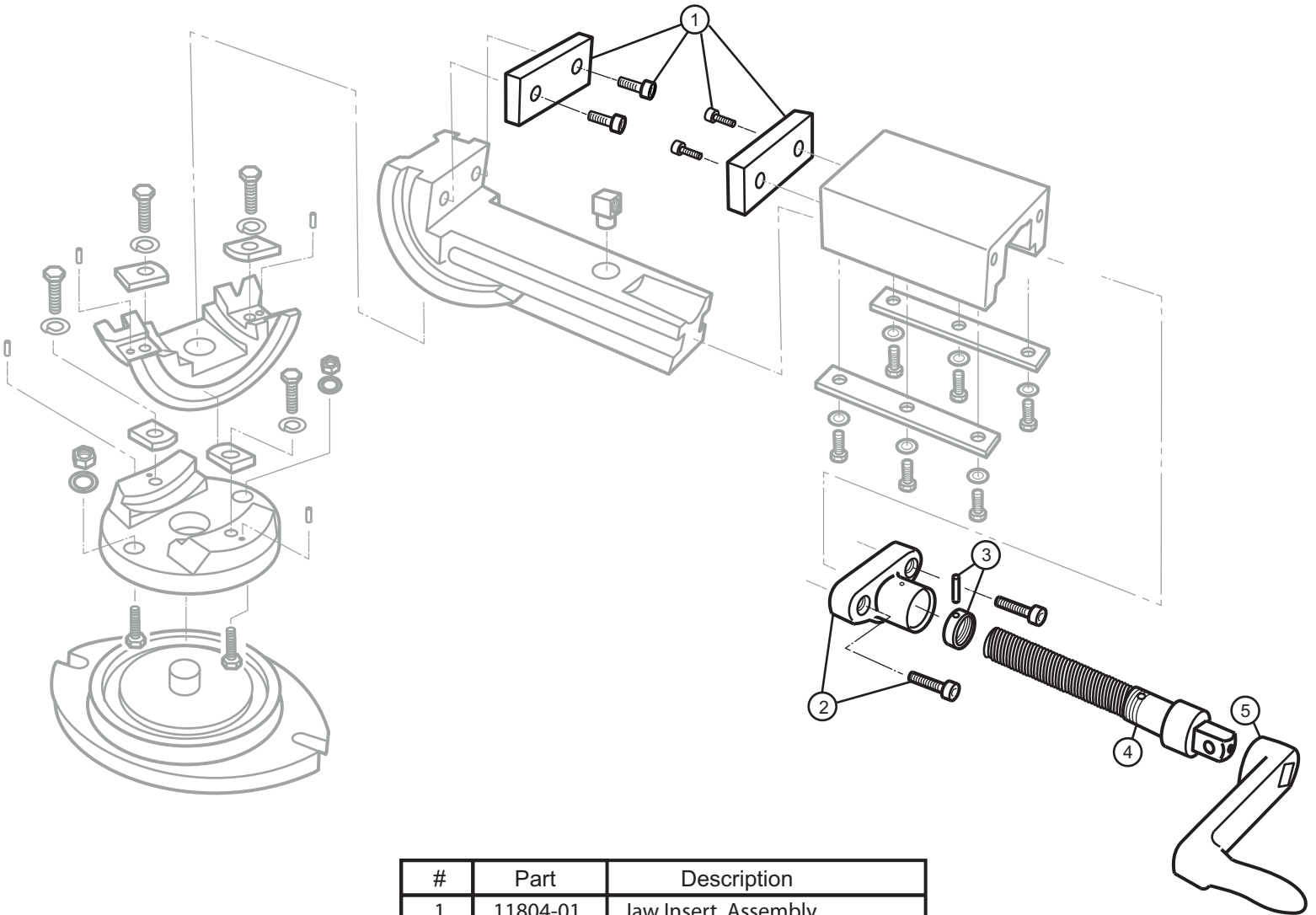




Super Precision 3-Axis Tilting Machine Vise Parts Diagram

6" Jaw Width, 6" Jaw Opening, 1-3/4" Jaw Depth

Stock #: 11804 Model #: TLT/SP -150



#	Part	Description
1	11804-01	Jaw Insert Assembly
2	11804-02	Sleeve and Socket Head (2)
3	11804-03	Collar and Roll Pin
4	11804-04	Clamp Screw
5	11804-05	Handle