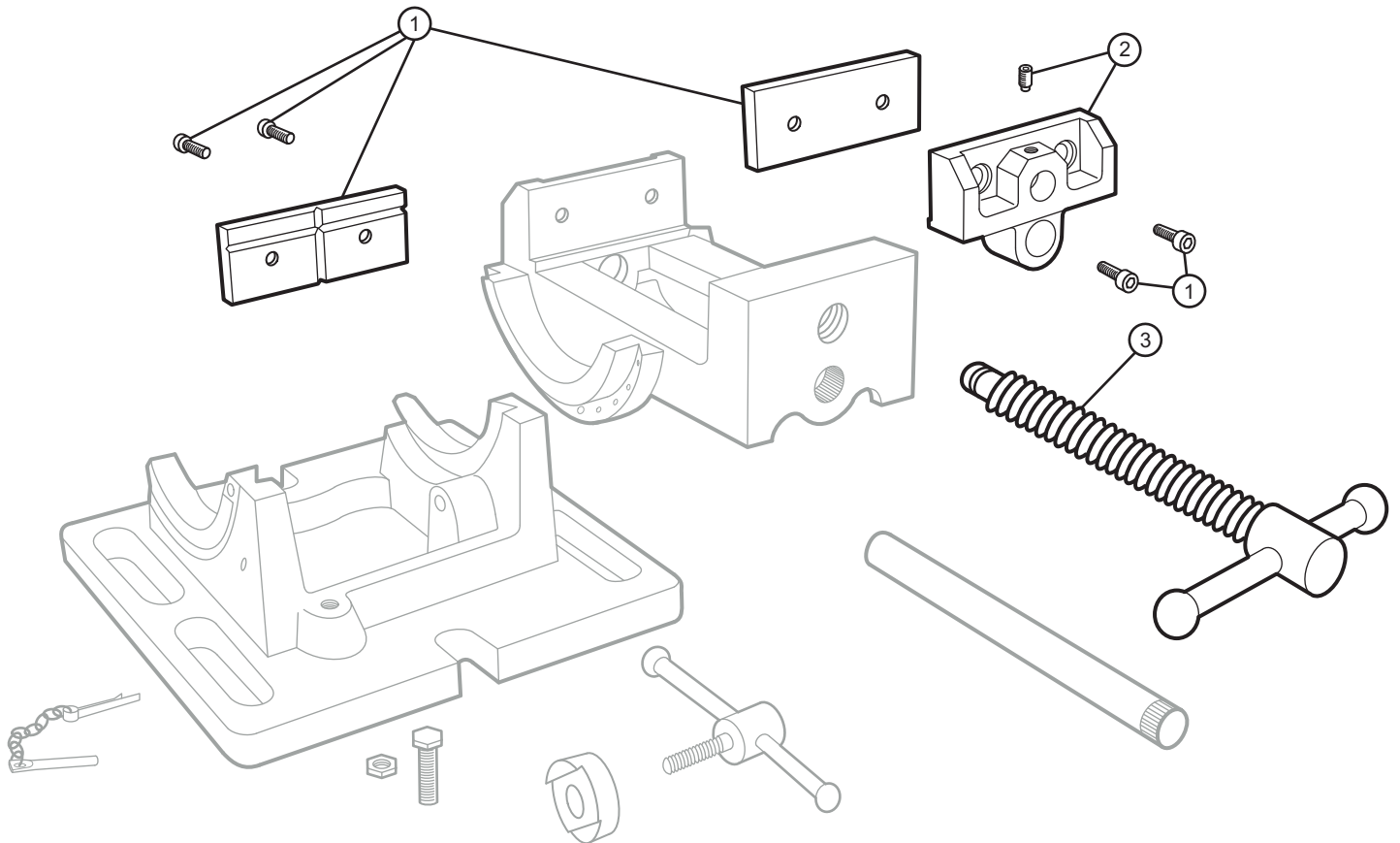




### 3" Cradle Style Angle Drill Press Vise - Parts Diagram

3" Jaw Width, 3" Jaw Opening, 1-1/8" Jaw Depth

Stock #: 11753 Model #: CR3



#	Part	Description
1	11753-01	Jaw Insert Assembly (4 screws)
2	11753-02	Movable Jaw & Screw
3	11753-03	Spindle & Handle Assembly