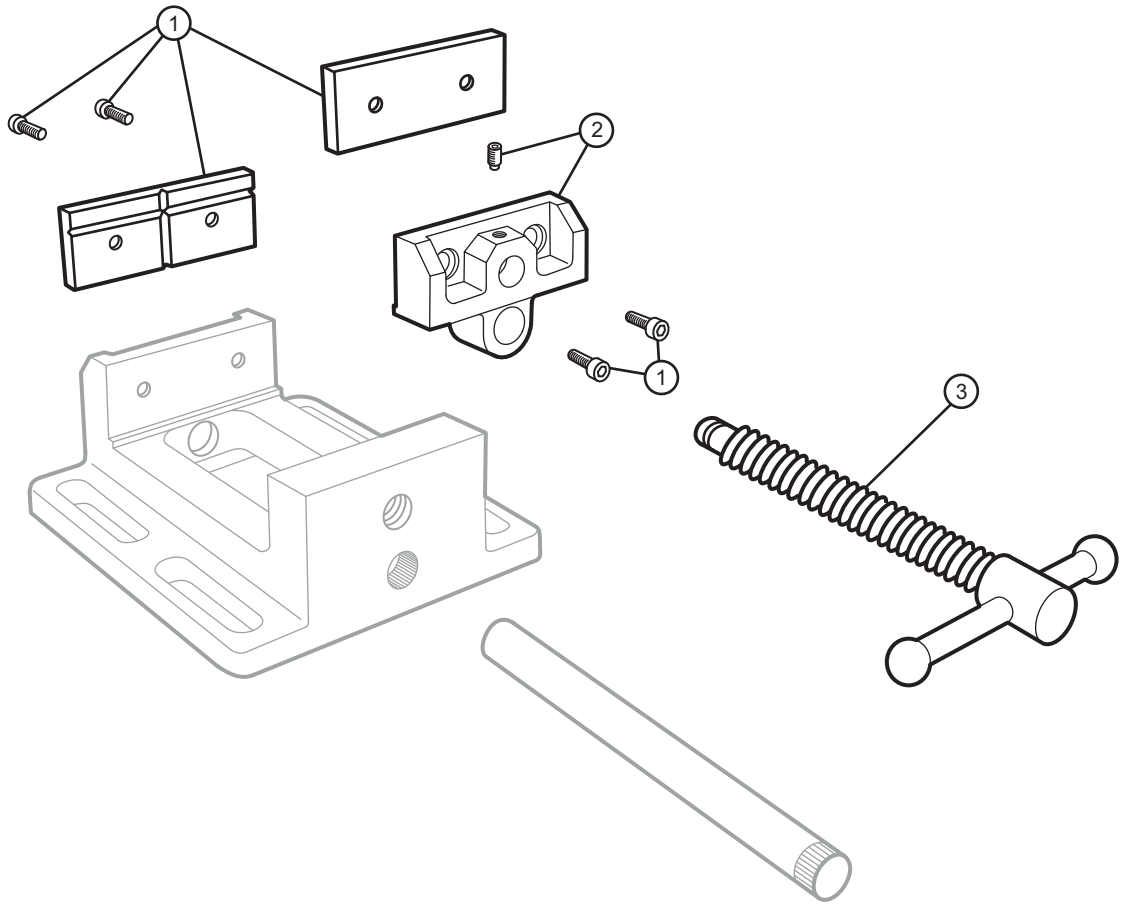




4" Low Profile Drill Press Vise - Parts Diagram

4" Jaw Width, 4" Jaw Opening, 1-1/2" Jaw Depth

Stock #: 11744 Model #: LP4



#	Part	Description
1	11744-01	Jaw Insert Assembly (4 screws)
2	11744-02	Movable Jaw & Screw
3	11744-03	Spindle & Handle Assembly