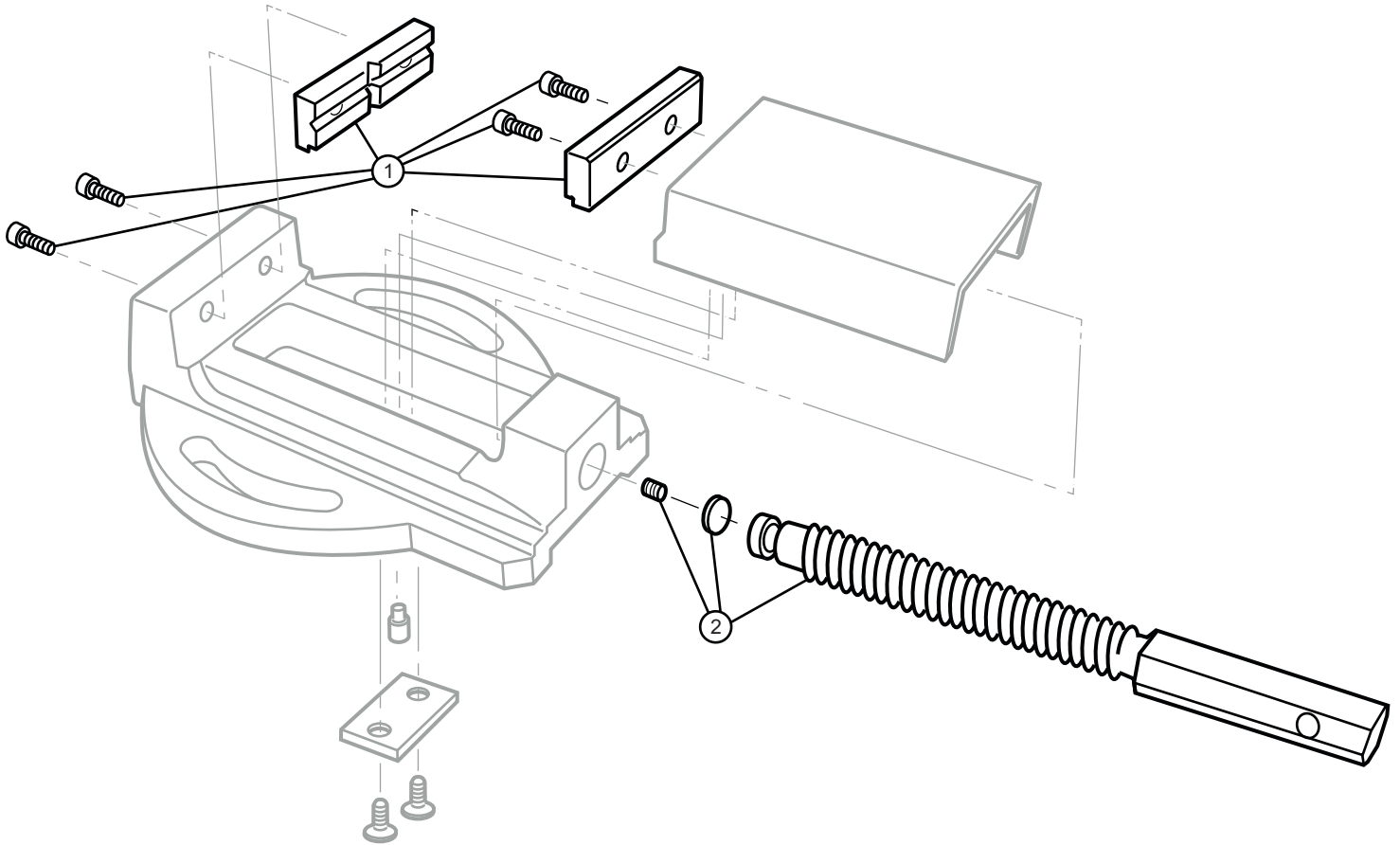


WILTON® walter meier

Super Precision Drill Press Vise Parts Diagram

4" Jaw Width, 4" Jaw Opening, 1-1/4" Jaw Depth

Stock #: 11719 Model #: DPV/100



#	Part	Description
1	11719-01	Jaw Insert Assembly
2	11719-02	Clamp Screw