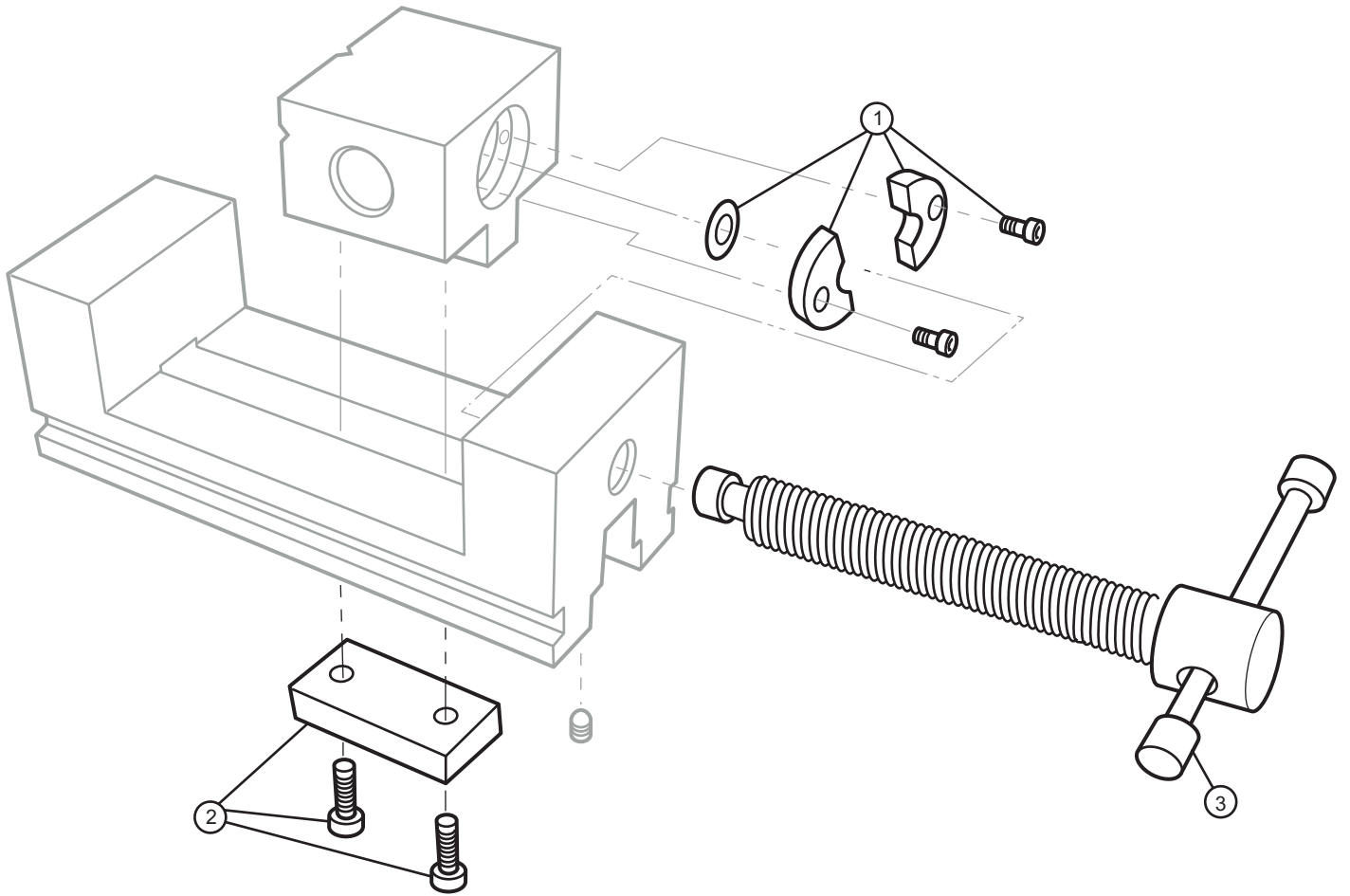




Super Precision Tool Makers Steel Vise Parts Diagram
2-3/4" Jaw Width, 3" Jaw Opening, 1-9/16" Jaw Depth
Stock #: 11716 Model #: TMV/ST/4



#	Part	Description
1	11716-01	Split Nut
2	11716-02	Plate
3	11716-03	Clamp Screw