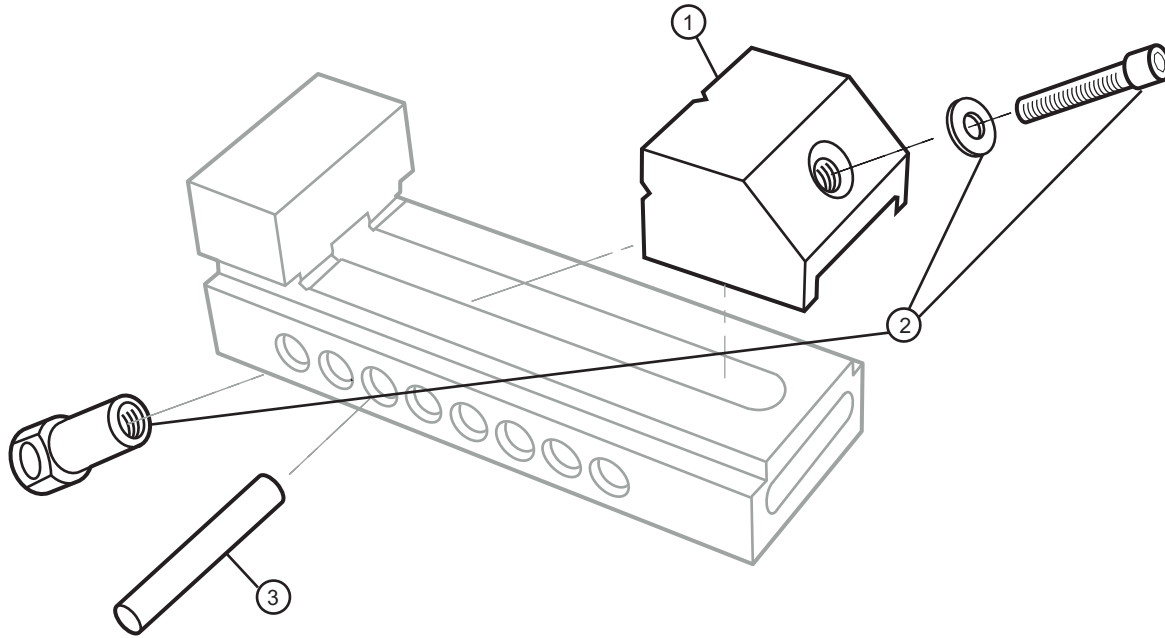




**Super Precision Tool Makers Screwless Vise Parts Diagram**

2" Jaw Width, 3-1/8" Jaw Opening, 1" Jaw Depth

Stock #: 11714 Model #: TMV/2



#	Part	Description
1	11714-01	Movable Jaw
2	11714-02	Pull Down Barrel
3	11714-03	Pin