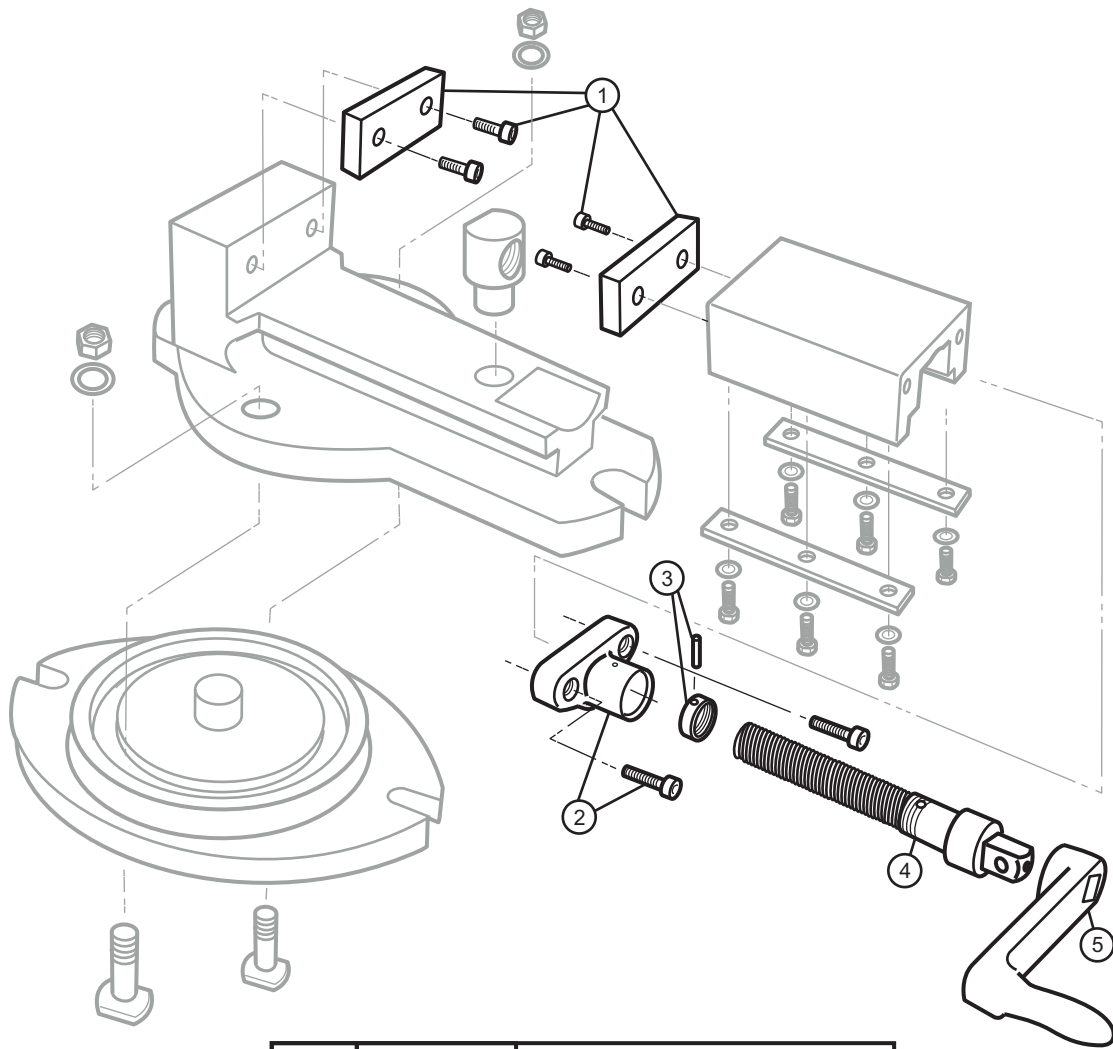




**Super Precision Milling Machine Vise Parts Diagram**

4"Jaw Width, 4"Jaw Opening, 1-9/16" Jaw Depth

Stock #: 11709 Model #: MMV/SP-100



#	Part	Description
1	11709-01	Jaw Insert Assembly
2	11709-02	Sleeve and Socket Head (2)
3	11709-03	Collar and Roll Pin
4	11709-04	Clamp Screw
5	11709-05	Handle