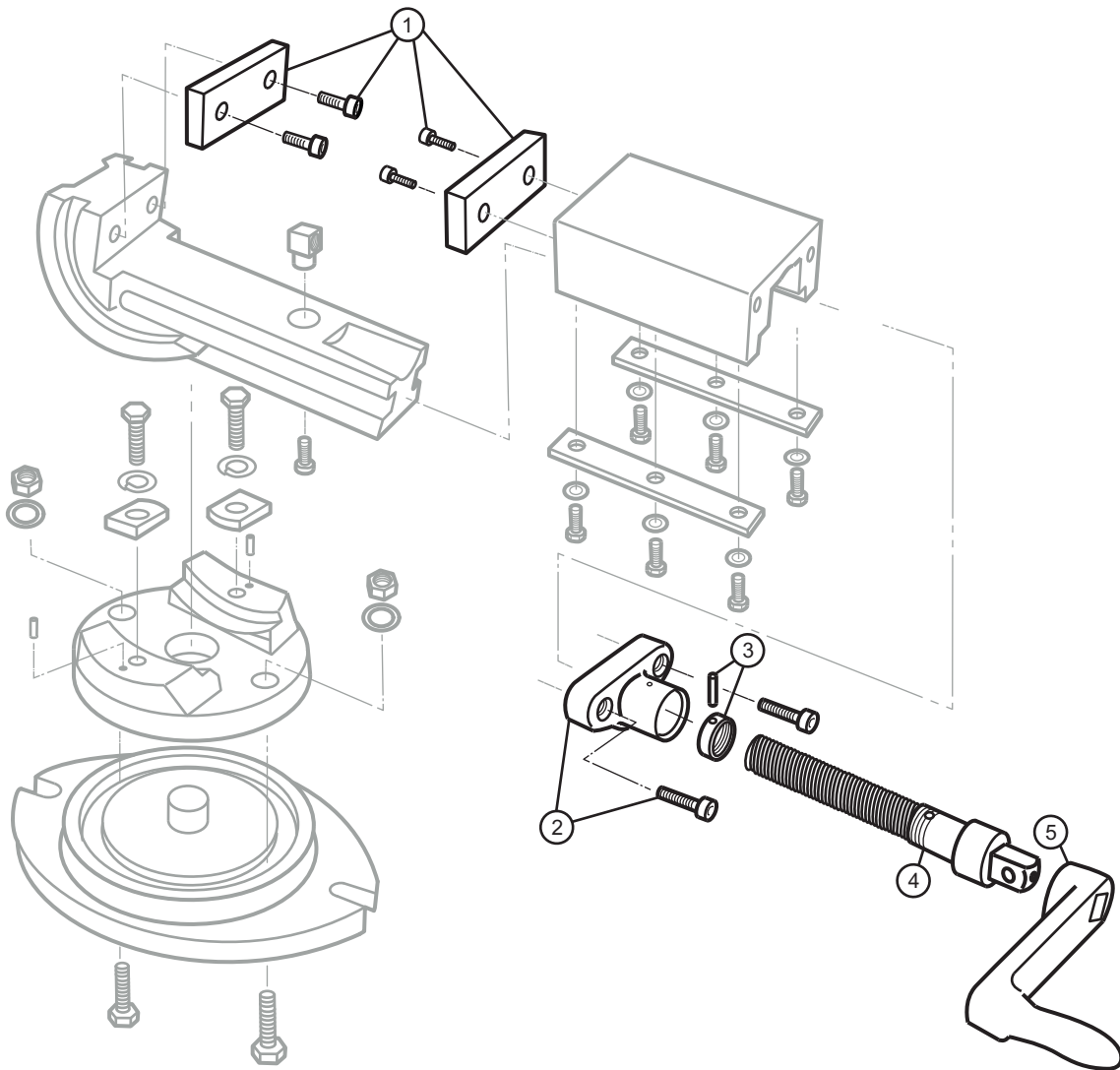




Super Precision 2-Axis Angular Machine Vise Parts Diagram

5" Jaw Width, 5" Jaw Opening, 2" Jaw Depth

Stock #: 11706 Model #: AMV/SP-125



#	Part	Description
1	11706-01	Jaw Insert Assembly
2	11706-02	Sleeve and Socket Head (2)
3	11706-03	Collar and Roll Pin
4	11706-04	Clamp Screw
5	11706-05	Handle