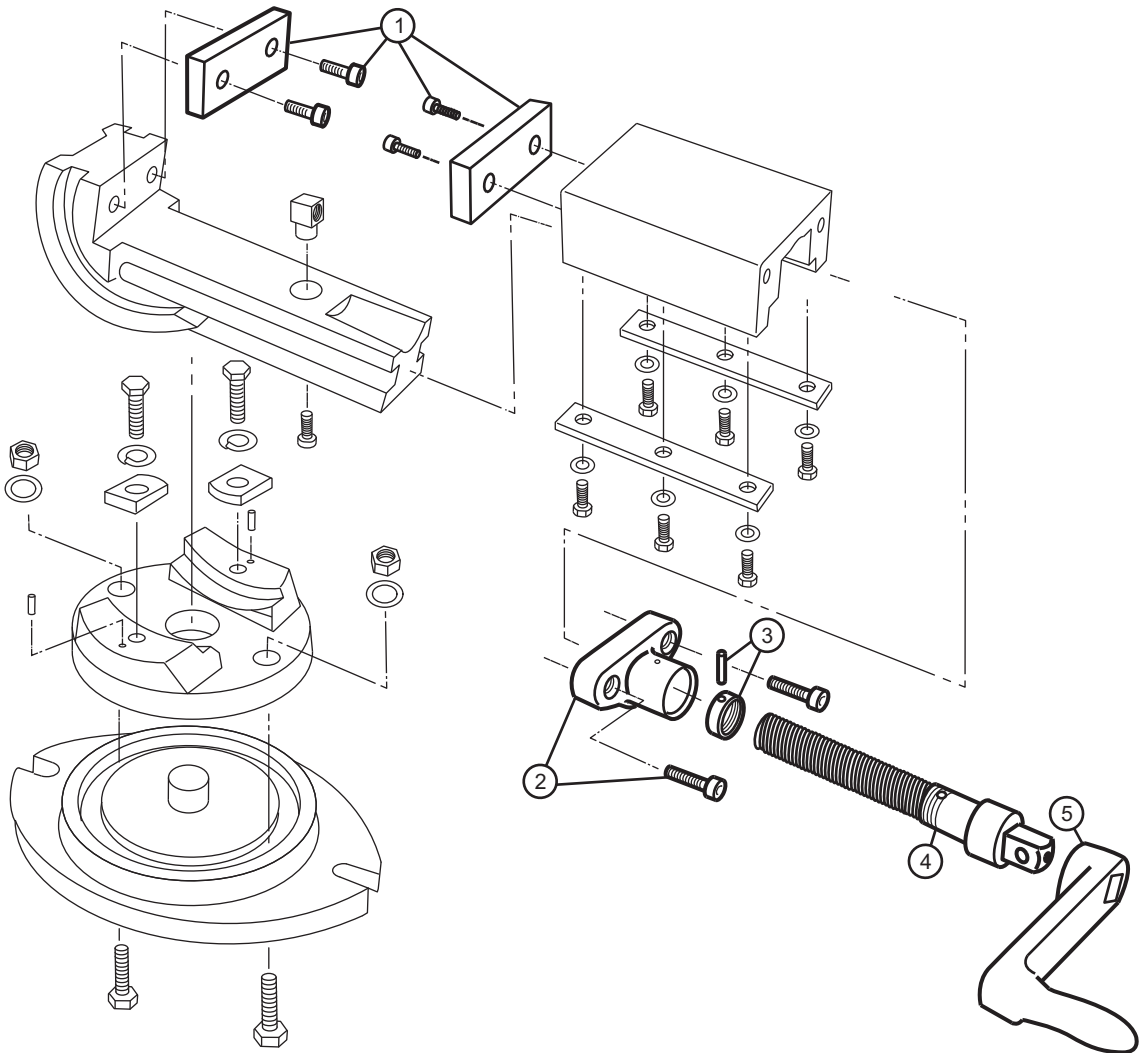




**Super Precision 2-Axis Angular Machine Vise Parts Diagram**

3" Jaw Width, 3" Jaw Opening, 1-5/16" Jaw Depth

Stock #: 11704 Model #: AMV/SP-75



#	Part	Description
1	11704-01	Jaw Insert Assembly
2	11704-02	Sleeve and Socket Head (2)
3	11704-03	Collar and Roll Pin
4	11704-04	Clamp Screw
5	11704-05	Handle