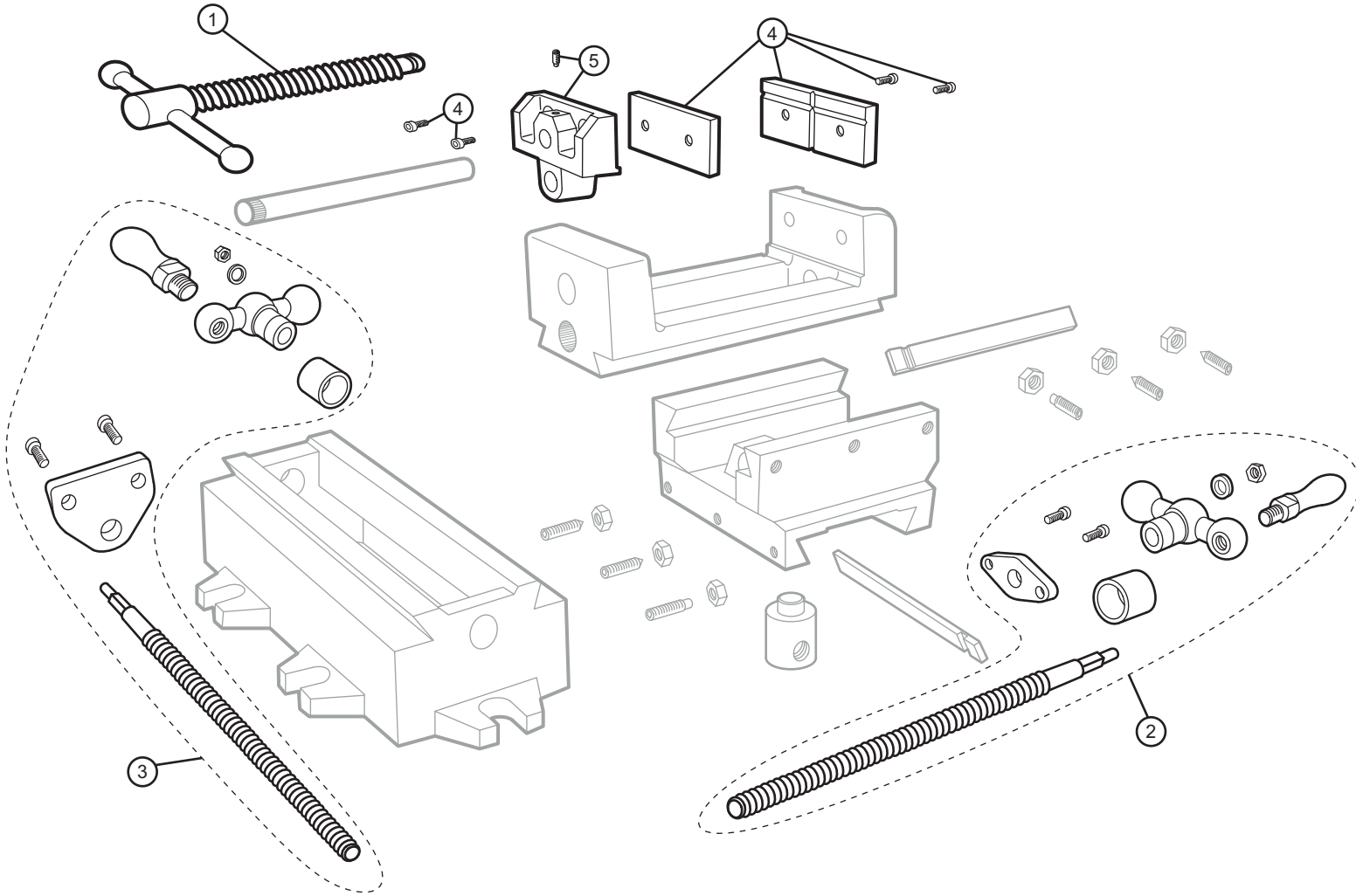




**4" Cross Slide Drill Press Vise - Parts Diagram**

4" Jaw Width, 4" Jaw Opening, 1-3/8" Jaw Depth

Stock #: 11694 Model #: CS4



#	Part	Description
1	11694-01	Handle & Spindle Assembly - 1
2	11694-02	Handle & Spindle Assembly - 2
3	11694-03	Handle & Spindle Assembly - 3
4	11694-04	Jaw Insert Assembly
5	11694-05	Moveable Jaw with Screw