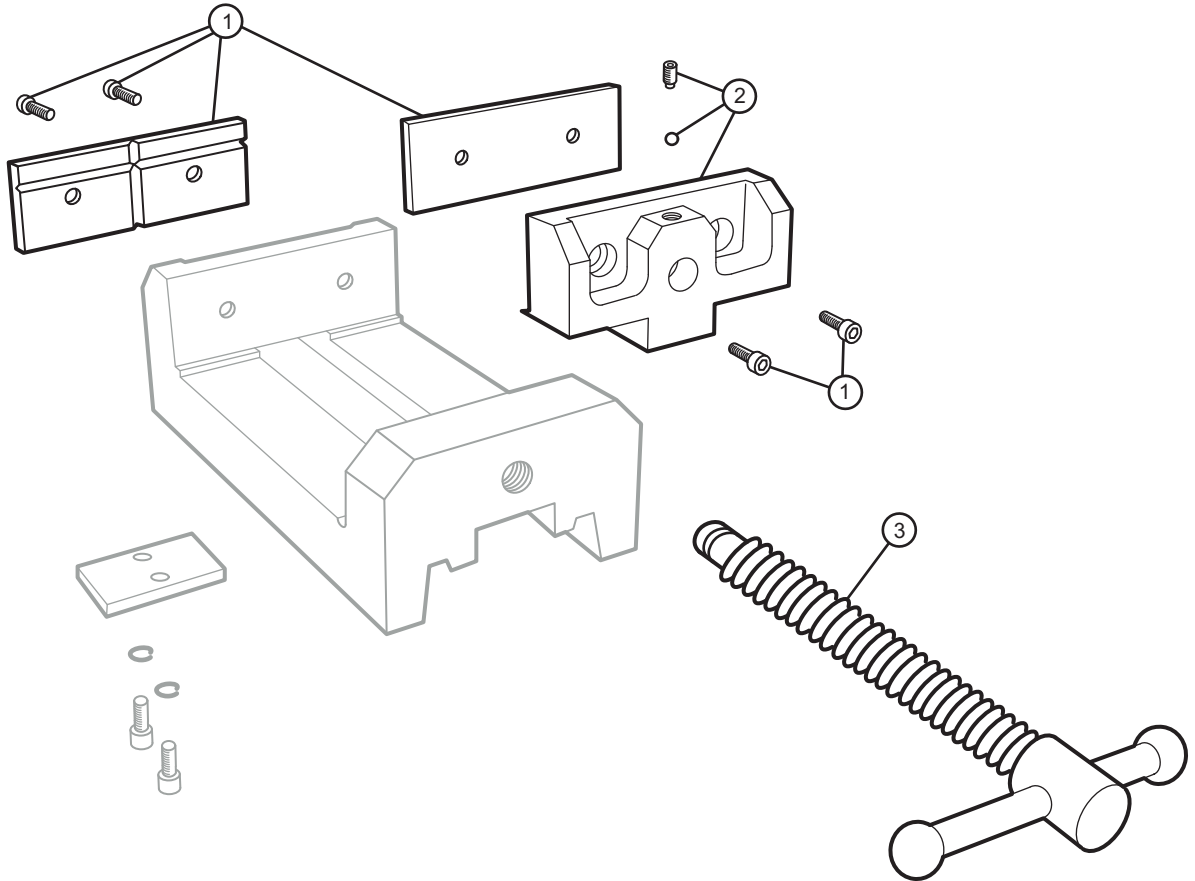




6" Industrial Drill Press Vise - Parts Diagram

6" Jaw Width, 6" Jaw Opening, 2" Jaw Depth

Stock #: 11676 Model #: DI66



#	Part	Description
1	11676-01	Jaw Insert Assembly (4 screws)
2	11676-02	Movable Jaw & Screw
3	11676-03	Spindle & Handle Assembly