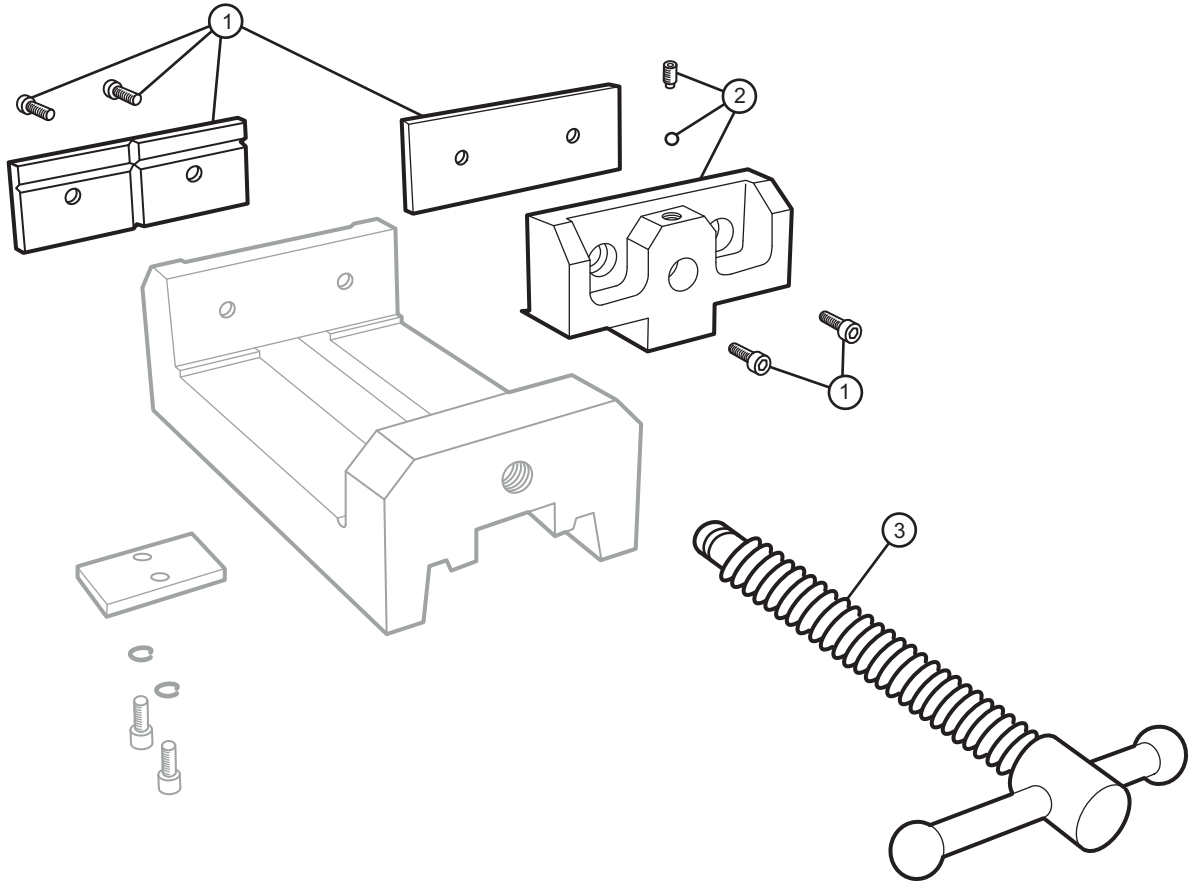




4" Industrial Drill Press Vice - Parts Diagram

4" Jaw Width, 4" Jaw Opening, 1-1/2" Jaw Depth

Stock #: 11674 Model #: DI44



#	Part	Description
1	11674-01	Jaw Insert Assembly (4 screws)
2	11674-02	Movable Jaw & Screw
3	11674-03	Spindle & Handle Assembly