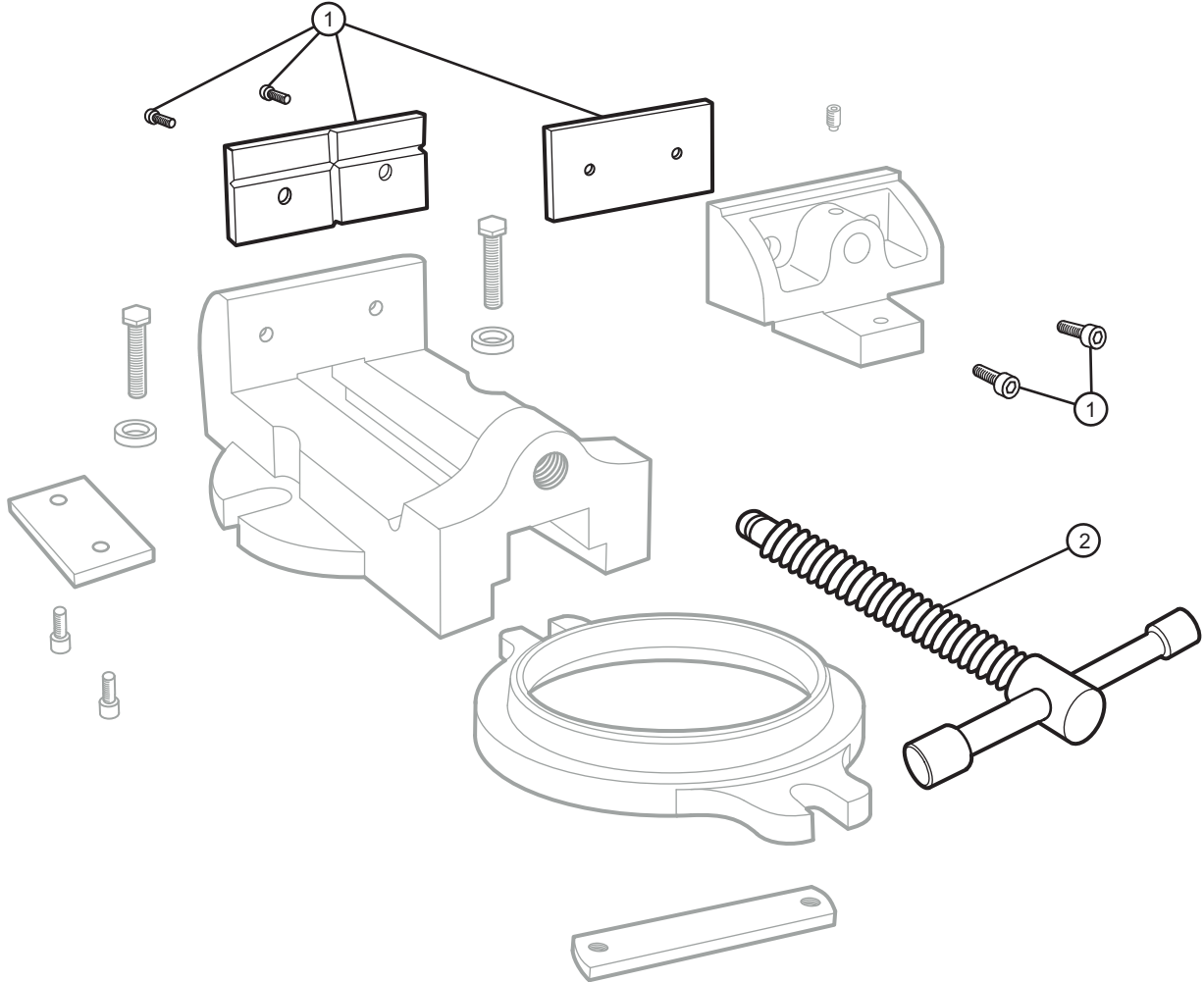




6" Milling Machine Vise with Base - Parts Diagram

6" Jaw Width, 6" Jaw Opening, 2" Jaw Depth

Stock #: 11605 Model #: MV6B



#	Part	Description
1	11605-01	Jaw Insert Assembly (4 screws)
2	11605-02	Spindle & Handle Assembly