



BOSCH

Demolition Hammer

11321EVS | 3 611 C21 012

Table of Content

Spare parts list.....	2
Illustration - Type.....	6

Spare parts list				
Item	Part Number	Description		Illustration
1	1 615 102 161	Motor Housing	BLUE	1
2	1 614 220 133	Field	100-115V	1
4	1 617 200 095	Switch		1
5	1 614 461 035	Power supply cord	USA/CDN 3,1m 3 x 2,08mm SJ0W	1
6	1 600 703 035	Grommet	Ø8,7-Ø9,6x66 MM	1
7	1 601 302 019	Fastening Clamp		1
9	1 611 110 D63	Manufacturer's nameplate		1
13	1 610 900 026	groove ball bearing	8x24x8	1
14	1 610 905 041	groove ball bearing	12x32x10	1
15	1 616 610 090	Fan		1
16	1 610 499 055	Ratchet Sleeve		1
17	1 610 241 000	Catch Disk		1
18	1 614 601 030	Retaining ring		1
21	1 610 508 038	Protective Cap		1
22	1 600 A02 21L	Protection Sleeve		1
23	1 610 520 001	Stop Sleeve		1
25	1 612 300 036	Stopping Device		1
26	1 600 A01 9WL	Indexing Disk		1
27	1 610 591 028	Air-Deflector Ring		1
28	1 614 621 010	Compression Spring		1
31	1 610 290 049	Damping Ring		1
34	1 610 516 013	Flange		1
35	1 615 806 214	Hammer Pipe		1
37	1 615 500 390	Bearing Pedestal		1
38	1 615 190 158	Covering hood	BLUE	1
42	1 614 336 085	Brush Holder		1
43	1 615 500 410	Fan Cover	BLACK	1
44	1 614 621 007	Compression Spring		1
45	1 610 499 064	Control Bushing		1
53	1 610 102 054	Support Disc		1
57	1 618 710 089	Striker		1
69	1 610 099 005	Retaining Bracket		1
72	1 600 A01 4S6	Eccentric Cog Wheel		1
73	1 605 500 2EP	Housing Cover		1

Spare parts list

Item	Part Number	Description	Illustration
74	1 600 A00 73C	Holding-Down-Appliance	1
75	1 615 132 118	Handle BLUE	1
80	1 617 233 050	Speed governor	1
81	1 615 132 088	Handle Cover BLACK	1
95	1 610 210 173	O-Ring 32,0x1,5 MM	1
104	1 610 210 095	O-Ring 55,0x2,0 MM	1
111	1 610 290 064	Bushing	1
112	1 613 300 008	Hex Nut DIN 936-M8x1-8	1
113	1 613 435 009	Tapping Screw ST-4,8x57,5-TORX,T20	1
116	1 610 913 029	Needle-Roller Assembly	1
121	1 610 328 018	Bushing	1
126	2 603 490 022	Screw 4x16	1
131	1 611 110 C72	Warning Plate	1
134	2 910 110 116	Pan head screw DIN 85 AM 4x6-MS	1
135	1 614 431 031	Connecting Cable	1
138	1 611 015 050	Sealing Frame	1
139	1 600 A01 8Z1	Felt	1
141	1 610 290 066	Rotary shaft lip seal	1
142	1 610 290 061	Rotary shaft lip seal	1
143	1 614 601 021	Retaining ring DIN 7993-28x2	1
144	1 610 251 006	Supporting Disc	1
145	1 610 119 012	Spring retaining ring	1
146	1 610 113 012	Shim	1
150	1 614 601 041	Retaining ring	1
154	2 916 660 024	Spring retaining ring 55x2MM, DIN 472	1
156	1 610 224 009	Retaining ring	1
160	1 610 210 172	Damping Ring	1
161	1 610 290 093	Damping rubber	1
162	1 610 210 203	O-Ring 24,5x4,0 MM	1
163	1 610 290 065	Seal Ring	1
165	1 610 210 153	O-Ring 25,0x4,0 MM	1
167	1 610 290 062	Rotary shaft lip seal	1
168	1 610 210 144	O-Ring 22,0x3,0 MM	1
171	1 613 435 014	Torx Oval-Head Screw M5x16-TORX,T25 SILVER	1

Demolition Hammer | 11321EVS | 3 611 C21 012

Spare parts list				
Item	Part Number	Description		Illustration
172	1 613 435 013	Torx Oval-Head Screw	M6x30-TORX,T30 SILVER	1
175	2 912 401 018	Tapping Screw	DIN7981-ST3,9x13-C-Z	1
176	1 613 435 012	Torx Oval-Head Screw	M4,8x25-TORX,T25 SILVER	1
177	2 603 490 024	Torx Oval-Head Screw	4x25	1
195	1 613 490 015	Torx Oval-Head Screw		1
196	1 613 435 019	Screw and washer assembly		1
200	1 610 284 000	Bellows		1
803	1 614 011 128	Armature	120V	1
808	1 601 11A 3H5	Nameplate		1
811	1 617 014 144	Carbon-Brush Set		1
815	1 609 271 281	Socket head cap screw		1
817	1 614 652 004	Spiral Spring		1
818	2 910 011 082	Socket head cap screw	DIN 84-AM3,5x6-5.8	1
821	1 617 000 835	Bushing		1
825	1 617 000 706	Bearing Shaft		1
840	1 617 000 A08	Impact Mechanism Housing		1
841	1 617 000 899	Striker Pin		1
854	1 617 000 707	Guide Bushing		1
856	1 617 000 A00	Hammer Piston		1
891	1 617 000 A26	Spring Pack		1
897	1 617 000 708	Wear and Tear Part Set		1
84	1 602 025 08D	Auxiliary Handle		2
86	2 911 021 267	Hex Screw		2
87	1 611 316 022	Clamping Band		2
88	1 619 P16 922	Star Knob		2
89	1 600 A00 748	Clamping Piece		2
661	1 615 430 010	Grease Tube	30 ML	2
691	1 605 438 1CC	Carrying Case		2
883	1 615 132 109	Auxiliary Handle		2
884	1 602 025 097	Auxiliary Handle		2
885	1 610 190 053	Catch Disk		2
886	2 911 011 270	Hex Screw	DIN 931-M8x130-8.8	2
889	1 618 040 084	Clamping Piece		2
890	1 609 244 B42	Mounting Sleeve		2

Spare parts list

Item	Part Number	Description	Illustration
892	1 609 244 B43	Bow	2

Illustration - Type - E

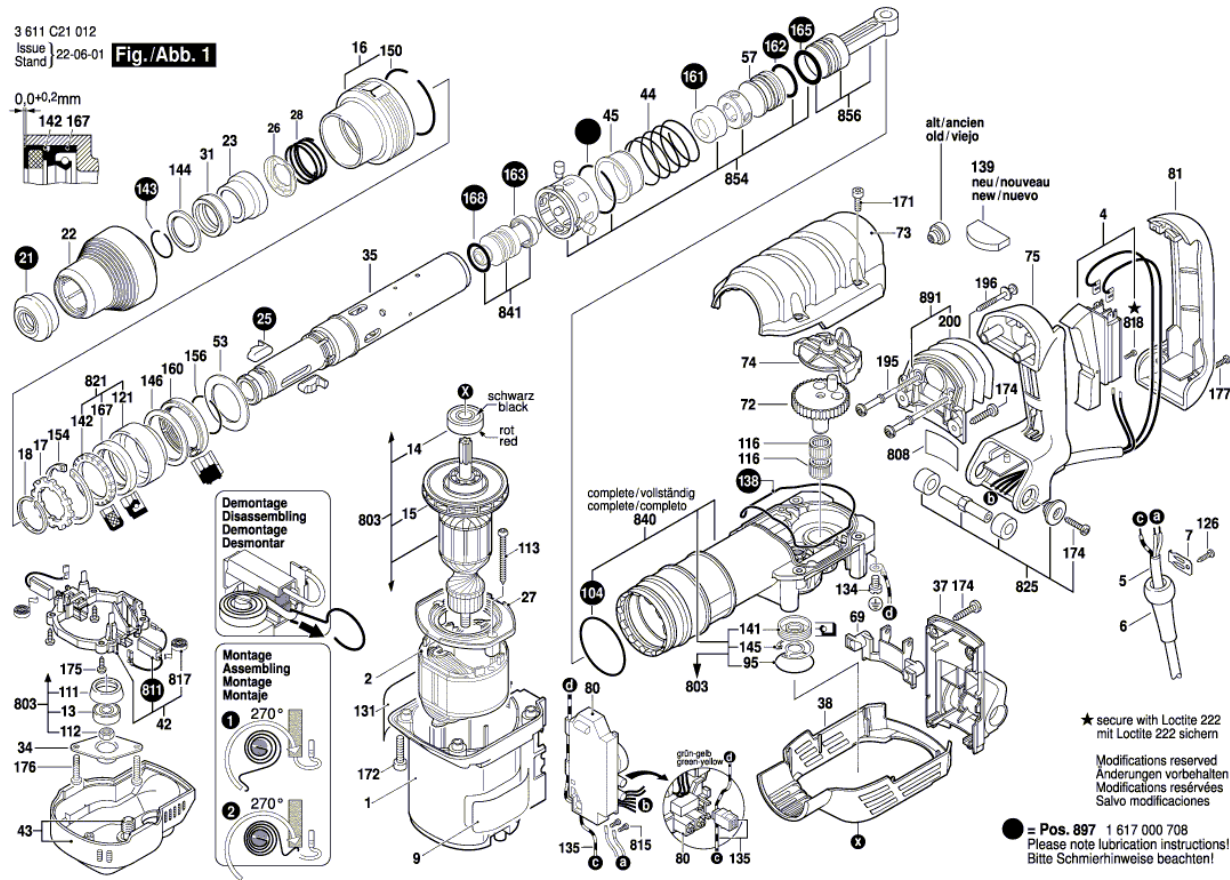
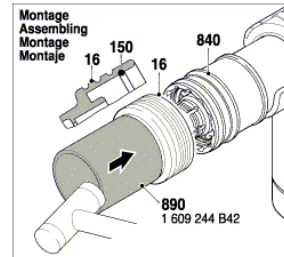
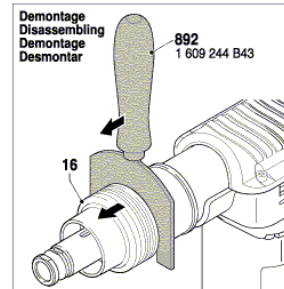
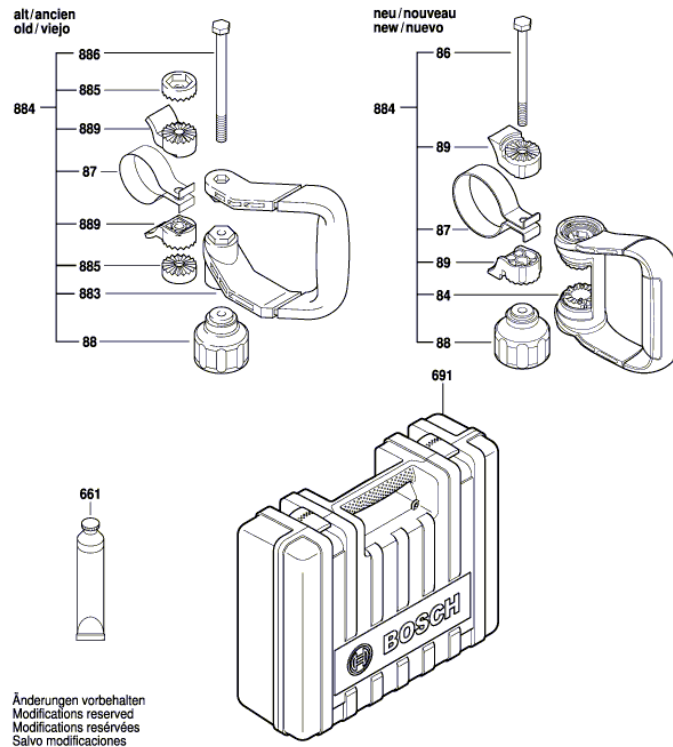


Illustration - Type - E

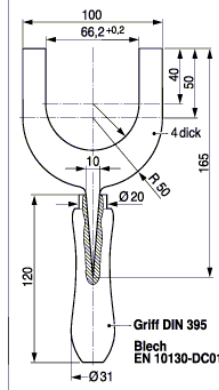
3 611 C21 012
Issue
Stand 20-08-18

Fig./Abb. 2

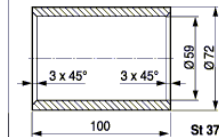


Hilfswerkzeuge zum Selbstanfertigen
Auxiliary tools
(for your own manufacture)
Outils auxiliaire (fabrication locale)
Utiles (fabricación particular)

Demontagebügel Pos. 892
Disassembly tool
Outill de demontage
Utill de desmontar



Montagehülse Pos. 890
Mounting sleeve
Douille de montage
Casquillo de montaje



Maße in mm
Dimensions in mm
Cotes en mm
Medidas en mm