

Demolition Hammer - 3 611 C21 010 - 11321 EVS

www.powertools-aftersaleservice.com

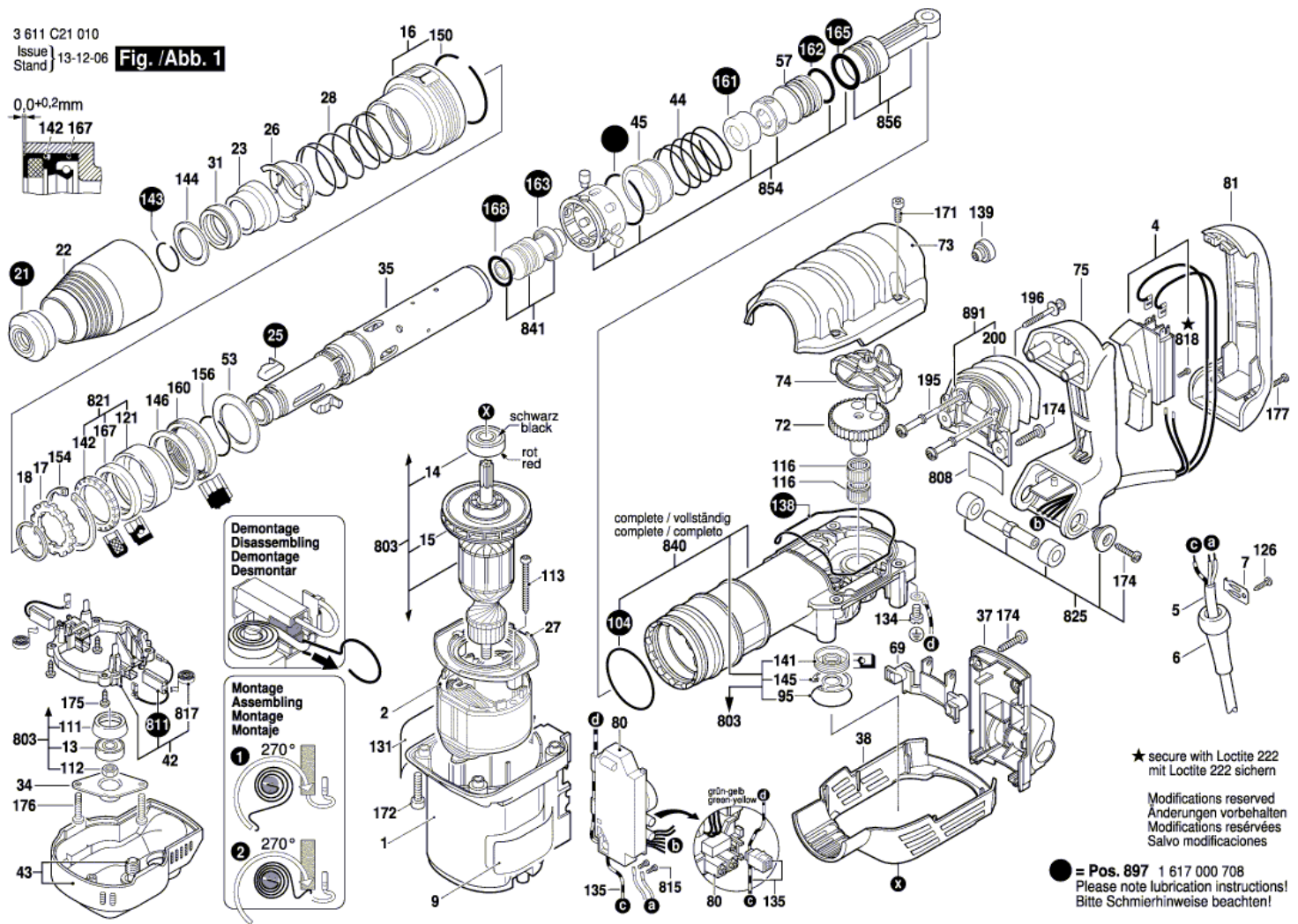


BOSCH

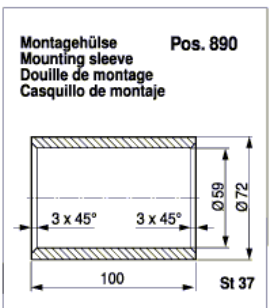
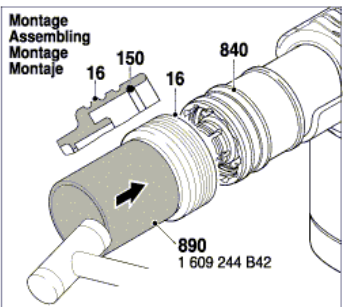
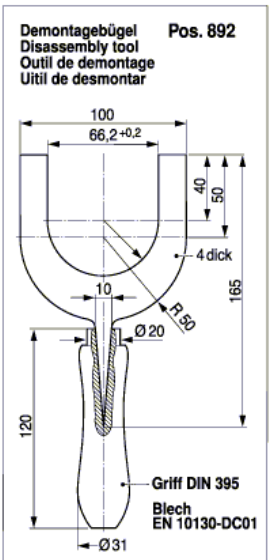
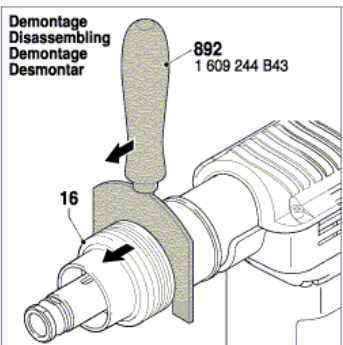
Item	Part Number	Description	Illustration	Price	Quantity	Price Group
1	1 615 102 161	Motor Housing BLUE	1	-,-	1	32
2	1 614 220 133	Field 100-115V	1	-,-	1	34
4	1 617 200 095	Switch	1	-,-	1	30
5	1 614 461 035	Power supply cord USA/CDN 3,1m 3 x 2,08mm SJ0W	1	-,-	1	35
6	1 600 703 035	Grommet Ø8,7-Ø9,6x66 MM	1	-,-	1	13
7	1 601 302 019	Fastening Clamp	1	-,-	1	11
9	1 611 110 D63	Manufacturer's nameplate	1	-,-	2	13
13	1 610 900 026	groove ball bearing 8x24x8	1	-,-	1	24
14	1 610 905 028	groove ball bearing 12x32x10	1	-,-	1	27
15	1 616 610 090	Fan	1	-,-	1	24
16	1 610 499 055	Ratchet Sleeve	1	-,-	1	20
17	1 610 241 000	Catch Disk	1	-,-	1	15
18	1 614 601 030	Retaining ring	1	-,-	1	13
21	1 610 508 038	Protective Cap	1	-,-	1	17
22	1 610 591 030	Protection Sleeve	1	-,-	1	17
23	1 610 520 001	Stop Sleeve	1	-,-	1	24
25	1 612 300 036	Stopping Device	1	-,-	2	24
26	1 610 290 076	Indexing Disk	1	-,-	1	19
27	1 610 591 028	Air-Deflector Ring	1	-,-	1	13
28	1 614 621 000	Compression Spring	1	-,-	1	14
31	1 610 290 049	Damping Ring	1	-,-	1	14
34	1 610 516 013	Flange	1	-,-	1	11
35	1 615 806 214	Hammer Pipe	1	-,-	1	46
37	1 615 500 390	Bearing Pedestal	1	-,-	1	21
38	1 615 190 158	Covering hood BLUE	1	-,-	1	20
42	1 614 336 085	Brush Holder	1	-,-	1	35
43	1 615 500 410	Fan Cover BLACK	1	-,-	1	25
44	1 614 621 007	Compression Spring	1	-,-	1	14
45	1 610 499 064	Control Bushing	1	-,-	1	27
53	1 610 102 054	Support Disc	1	-,-	1	15
57	1 618 710 089	Striker	1	-,-	1	30
69	1 610 099 005	Retaining Bracket	1	-,-	1	12
72	1 616 317 083	Eccentric Cog Wheel Z=43	1	-,-	1	43

Item	Part Number	Description	Illustration	Price	Quantity	Price Group
73	1 605 500 2D0	Housing Cover	1	-,-	1	35
74	1 600 A00 73C	Holding-Down-Appliance	1	-,-	1	15
75	1 615 132 118	Handle BLUE	1	-,-	1	38
80	1 617 233 050	Speed governor	1	-,-	1	43
81	1 615 132 088	Handle Cover BLACK	1	-,-	1	30
84	1 602 025 08D	Auxiliary Handle	2	-,-	1	28
86	2 911 021 267	Hex Screw	2	-,-	1	14
87	1 611 316 022	Clamping Band	2	-,-	1	21
88	1 613 349 017	Star Knob M8 BLACK	2	-,-	1	19
89	1 600 A00 748	Clamping Piece	2	-,-	1	13
95	1 610 210 173	O-Ring 32,0x1,5 MM	1	-,-	1	12
104	1 610 210 095	O-Ring 55,0x2,0 MM	1	-,-	1	11
111	1 610 290 064	Bushing	1	-,-	1	11
112	1 613 300 008	Hex Nut DIN 936-M8x1-8	1	-,-	1	11
113	1 613 435 009	Tapping Screw ST-4,8x57,5-TORX,T20	1	-,-	2	11
116	1 610 913 029	Needle-Roller Assembly	1	-,-	2	16
121	1 610 328 018	Bushing	1	-,-	1	26
126	2 603 490 022	Screw 4x16	1	-,-	1	10
131	1 611 110 C72	Warning Plate	1	-,-	1	16
134	2 910 110 116	Pan head screw DIN 85 AM 4x6-MS	1	-,-	1	10
135	1 614 431 031	Connecting Cable	1	-,-	1	18
138	1 611 015 050	Sealing Frame	1	-,-	1	19
139	1 610 508 050	Plug	1	-,-	1	12
141	1 610 290 066	Rotary shaft lip seal	1	-,-	1	23
142	1 610 290 061	Rotary shaft lip seal	1	-,-	1	16
143	1 614 601 021	Retaining ring DIN 7993-28x2	1	-,-	1	17
144	1 610 251 006	Supporting Disc	1	-,-	1	18
145	1 610 119 012	Spring retaining ring	1	-,-	1	12
146	1 610 113 012	Shim	1	-,-	1	12
150	1 614 601 041	Retaining ring	1	-,-	1	10
154	2 916 660 024	Spring retaining ring 55x2MM, DIN 472	1	-,-	1	17
156	1 610 224 009	Retaining ring	1	-,-	1	11
160	1 610 210 172	Damping Ring	1	-,-	1	19
161	1 610 290 093	Damping rubber	1	-,-	1	11
162	1 610 210 203	O-Ring 24,5x4,0 MM	1	-,-	1	17
163	1 610 290 065	Seal Ring	1	-,-	1	19
165	1 610 210 153	O-Ring 25,0x4,0 MM	1	-,-	1	16
167	1 610 290 062	Rotary shaft lip seal	1	-,-	1	14
168	1 610 210 144	O-Ring 22,0x3,0 MM	1	-,-	1	13
171	1 613 435 014	Torx Oval-Head Screw M5x16-TORX,T25 SILVER	1	-,-	4	11
172	1 613 435 013	Torx Oval-Head Screw M6x30-TORX,T30 SILVER	1	-,-	4	12
174	1 613 435 012	Torx Oval-Head Screw M4,8x25-TORX,T25 SILVER	1	-,-	6	12
175	2 912 401 018	Tapping Screw DIN7981-ST3,9x13-C-Z	1	-,-	4	10
176	1 613 435 012	Torx Oval-Head Screw M4,8x25-TORX,T25 SILVER	1	-,-	2	12
177	1 603 435 051	Tapping Screw ST3,9x32 SILVER	1	-,-	2	12
195	1 613 490 015	Torx Oval-Head Screw	1	-,-	2	13
196	1 613 435 019	Screw and washer assembly	1	-,-	1	11
200	1 610 284 000	Bellows	1	-,-	1	22
661	1 615 430 010	Grease Tube 30 ML	2	-,-	1	18
691	1 605 438 1CC	Carrying Case	2	-,-	1	37
803	1 614 011 128	Armature 120V	1	-,-	1	48

Item	Part Number	Description	Illustration	Price	Quantity	Price Group
808	1 601 11A 3H5	Nameplate	1	-,-	1	13
811	1 617 014 144	Carbon-Brush Set	1	-,-	1	29
815	1 609 271 281	Socket head cap screw	1	-,-	2	10
817	1 614 652 004	Spiral Spring	1	-,-	2	20
818	2 910 011 082	Socket head cap screw DIN 84-AM3,5x6-5.8	1	-,-	2	10
821	1 617 000 835	Bushing	1	-,-	1	30
825	1 617 000 706	Bearing Shaft	1	-,-	1	24
840	1 617 000 A08	Impact Mechanism Housing	1	-,-	1	47
841	1 617 000 899	Striker Pin	1	-,-	1	36
854	1 617 000 707	Guide Bushing	1	-,-	1	31
856	1 617 000 A00	Hammer Piston	1	-,-	1	29
883	1 615 132 109	Auxiliary Handle	2	-,-	1	31
884	1 602 025 097	Auxiliary Handle	2	-,-	1	36
885	1 610 190 053	Catch Disk	2	-,-	1	11
886	2 911 011 270	Hex Screw DIN 931-M8x130-8.8	2	-,-	1	16
889	1 618 040 084	Clamping Piece	2	-,-	1	13
890	1 609 244 B42	Mounting Sleeve	2	-,-	1	49
891	1 617 000 A26	Spring Pack	1	-,-	1	31
892	1 609 244 B43	Bow	2	-,-	1	49
897	1 617 000 708	Wear and Tear Part Set	1	-,-	1	37



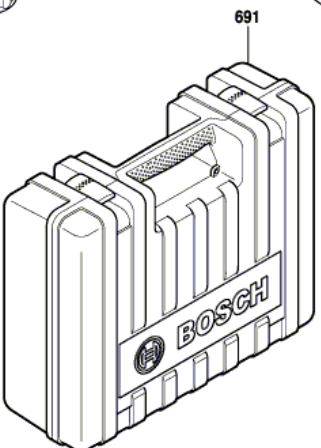
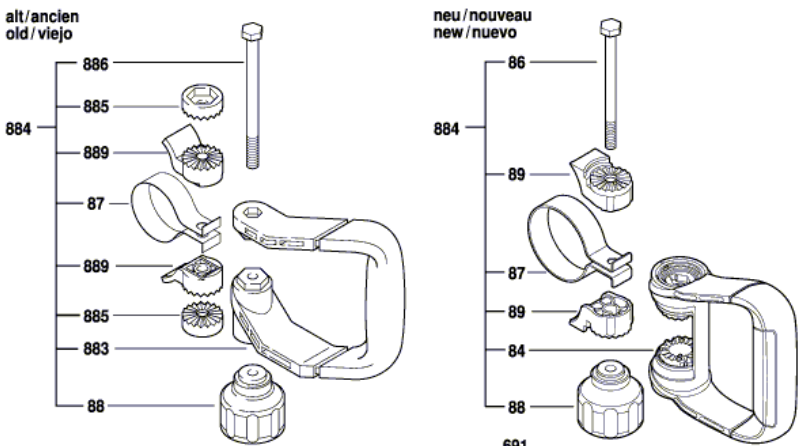
Hilfswerkzeuge zum Selbstanfertigen
 Auxiliary tools
 (for your own manufacture)
 Outils auxiliaire (fabrication locale)
 Utiles (fabricación particular)



Maße in mm
 Dimensions in mm
 Cotes en mm
 Medidas en mm

3 611 C21 010
 Issue | 17-03-29
 Stand |

Fig./Abb. 2



Änderungen vorbehalten
 Modifications reserved
 Modifications réservées
 Salvo modificaciones

Information subject to change without further notice.