



BOSCH

Demolition Hammer

11 316 | 0 611 316 739

Table of Content

Spare parts list.....	2
Illustration - Type.....	6

Spare parts list

Item	Part Number	Description	Illustration
1	1 615 108 091	Motor Housing BLUE	1
2	1 604 220 52K	Field 110-120V	1
4	1 617 200 048	Switch	1
4/10	2 910 011 088	Socket head cap screw DIN 84-AM3,5x12-5,8	1
5	1 614 460 057	Power supply cord USA/CDN 4,15m 2 x 2,08mm SJ 14/2	1
6	1 610 703 053	Grommet Ø9,7-Ø12x89 MM	1
7	1 601 302 019	Fastening Clamp	1
9	1 611 110 892	Manufacturer's nameplate	1
13	2 610 909 310	groove ball bearing	1
14	1 610 910 096	Needle-Roller Bearing	1
15	1 616 610 083	Fan	1
16	1 610 499 022	Ratchet Sleeve	1
17	1 610 590 004	Retaining snap ring	1
18	1 610 119 010	Spring retaining ring	1
19	1 619 P13 963	Clamping-Flange	1
20	1 618 597 067	Toolholder	1
21	1 610 508 025	Protective Cap	1
22	1 610 499 023	Protection Sleeve	1
23	1 610 521 011	Stop Sleeve	1
25	1 612 300 025	Stopping Device	1
26	1 610 290 027	Indexing Disk	1
27	2 910 151 246	Hex Socket Head Cap Screw DIN 912-M8x30-10.9	1
28	1 614 621 002	Compression Spring	1
29	1 614 621 003	Compression Spring	1
30	1 610 210 147	O-Ring 79,5x2,65 MM	1
31	1 610 290 026	Damping Ring	1
34	1 610 390 029	Spacer Tube	1
35	1 615 806 108	Hammer Pipe	1
36	1 610 210 127	O-Ring 64,0x2,5 MM	1
37	1 610 210 128	O-Ring 35,0x3,0 MM	1
38	1 615 190 093	Covering hood	1
39	1 600 A01 MK9	Rotary shaft lip seal	1
41	1 618 710 071	Striker Pin	1

Spare parts list

Item	Part Number	Description	Illustration
43	1 615 808 083	Bearing cover BLUE	1
54	1 610 190 019	Control Disc	1
55	1 610 420 005	Control Bushing	1
56	1 618 700 064	Hammer Piston	1
57	1 618 710 062	Striker	1
70	1 612 001 033	Connecting Rod	1
71	1 613 101 006	Straight Pin	1
72	1 600 A02 7H7	Eccentric Cog Wheel	1
75	1 615 132 082	Handle BLACK	1
76	1 612 026 049	Control Lever	1
77	1 612 026 048	Shift Plate GRAY	1
80	1 607 233 5CW	Speed governor 115V	1
82	1 615 510 000	Light Conductor	1
103	1 610 210 122	O-Ring 30,0x5,0 MM	1
104	1 610 210 123	O-Ring 22,0x11,0 MM	1
111	3 610 501 500	Bushing	1
112	3 613 461 500	Threaded Ring	1
113	1 610 009 007	Spacer	1
114	1 610 210 139	O-Ring 30,0x2,5 MM	1
115	1 610 508 027	Protective Cap BLACK	1
123	1 610 913 013	Needle-Roller Assembly	1
124/1	1 610 101 608	Thrust Bearing Disc	1
126	2 603 490 022	Screw 4x16	1
127	2 914 551 117	Microencapsulated Screw 5x12-8.8	DIN 912-M 1
129	1 613 433 001	Screw and washer assembly 6,3x32	1
131	1 611 110 C36	Warning Plate	1
136	1 613 490 029	Torx Oval-Head Screw M6x30	1
138	1 610 210 130	O-Ring 32,0x2,5 MM	1
139	1 610 108 020	Felt Washer	1
140	1 613 435 010	Torx Oval-Head Screw 5,5x25	1
141	1 610 290 028	Rotary shaft lip seal	1
142	1 610 300 063	Bushing	1
143	2 916 540 017	Retaining ring DIN 7993 A 30	1
144	1 610 102 029	Supporting Disc	1

Spare parts list

Item	Part Number	Description	Illustration
802	1 607 000 C3W	Subassembly	1
803	1 614 011 074	Armature 110-120V	1
808	1 601 11A 3H3	Nameplate	1
823	1 617 000 403	Needle-Roller Assembly	1
824	1 617 000 240	Ball DIN 5401-6,5MM-III-ST	1
840	1 617 000 969	Impact Mechanism Housing	1
842	1 600 A00 5AF	Brush Holder	1
842/020	1 614 336 017	Brush Guide	1
842/030	1 614 652 004	Spiral Spring	1
842/050	1 617 014 126	Carbon-Brush Set	1
842/080	2 910 611 012	Tapping Screw DIN 7981-ST3,5x16-C-H	1
845	1 617 000 418	Housing Cover	1
895	3 613 344 500	Oil Return Ring	1
897	1 617 000 189	Wear and Tear Part Set	1
898	1 617 000 190	Wear and Tear Part Set	1
84	1 602 025 08D	Auxiliary Handle	2
86	2 911 021 267	Hex Screw	2
87	1 611 316 010	Clamping Band	2
88	1 619 P16 922	Star Knob	2
89	1 600 A00 748	Clamping Piece	2
661	1 615 430 010	Grease Tube 30 ML	2
751	1 618 600 011	Pointed Chisel Ø18x400 MM	2
751/1	1 618 600 023	Pointed Chisel Ø18x280 MM	2
751/2	1 618 600 012	Pointed Chisel Ø18x600 MM	2
752	1 618 600 202	Cold Chisel 25x400 MM	2
752/1	1 618 600 203	Cold Chisel 25x600 MM	2
753	1 618 601 006	Spade-Shaped Chisel 50x400 MM	2
753/1	1 618 601 008	Wide chisel 80x300 MM	2
753/2	1 618 601 007	Wide chisel 115x350 MM	2
754	1 618 601 302	Toothed Chisel 32x7x300 MM	2
755	1 618 601 303	Mortar raking chisel 28x8x300 MM	2
756	1 618 601 101	Gouge 26x300 MM	2
757	1 618 601 102	Gouge 32x300 MM	2
758	1 618 601 018	Tile Chisel 50x300 MM	2
758/1	1 618 601 019	Wide chisel 80x300 MM	2

Spare parts list

Item	Part Number	Description	Illustration
760	1 618 609 003	Chisel Holder 65x220 MM	2
761	1 618 623 205	Bush Hammer 60x60 MM, Z= 5x5	2
761/1	1 618 623 206	Bush Hammer 60x60 MM, Z= 7x7	2
762	1 618 633 101	Tamping Tool 120x130 MM	2
762/1	1 618 633 102	Tamping Tool 150x150 MM	2
884	1 602 025 08E	Auxiliary Handle	2
886	2 911 011 270	Hex Screw DIN 931-M8x130-8.8	2
887	1 617 000 188	Clamping Band Ø50 MM	2
889	1 618 040 053	Clamping Piece	2
890	1 610 190 053	Catch Disk	2

Illustration - Type - E

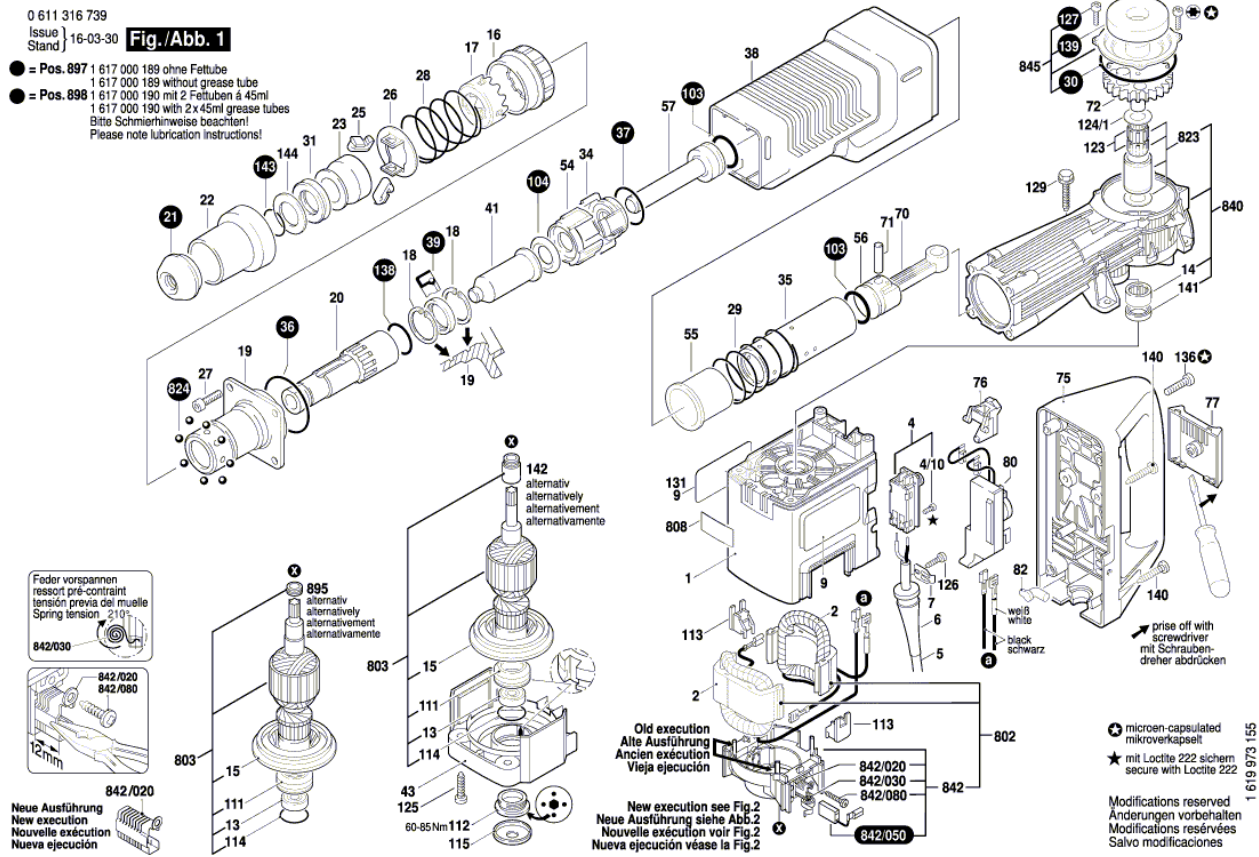
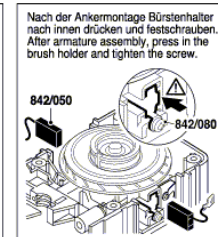
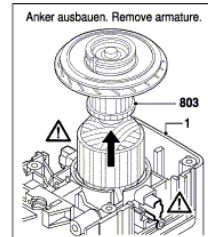
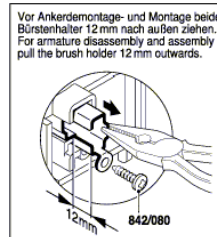
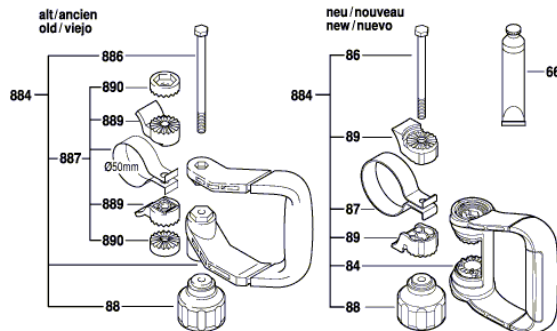
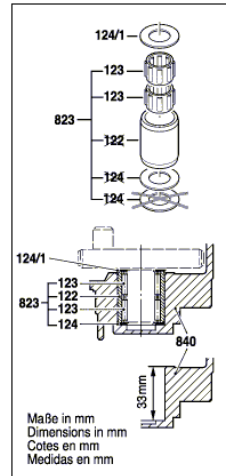
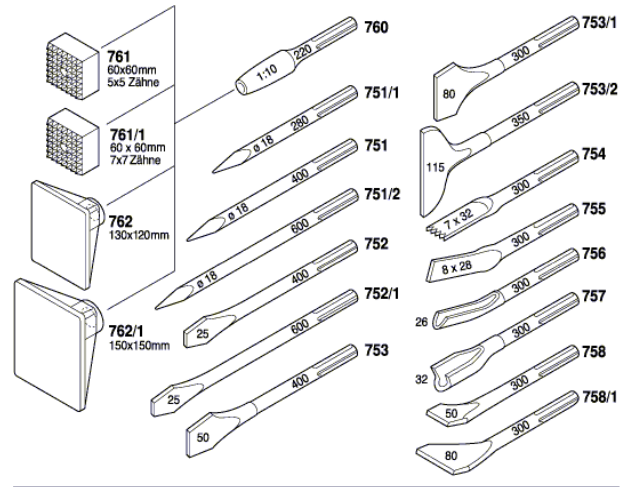
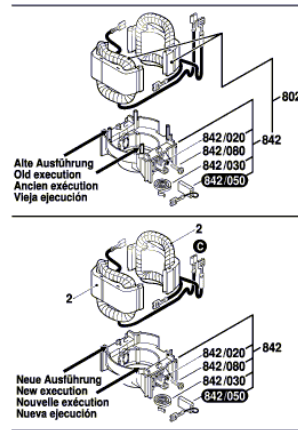


Illustration - Type - E

0 611 316 739
Issue
Stand | 16-03-07 **Fig./Abb. 2**



Änderungen vorbehalten
Modifications reserved
Modifications réservées
Salvo modificaciones