

## Rotary Hammer - 3 611 B64 110 - 11265EVS

www.powertools-aftersaleservice.com



**BOSCH**

Item	Part Number	Description	Illustration	Price	Quantity	Price Group
1	1 615 102 161	Motor Housing BLUE	1	-,-	1	32
2	1 614 220 200	Field 115V	1	-,-	1	34
4	1 617 200 120	Switch	1	-,-	1	30
5	1 614 461 035	Power supply cord USA/CDN 3,1m 3 x 2,08mm SJ0W	1	-,-	1	35
6	1 600 703 035	Grommet Ø8,7-Ø9,6x66 MM	1	-,-	1	13
7	1 601 302 019	Fastening Clamp	1	-,-	1	11
9	1 611 110 D74	Manufacturer's nameplate	1	-,-	1	13
13	1 610 900 026	groove ball bearing 8x24x8	1	-,-	1	24
14	1 610 905 028	groove ball bearing 12x32x10	1	-,-	1	27
15	1 616 610 090	Fan	1	-,-	1	24
21	1 610 508 044	Protective Cap BLACK	1	-,-	1	17
22	1 610 591 033	Protection Sleeve BLACK	1	-,-	1	22
24	1 610 500 020	Locking Disc	1	-,-	1	19
25	1 613 100 029	Locking Bolt	1	-,-	2	15
27	1 610 591 028	Air-Deflector Ring	1	-,-	1	13
28	1 614 621 000	Compression Spring	1	-,-	1	14
34	1 610 516 013	Flange	1	-,-	1	11
35	1 615 806 231	Hammer Pipe	1	-,-	1	49
37	1 615 500 393	Bearing Pedestal	1	-,-	1	21
38	1 615 190 159	Covering hood BLUE	1	-,-	1	27
42	1 614 336 085	Brush Holder	1	-,-	1	35
43	1 615 500 410	Fan Cover BLACK	1	-,-	1	25
44	1 614 617 004	Compression Spring	1	-,-	1	14
45	1 610 499 070	Control Bushing	1	-,-	1	28
47	1 610 300 064	Gear Sleeve	1	-,-	1	20
48	1 616 334 012	Clutch Sleeve	1	-,-	1	17
51	1 616 333 041	Crown Gear	1	-,-	1	36
53	1 610 290 068	Support Disc	1	-,-	1	14
57	1 618 710 091	Striker	1	-,-	1	32
72	1 600 A00 ZZ3	Eccentric Cog Wheel	1	-,-	1	44
74	1 611 921 001	Guide Plate	1	-,-	1	13
75	1 615 132 118	Handle BLUE	1	-,-	1	38

Item	Part Number	Description	Illustration	Price	Quantity	Price Group
79	1 613 435 015	Torx Oval-Head Screw M5x12-TORX,T25 SILVER		1	-,-	2 11
80	1 617 233 048	Speed governor		1	-,-	1 43
81	1 615 132 088	Handle Cover BLACK		1	-,-	1 30
84	1 602 025 07H	Auxiliary Handle		2	-,-	1 23
85	1 618 040 074	Support clamp		2	-,-	1 17
86	1 613 490 002	T-Head Bolt M8x40 MM		2	-,-	1 14
87	1 611 316 019	Clamping Band Ø62 MM		2	-,-	1 16
94	1 610 102 056	Friction Washer		1	-,-	1 14
95	1 610 210 173	O-Ring 32,0x1,5 MM		1	-,-	1 12
97	1 610 031 005	Locking Washer		1	-,-	1 15
99	1 610 102 059	Support Disc		1	-,-	1 13
102	1 610 102 057	Shim 0,3 MM		1	-,-	1 11
102	1 610 102 058	Shim 0,2 MM		1	-,-	1 11
104	1 610 210 160	O-Ring 52,0x2,0 MM		1	-,-	1 13
106	1 610 499 073	Retaining snap ring		1	-,-	1 19
111	1 610 290 064	Bushing		1	-,-	1 11
112	1 613 300 008	Hex Nut DIN 936-M8x1-8		1	-,-	1 11
113	1 613 435 009	Tapping Screw ST-4,8x57,5-TORX,T20		1	-,-	2 11
117	1 610 913 029	Needle-Roller Assembly		1	-,-	4 16
120	1 610 590 019	Stop Sleeve		1	-,-	1 28
126	2 603 490 022	Screw 4x16		1	-,-	1 10
131	1 611 110 C71	Manufacturer's nameplate		1	-,-	1 15
134	2 910 110 116	Pan head screw DIN 85 AM 4x6-MS		1	-,-	1 10
135	1 614 431 031	Connecting Cable		1	-,-	1 18
137	1 610 151 007	Spring Lock Washer		1	-,-	1 10
138	1 611 015 053	Sealing Frame		1	-,-	1 20
141	1 610 290 066	Rotary shaft lip seal		1	-,-	1 23
142	1 610 290 069	Rotary shaft lip seal		1	-,-	1 16
143	2 916 540 017	Retaining ring DIN 7993 A 30		1	-,-	1 11
145	1 610 119 012	Spring retaining ring		1	-,-	1 12
153	2 916 540 020	Retaining ring 38x2,5 A38 DIN7993		1	-,-	1 13
154	2 916 660 023	Spring retaining ring DIN 472 52x2MM		1	-,-	1 17
160	1 610 290 095	Damping Ring		1	-,-	1 23
161	1 610 290 094	Damping Ring		1	-,-	1 14
162	1 610 210 204	O-Ring 22,5x3,5 MM		1	-,-	1 15
163	1 610 290 065	Seal Ring		1	-,-	1 19
165	1 610 210 079	O-Ring 22,0x4,0 MM		1	-,-	1 16
166	1 613 200 015	Cylindrical Roller		1	-,-	6 13
167	1 610 283 033	Rotary shaft lip seal		1	-,-	1 19
168	1 610 210 144	O-Ring 22,0x3,0 MM		1	-,-	1 13
171	1 613 435 016	Torx Oval-Head Screw M5x20-TORX,T25 SILVER		1	-,-	6 11
172	1 613 435 013	Torx Oval-Head Screw M6x30-TORX,T30 SILVER		1	-,-	4 12
174	1 613 435 012	Torx Oval-Head Screw M4,8x25-TORX,T25 SILVER		1	-,-	6 12
175	2 912 401 018	Tapping Screw DIN7981-ST3,9x13-C-Z		1	-,-	4 10
176	1 613 435 012	Torx Oval-Head Screw M4,8x25-TORX,T25 SILVER		1	-,-	2 12
177	1 603 435 051	Tapping Screw ST3,9x32 SILVER		1	-,-	2 12
192	1 614 611 019	Compression Spring		1	-,-	1 13
195	1 613 490 015	Torx Oval-Head Screw		1	-,-	2 13
196	1 613 435 019	Screw and washer assembly		1	-,-	1 11
198	1 618 900 001	Control Lever		1	-,-	1 18
200	1 610 284 000	Bellows		1	-,-	1 22

Item	Part Number	Description	Illustration	Price	Quantity	Price Group
202	1 611 010 006	Switch Hook	1	-,-	1	17
661	1 615 430 010	Grease Tube 30 ML	2	-,-	1	18
691	1 615 438 461	Carrying Case	2	-,-	1	37
803	1 614 011 128	Armature 120V	1	-,-	1	48
808	1 601 11A 3H5	Nameplate	1	-,-	1	13
811	1 617 014 144	Carbon-Brush Set	1	-,-	1	29
816	1 609 271 281	Socket head cap screw	1	-,-	2	10
817	1 614 652 004	Spiral Spring	1	-,-	1	20
818	2 910 011 082	Socket head cap screw DIN 84-AM3,5x6-5.8	1	-,-	2	10
820	1 617 000 A14	Toolholder	1	-,-	1	49
821	1 617 000 A02	Bushing	1	-,-	1	31
825	1 617 000 706	Bearing Shaft	1	-,-	1	24
840	1 617 000 A06	Impact Mechanism Housing	1	-,-	1	48
841	1 617 000 899	Striker Pin	1	-,-	1	36
849	1 617 000 839	Control Fork	1	-,-	1	30
854	1 617 000 718	Guide Bushing	1	-,-	1	33
856	1 617 000 A04	Hammer Piston	1	-,-	1	31
860	1 617 000 A37	Spur Wheel Clutch	1	-,-	1	47
873	1 617 000 A05	Housing Cover	1	-,-	1	41
884	1 612 025 055	Auxiliary Handle Ø62 MM BLACK	2	-,-	1	36
886	1 617 000 459	Auxiliary Handle M8 BLACK	2	-,-	1	25
891	1 617 000 A26	Spring Pack	1	-,-	1	31
897	1 617 000 A09	Wear and Tear Part Set	1	-,-	1	35

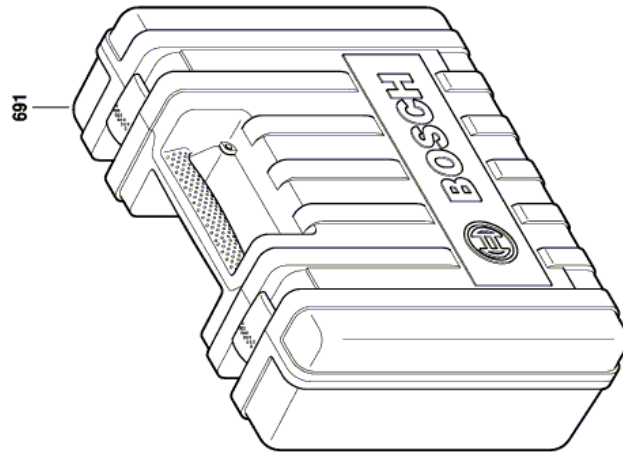
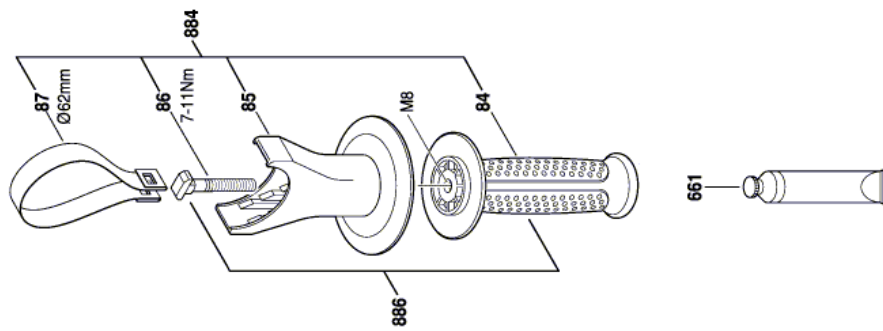


Illustration - Type E

Änderungen vorbehalten  
Modifications reserved  
Modifications réservées  
Salvo modificaciones

3 611 B64 110  
Issue } 17-03-29  
Stand }

**Fig./Abb. 2**



Information subject to change without further notice.