

## Rotary Hammer - 0 611 263 739 - 11263 EVS

www.powertools-aftersaleservice.com



**BOSCH**

Item	Part Number	Description	Illustration	Price	Quantity	Price Group
1	1 615 108 131	Motor Housing BLUE	1	-,-	1	32
2	1 614 220 141	Field 110-120V	1	-,-	1	34
4	1 617 200 048	Switch	1	-,-	1	28
5	1 614 461 036	Power supply cord	1	-,-	1	33
6	1 610 703 053	Grommet Ø9,7-Ø12x89 MM	1	-,-	1	13
7	1 601 302 019	Fastening Clamp	1	-,-	1	11
9	1 611 110 D18	Sticker	1	-,-	1	15
13	1 610 900 026	groove ball bearing 8x24x8	1	-,-	1	24
14	1 610 910 089	Needle-Roller Bearing	1	-,-	1	30
20	1 618 597 072	Toolholder	1	-,-	1	47
21	1 610 508 035	Protective Cap	1	-,-	1	16
22	1 610 591 021	Protection Sleeve	1	-,-	1	18
23	1 610 520 001	Stop Sleeve	1	-,-	1	24
24	1 610 500 021	Headed Bush	1	-,-	1	22
25	1 612 300 027	Stopping Device	1	-,-	2	23
26	1 610 290 025	Indexing Disk	1	-,-	1	19
27	1 610 591 023	Air-Deflector Ring	1	-,-	1	11
28	1 614 621 004	Compression Spring	1	-,-	1	13
31	1 610 290 049	Damping Ring	1	-,-	1	14
35	1 615 806 156	Hammer Pipe	1	-,-	1	46
37	1 610 102 047	Support Disc	1	-,-	1	14
38	1 615 190 142	Covering hood	1	-,-	1	33
41	1 613 124 080	Striker Pin	1	-,-	1	31
42	1 614 336 026	Brush Holder	1	-,-	1	34
43	1 615 500 305	Fan Cover	1	-,-	1	23
44	1 614 621 005	Compression Spring	1	-,-	1	13
45	1 610 591 039	Sealing plate	1	-,-	1	14
47	1 619 990 149	Spacer Ring	1	-,-	1	34
48	1 619 990 151	Clutch Sleeve	1	-,-	1	32
51	1 616 333 035	Crown Gear Z=45	1	-,-	1	40
52	1 614 601 056	Retaining ring	1	-,-	1	10
53	1 610 231 000	Guide Bushing	1	-,-	1	23
54	1 610 190 033	Spacer Tube	1	-,-	1	19

Item	Part Number	Description	Illustration	Price	Quantity	Price Group
57	1 618 710 083	Striker		1,-	1	33
58	1 616 317 056	Cylindrical Gear Z=17		1,-	1	23
59	1 615 805 067	Bearing Pedestal		1,-	1	22
69	1 610 099 006	Retaining Bracket		1,-	1	18
72	1 616 317 067	Eccentric Cog Wheel		1,-	1	42
75	1 615 132 102	Handle BLACK		1,-	1	38
76	1 612 026 100	Shift-Lever Knob BLACK		1,-	1	23
77	1 614 610 010	Compression Spring		1,-	1	11
78	1 610 590 015	Pickup Clip		1,-	1	12
80	1 617 233 043	Speed governor 100-120V		1,-	1	41
84	1 602 025 07H	Auxiliary Handle		2,-	1	23
85	1 618 040 071	Support clamp		2,-	1	18
87	1 617 000 834	Clamping Band Ø77 MM, M8		2,-	1	27
94	1 610 290 052	Support Disc		1,-	1	13
95	1 613 120 018	Driving Pin		1,-	4	13
98	1 610 101 015	Shim ring 1,0 MM THICK		1,-	1	11
101	1 610 102 049	Shim 0,45 MM THICK		1,-	1	13
102	1 610 102 048	Shim 0,3 MM THICK		1,-	1	13
104	1 610 190 027	Stop Disc		1,-	1	18
111	1 610 290 046	Bushing		1,-	1	11
112	1 613 300 007	Hex Nut		1,-	1	11
113	1 613 412 001	Tapping Screw B 4,8x68 MM		1,-	2	11
116	1 610 913 004	Needle-Roller Assembly Ø13 MM		1,-	2	16
117	1 610 913 011	Needle-Roller Assembly Ø10 MM		1,-	1	19
119	1 610 910 081	Needle-Roller Bearing		1,-	1	26
121	1 610 328 016	Bushing		1,-	1	15
125	1 613 435 011	Torx Oval-Head Screw 4,8x19		1,-	2	11
126	2 910 211 019	Tapping Screw DIN 7971-ST3,9x16-F		1,-	1	10
127	1 610 300 060	Bushing		1,-	1	19
129	1 610 300 067	Bushing		1,-	1	24
131	2 610 995 453	Reference Plate		1,-	1	15
138	1 611 015 047	Sealing Frame		1,-	1	18
139	1 610 508 050	Plug		1,-	1	12
141	1 610 290 028	Rotary shaft lip seal		1,-	1	14
142	1 610 290 050	Rotary shaft lip seal		1,-	1	16
143	1 614 601 021	Retaining ring DIN 7993-28x2		1,-	1	17
144	1 610 103 021	Supporting Disc		1,-	1	14
151	1 610 210 148	O-Ring 60,0x2,0 MM		1,-	1	13
152	1 614 601 029	Retaining ring		1,-	1	11
153	1 614 601 028	Retaining ring		1,-	1	11
154	1 610 119 011	Spring retaining ring		1,-	1	14
156	2 916 650 003	Spring retaining ring DIN 471-12x1-FSt		1,-	1	11
157	1 610 210 142	O-Ring 31,0x1,5 MM		1,-	1	12
158	1 610 210 139	O-Ring 30,0x2,5 MM		1,-	1	12
159	1 610 210 141	O-Ring 27,0x2,5 MM		1,-	1	11
160	1 610 210 140	O-Ring 46,0x7,0 MM		1,-	1	12
161	1 610 210 145	O-Ring 18,0x8,0 MM		1,-	1	20
162	1 610 210 109	O-Ring 26,0x4,0 MM		1,-	2	16
163	1 610 210 144	O-Ring 22,0x3,0 MM		1,-	2	13
164	1 903 230 013	Ball DIN 5401-Ø7MM-III-ST		1,-	2	11
167	1 610 290 051	Rotary shaft lip seal		1,-	1	16
168	1 610 210 149	O-Ring 46,0x5,0 MM		1,-	1	11
170	2 914 551 164	Microencapsulated Screw		1,-	4	10

Item	Part Number	Description	Illustration	Price	Quantity	Price Group
171	1 613 414 021	Microencapsulated Screw	1	-,-	4	10
172	1 613 435 028	Screw and washer assembly	1	-,-	2	12
173	1 613 433 001	Screw and washer assembly 6,3x32	1	-,-	2	10
174	1 613 435 010	Torx Oval-Head Screw 5,5x25	1	-,-	6	11
175	2 912 401 018	Tapping Screw DIN7981-ST3,9x13-C-Z	1	-,-	1	10
176	1 613 435 029	Thread-forming tap. Screw	1	-,-	1	10
661	1 615 430 010	Grease Tube 30 ML	2	-,-	1	18
691	1 615 438 51A	Carrying Case	2	-,-	1	37
803	1 614 010 218	Armature 110-120V	1	-,-	1	51
808	1 601 11A 3H3	Nameplate	1	-,-	1	13
810	1 617 014 135	Carbon-Brush Set	1	-,-	1	28
818	2 910 011 088	Socket head cap screw DIN 84-AM3,5x12-5.8	1	-,-	2	10
821	1 617 000 824	Bushing	1	-,-	1	31
840	1 617 000 894	Impact Mechanism Housing	1	-,-	1	52
849	1 617 000 826	Control Fork	1	-,-	1	38
856	1 617 000 873	Hammer Piston	1	-,-	1	34
860	1 617 000 828	Spur Wheel Clutch Z=13/47	1	-,-	1	49
866	1 617 000 406	Roller Set	1	-,-	1	15
867	3 607 031 560	Grounding plate	1	-,-	1	32
872	1 617 000 874	Eccentric Cog Wheel	1	-,-	1	46
873	1 617 000 875	Housing Cover	1	-,-	1	39
884	1 612 025 051	Auxiliary Handle Ø77 MM, M8	2	-,-	1	36
896	1 617 000 463	Service box	1	-,-	1	37
897	1 617 000 464	Wear and Tear Part Set	1	-,-	1	41
898	1 617 000 465	Wear and Tear Part Set	1	-,-	1	44

Illustration - Type E

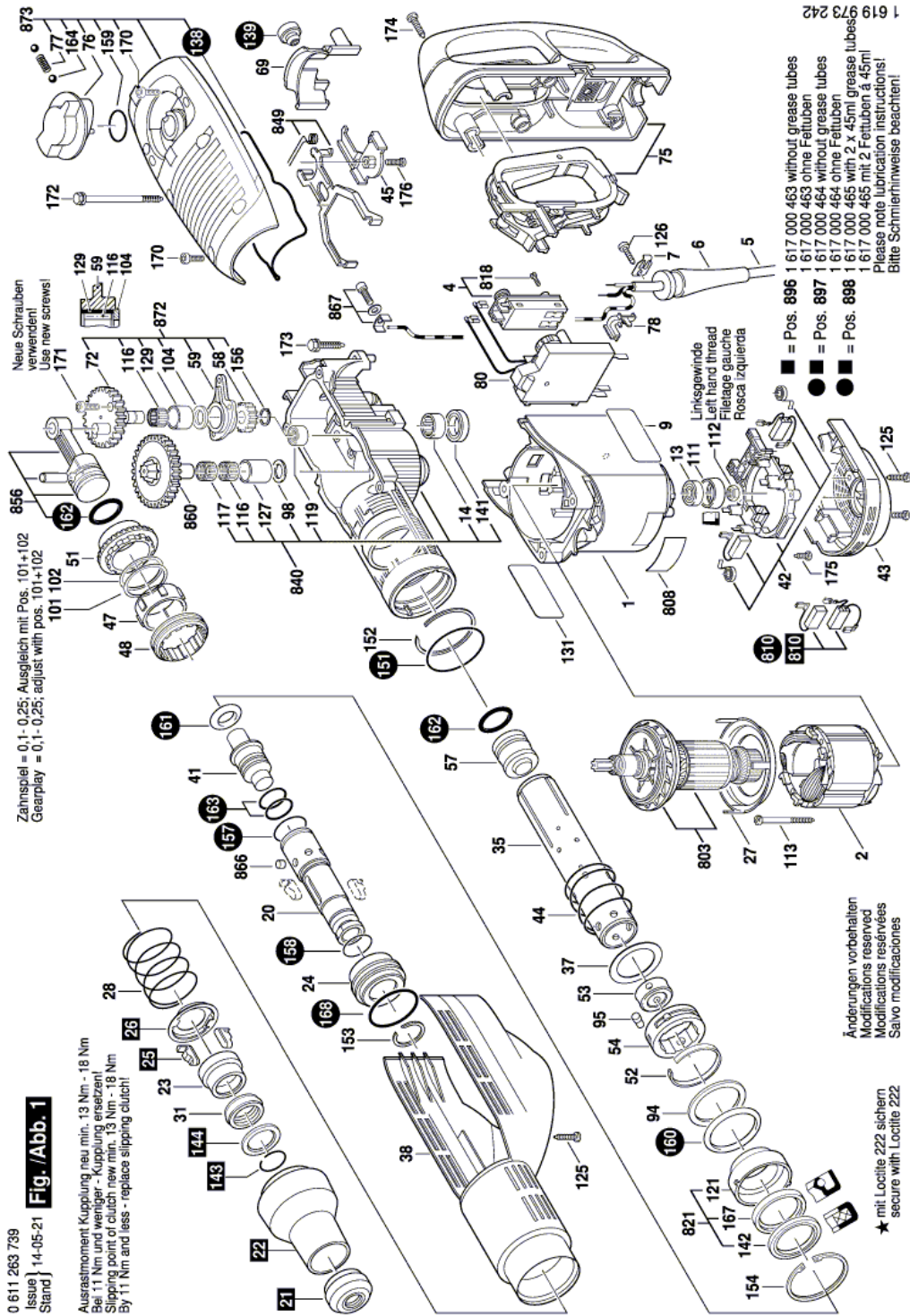
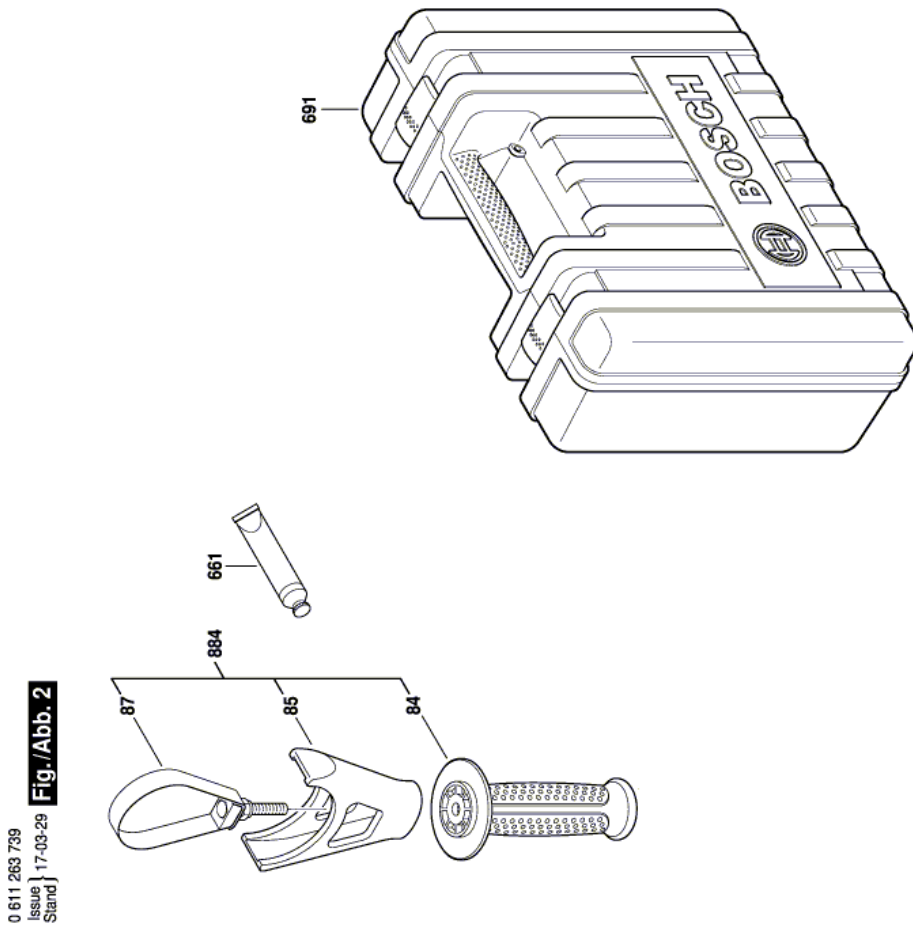


Illustration - Type E

Anderungen vorbehalten  
Modifications reserved  
Modificacions reservées  
Salvo modificaciones



Information subject to change without further notice.