

Rotary Hammer - 3 611 B58 310 - 11258VSR

www.powertools-aftersaleservice.com



BOSCH

Item	Part Number	Description	Illustration	Price	Quantity	Price Group
2	1 614 220 184	Field 115V	1	-,-	1	30
4	1 617 200 517	Switch	1	-,-	1	31
5	1 604 460 325	Power supply cord USA/CDN/SMA 2,68m 2 x 0,82mm SJ 18/2	1	-,-	1	28
6	2 600 703 018	Grommet Ø7,3-Ø8,6x76 MM	1	-,-	1	13
7	1 611 035 007	Cable Clip	1	-,-	1	10
9	1 619 P00 867	Manufacturer's nameplate 11258VSR	1	-,-	1	13
10	1 619 P00 868	Manufacturer's nameplate 11258VSR	1	-,-	1	13
14	1 615 806 187	Bearing Bracket	1	-,-	1	12
15	2 603 100 056	Damping rubber	1	-,-	2	11
17	1 611 015 055	Sealing Frame	1	-,-	1	20
19	1 610 210 184	O-Ring 22,0x2,5 MM	1	-,-	1	10
21	1 615 806 188	Hammer Pipe	1	-,-	1	32
22	1 616 317 069	Pinion	1	-,-	1	20
23	1 616 317 070	Cylindrical Gear	1	-,-	1	21
24	1 613 101 011	Transmission Shaft	1	-,-	1	19
25	1 616 409 023	Coupling hub	1	-,-	1	14
27	1 618 710 085	Striker	1	-,-	1	22
28	1 613 124 084	Striker Pin	1	-,-	1	16
29	1 613 100 034	Piston Pin	1	-,-	1	14
31	1 614 601 053	Retaining ring	1	-,-	1	10
33	1 610 322 014	Switching Element	1	-,-	1	16
34	1 610 905 034	Ball Bearing 8x22x6	1	-,-	1	19
36	1 610 551 008	Holding Plate	1	-,-	1	11
37	1 610 100 016	Guide Disc	1	-,-	2	11
38	1 616 317 072	Cylindrical Gear	1	-,-	1	19
39	1 614 601 055	Retaining ring	1	-,-	1	10
40	1 613 100 032	Straight Pin	1	-,-	2	10
41	1 610 102 072	Ratchet Disc	1	-,-	1	18
42	1 610 301 004	Plain bearing	1	-,-	1	15
44	1 610 190 054	Support Disc	1	-,-	1	11
46	1 614 630 002	Compression Spring	1	-,-	1	15
47	1 610 905 035	Ball Bearing	1	-,-	1	28
48	1 614 601 054	Retaining ring	1	-,-	1	11

Item	Part Number	Description	Illustration	Price	Quantity	Price Group
49	1 619 P00 829	Retaining ring	1	-,-	1	10
50	1 600 A00 FL3	Thrust Ring	1	-,-	1	14
51	1 613 231 014	Shift Plate	1	-,-	1	16
52	1 614 690 005	Coiled Spring	1	-,-	1	11
53	1 619 P00 828	Pressure Disc	1	-,-	3	10
54	1 613 100 033	Guide Rod	1	-,-	1	11
55	1 610 508 052	Protective Cap	1	-,-	1	10
60	1 614 601 077	Spring retaining ring	1	-,-	1	11
63	1 903 230 013	Ball DIN 5401-Ø7MM-III-ST	1	-,-	1	11
66	1 900 905 029	Ball Bearing 8x22x7	1	-,-	1	28
67	1 610 905 033	Ball Bearing	1	-,-	1	21
68	1 614 601 052	Plain Washer	1	-,-	1	10
69	1 613 231 016	Change-Over Switch	1	-,-	1	10
71	1 619 P00 219	Tapping Screw	1	-,-	16	10
72	1 619 P00 220	Torx Oval-Head Screw 3x10	1	-,-	6	10
73	2 914 201 483	Torx Oval-Head Screw	1	-,-	3	10
120	1 619 P00 848	Warning Label	1	-,-	1	-
651	2 602 025 149	Auxiliary Handle	2	-,-	1	21
652	2 609 005 615	Depth-Gauge	2	-,-	1	16
655	1 618 571 031	Key Chuck	2	-,-	1	34
655/872	2 607 950 007	Chuck Wrench SG2	2	-,-	1	19
801	1 619 P01 707	Housing Set	1	-,-	1	38
803	1 619 P01 709	Armature set 115V	1	-,-	1	39
808	1 619 P01 733	Nameplate	1	-,-	1	13
816	1 619 P01 777	Carbon-Brush Set	1	-,-	1	23
818	1 619 P01 772	Intermediate Flange	1	-,-	1	25
820	1 619 P01 783	Switch Button	1	-,-	1	15
821	1 619 P01 773	Hammer Pipe	1	-,-	1	38
822	1 619 P01 767	Transmission Shaft	1	-,-	1	35
826	1 618 700 083	Hammer Piston	1	-,-	1	24
830	1 619 P01 775	Drive bearing	1	-,-	1	30
832	1 610 508 051	Rubber Bushing	1	-,-	1	16
856	1 619 P02 182	Protection Sleeve	1	-,-	1	23
865	1 610 210 186	O-Ring 13,0x3,0 MM	1	-,-	1	12
870	1 619 P01 978	Connecting Cable	1	-,-	1	15
891	1 619 P01 717	Lock	2	-,-	1	13

Illustration - Type E

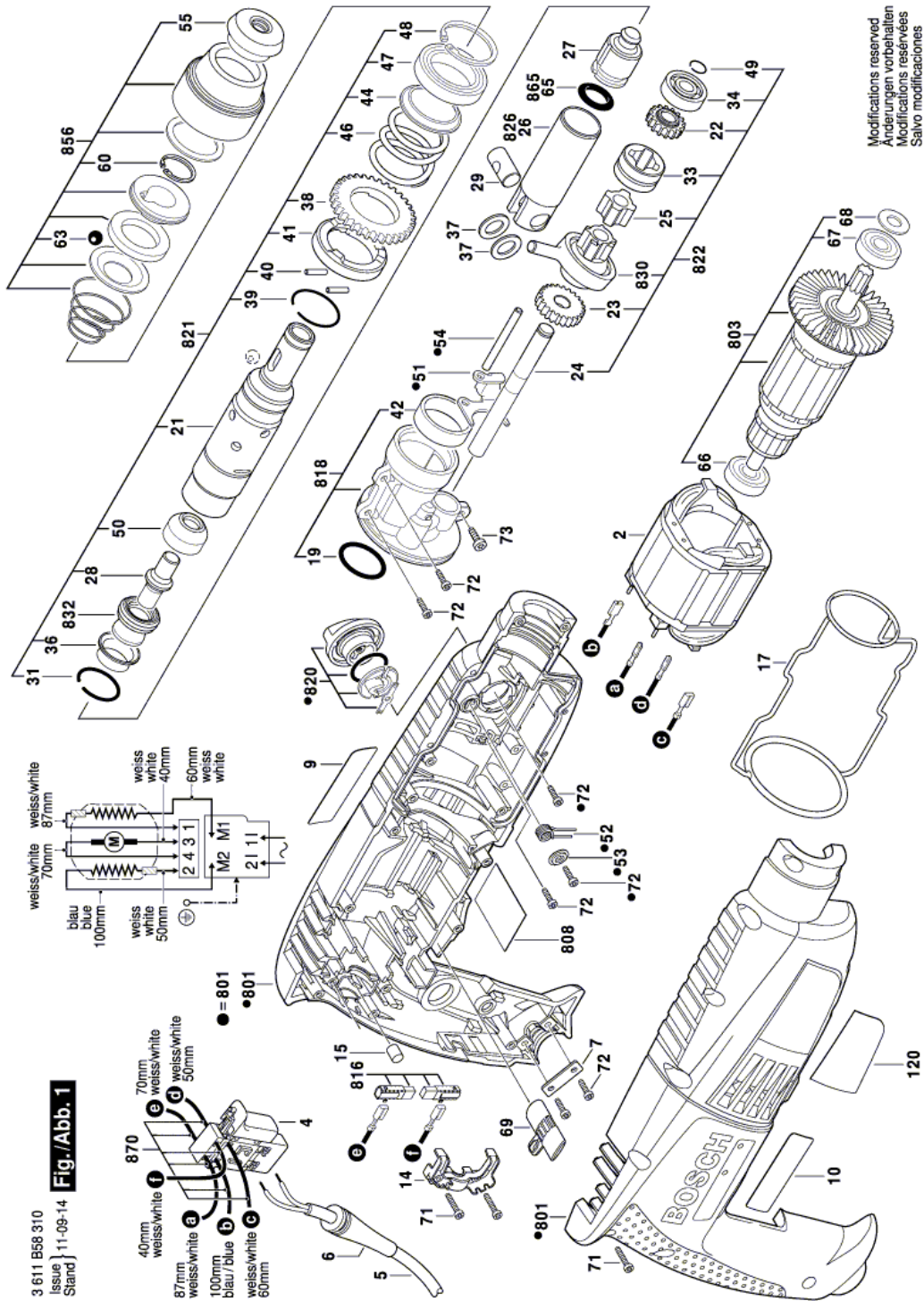
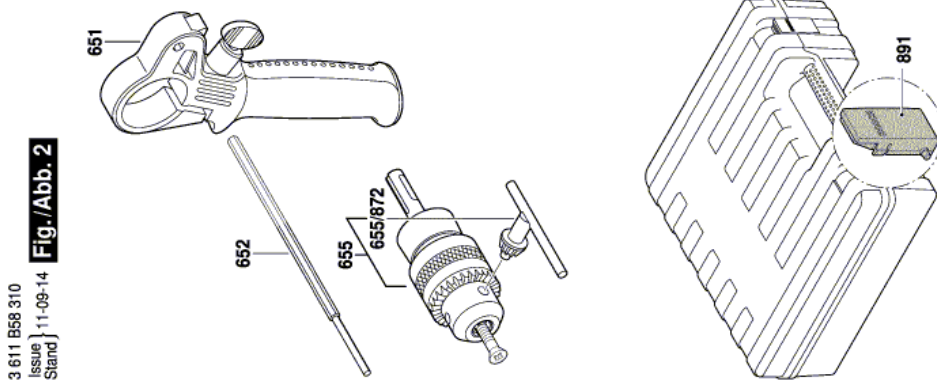


Illustration - Type E

Modifications reserved
Änderungen vorbehalten
Modificaciones reservadas
Salvo modificaciones



3 611 B58 310
Issue 11-09-14
Stand } **Fig./Abb. 2**

Information subject to change without further notice.