



BOSCH

Rotary Hammer

11255VSR | 3 611 B76 010

Table of Content

Spare parts list.....	2
Illustration - Type.....	5

Spare parts list

Item	Part Number	Description	Illustration
2	1 614 220 177	Field 110-120V	1
3	1 617 000 V31	Armature With Fan	1
3/13	1 610 905 025	groove ball bearing 7x19x6	1
3/14	1 610 905 048	groove ball bearing 9x24x7	1
3/49	1 615 700 044	End Shield	1
3/5	1 616 610 094	Fan	1
4	1 607 200 30T	Switch	1
5	2 604 460 239	Power supply cord USA/CDN 2,70m 2 x 0,82 SJ18/2	1
6	1 600 703 034	Grommet Ø7,3-Ø8,6x66 MM	1
7	1 601 035 008	Cable Clip	1
9	1 611 110 Y39	Manufacturer's nameplate	1
10	1 611 110 Y40	Manufacturer's nameplate	1
11	1 611 110 Y43	Warning Plate	1
16	1 614 336 064	Brush Plate	1
17	1 600 A00 32J	Adapter module	1
18	1 610 290 183	Clutch Sleeve	1
19	1 611 329 024	Switch Contact	1
24	1 617 000 6EJ	Toothed Shaft	1
26	1 617 000 557	Hammer Piston	1
26/27	1 610 311 018	Striker	1
26/29	1 613 105 012	Piston Pin	1
26/56	1 610 210 187	O-Ring	1
26/71	1 610 101 011	Shim washer 1,2 MM THICK	1
30	1 615 819 028	Drive bearing	1
30/35	1 610 202 024	Plain bearing	1
31	1 610 913 016	Needle-Roller Assembly	1
32	1 612 026 037	Clamp Handle BLACK	1
32/46	1 614 690 002	Driver Pin	1
32/49	1 612 026 035	Switch Button RED	1
32/76	1 610 210 046	O-Ring 10,5x2,7 MM	1
32/83	1 614 611 006	Compression Spring	1
36	1 611 016 003	Holding Plate	1
41	1 615 132 113	Handle Cover	1
44	1 610 508 047	Protective Cap	1

Rotary Hammer | 11255VSR | 3 611 B76 010

Spare parts list

Item	Part Number	Description	Illustration
45	1 610 522 013	Air-Deflector Ring	1
47	1 613 100 030	Needle Roller	1
48	1 611 098 008	Tab Washer	1
54	1 600 502 023	Intermediate Ring	1
55	1 610 290 226	Seal Ring 53,0x7,0 MM	1
57	1 610 210 068	O-Ring 24,0x2,5 MM	1
63	1 610 910 063	Needle bearing Ø30xØ37x12 MM	1
64	1 610 390 053	Bushing	1
66	1 610 202 021	Plain bearing	1
68	1 610 283 036	Rotary shaft lip seal	1
70	1 903 230 013	Ball DIN 5401-Ø7MM-III-ST	1
74	1 614 601 027	Retaining ring	1
75	1 610 101 629	Retaining Washer	1
76	1 603 430 00A	Thread-forming tap. Screw	1
78	2 603 490 022	Screw 4x16	1
79	1 613 435 023	Thread-forming tap. Screw	1
80	1 613 435 043	Screw	1
87	2 916 540 012	Retaining ring DIN 7993-A22	1
101	1 614 449 018	Connecting Cable	1
102	1 614 449 019	Connecting Cable	1
103	2 603 490 017	Torx Oval-Head Screw 3x10	1
106	1 614 611 022	Plain bearing	1
106/105	1 614 611 021	Compression Spring	1
110	1 615 510 007	Strap	1
113	1 611 015 057	Stop Plate	1
114	1 610 301 006	Bushing	1
311/111	1 611 016 004	Tappet	1
311/112	1 611 010 008	Pressure Plate	1
311/115	1 614 643 017	Compression Spring	1
321/22	1 616 312 004	Cylindrical Gear	1
321/28	1 613 124 081	Striker Pin	1
321/33	1 610 590 014	Holding Jacket	1
321/34	1 610 190 067	Supporting Disc	1
321/37	1 613 100 019	Straight Pin DIN6325-2,5x12-RIKO	1
321/38	1 610 190 048	Catch Disk	1

Spare parts list

Item	Part Number	Description	Illustration
321/42	1 610 102 073	Thrust Ring	1
321/46	1 610 390 051	Guide Bushing	1
321/50	1 614 611 020	Compression Spring	1
321/58	1 610 210 178	O-Ring	1
321/59	1 610 283 035	Rotary shaft lip seal	1
321/60	1 610 210 176	O-Ring 9,0x3,5 MM	1
321/62	1 610 210 179	O-Ring	1
321/72	1 604 601 027	Retaining ring	1
321/82	1 614 601 034	Retaining ring	1
321/83	1 604 601 028	Retaining ring A22 DIN 7993	1
801	1 617 000 470	Motor Housing	1
808	2 610 044 782	Name Plate	1
811	1 617 000 525	Carbon-Brush Set 220 V / 127 V	1
820	1 617 000 6DX	Intermediate Flange	1
821	1 617 000 564	Pipe	1
823	1 617 000 579	Toothed Shaft	1
825	1 617 000 598	Tool Holding Fixture	1
840	2 610 045 631	Gear Housing	1
843	1 617 000 582	Protection Sleeve	1
861	1 615 820 097	Switching Element	1
120	1 602 025 08X	Auxiliary Handle	2
120/120	1 602 025 07H	Auxiliary Handle	2
120/124	1 611 316 021	Clamping Band Ø50 MM	2
120/125	1 613 490 002	T-Head Bolt M8x40 MM	2
120/802	1 617 000 475	Support clamp	2
651	1 613 001 009	Depth-Gauge SW 6x210 MM	2

Illustration - Type - E

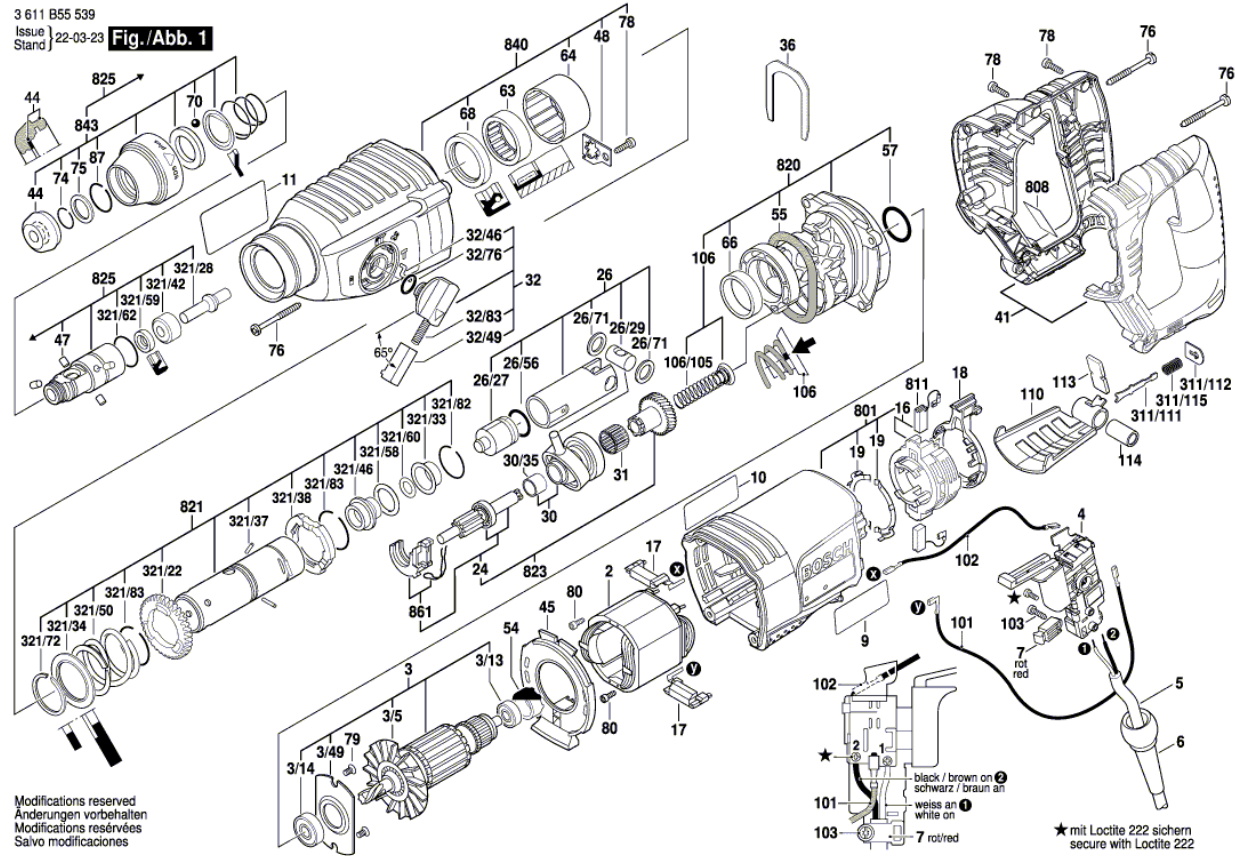
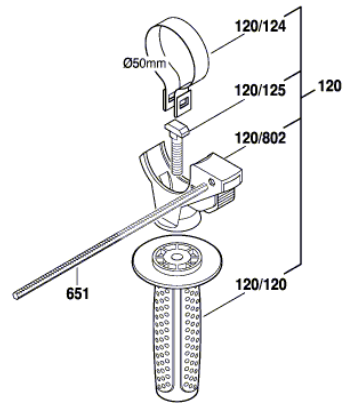


Illustration - Type - E

3 611 B55 539
Issue |
Stand | 12-12-12 **Fig./Abb. 2**



Modifications reserved
Änderungen vorbehalten
Modifications réservées
Salvo modificaciones