



SERVICE PARTS LIST

BUL. 54-08-2161

1/2" ELECTRIC DRILL

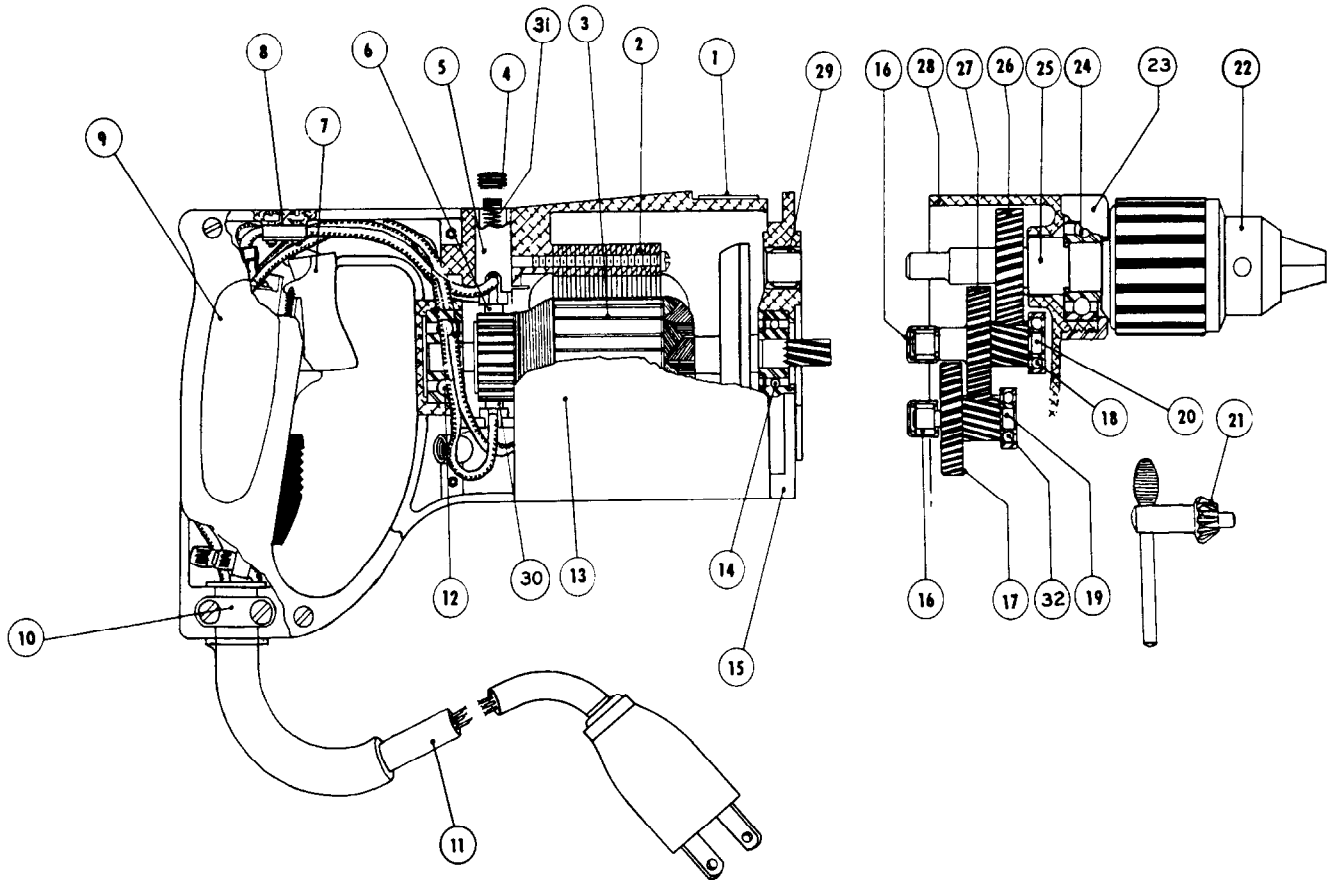
REVISED BUL 6324-2 DATE June '68

Catalog No. 1120-1

Starting Serial No. 324-1286

WIRING INSTR. 58-01-0150

Both Model and Serial No. must be furnished to obtain correct parts.



ILLUSTRATED PARTS

FIG.	PART NO.	DESCRIPTION OF PART
1	12-98-0800	Name Plate
2	18-40-1020	Field Assembly
3	16-40-1030	Armature with Fan
4	23-44-0020	Brush Retaining Screw (2)
5	22-22-0170	Brush Holder Assembly (2)
6	22-18-0280	Carbon Brush Assembly
7	23-66-0440	Switch
★8	42-14-0090	Wire Baffle
9	28-20-3601	Handle Cover
10	28-17-0400	Cord Clamp
11	22-64-0310	Cord Set
12	02-04-0970	Ball Bearing
13	28-50-4489	Motor Housing
14	02-04-0940	Ball Bearing
15	28-28-0661	Diaphragm
16	02-50-1640	Needle Bearing

FIG.	PART NO.	DESCRIPTION OF PART
17	32-40-1241	Intermediate Gear
18	02-04-0820	Ball Bearing
19	36-66-2801	Intermediate Pinion Shaft
20	36-66-4001	Intermediate Pinion Shaft
21	48-66-3280	Chuck Key
22	48-66-1360	Chuck
23	42-52-0071	Bearing Cap
24	02-04-1560	Ball Bearing
25	38-50-3651	Spindle
26	32-75-2061	Spindle Gear
27	32-75-2041	Spindle Gear
28	28-14-1261	Gear Case
29	02-50-2110	Needle Bearing
30	22-18-0320	Carbon Brush Assembly
31	23-52-0090	Brush Spring
32	02-04-0640	Ball Bearing

MISCELLANEOUS PARTS NOT SHOWN

PART NO.	DESCRIPTION OF PART
45-36-0210	Spindle Gear Spacer
43-62-0160	Handle
44-90-0130	Handle Ring
06-42-0800	Woodruff Keys (2)
06-81-8400	4-40x1/4 Rd.Hd. Name Plate Sems (2)
06-81-5800	6-32x5/16 Fil.Hd. Switch Mtg. Sems (2)
23-16-0050	Switch Insulator
22-56-0160	Connector (2)
★06-97-1800	Lock Washer (4)
★06-81-6150	8-32x1/2 Fil.Hd. Cord Clamp Screw (2)

PART NO.	DESCRIPTION OF PART
★48-66-4040	Key Holder
06-81-6350	8-32x1 Fil.Hd. Gear Case Sems
06-81-6650	8-32x1-3/4 Fil.Hd. Gear Case Sems (2)
06-81-6600	8-32x1-3/4 Fil.Hd. Field Sems (2)
06-83-2650	1/4-20x3/8 Hd'less Brush Holder Set Scs. (2)
06-81-3700	8-32x7/8 Oval Hd Handle Cover Screws (2)
06-75-3150	1/4-20x1 L.H. Socket Cap Screw
23-16-0340	Switch Insulator
★06-42-1600	Woodruff Key
★06-81-3750	8-32x1 Oval Hd. Handle Cover Screw (2)