



SERVICE PARTS LIST

BUL. 54-08-2140

1/2" ELECTRIC DRILL

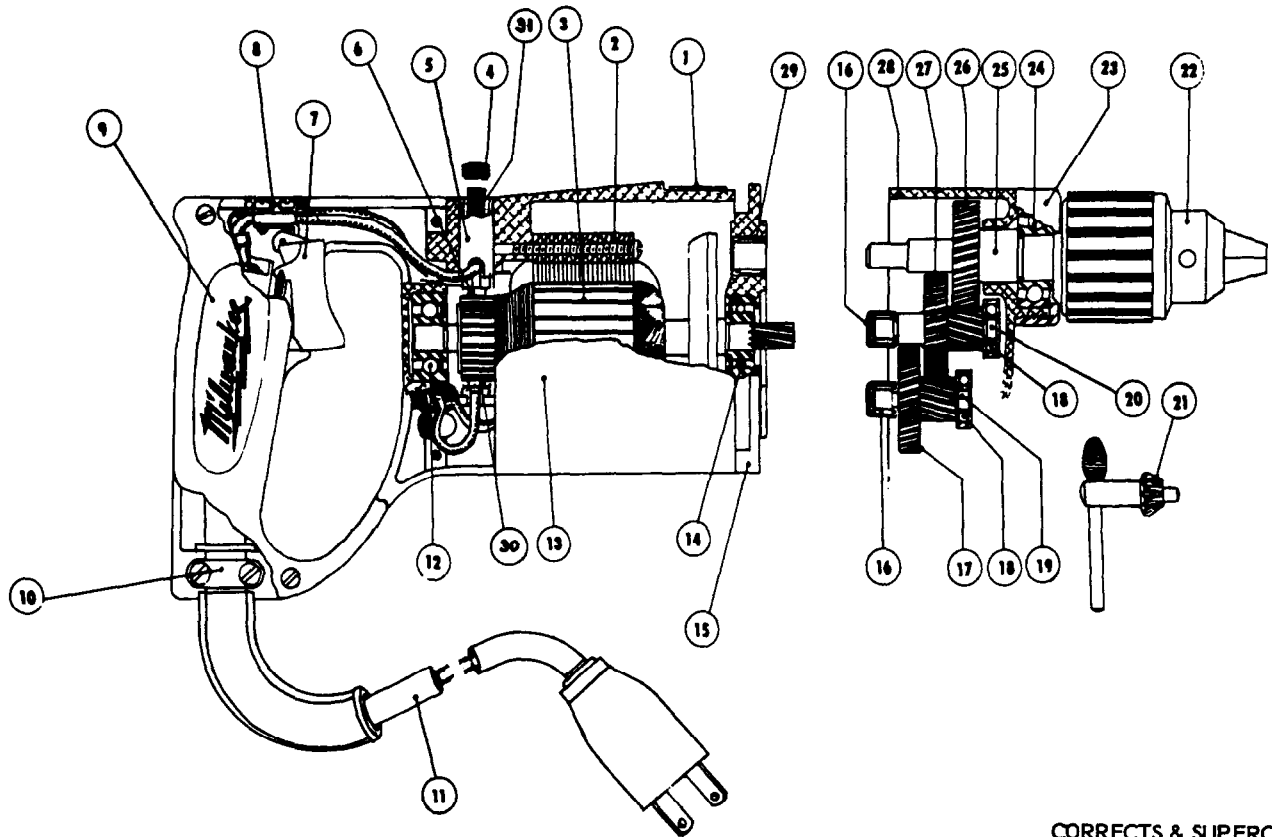
REVISED BUL 6306-1 DATE FEB. '68

Catalog No. 1120

Starting Serial No. 306-1001

WIRING INSTR.

Both Model and Serial No. must be furnished to obtain correct parts.



CORRECTS & SUPERCEDES
SERVICE BULLETIN 6306-1
DATED 4/17/62

ILLUSTRATED PARTS

FIG.	PART NO.	DESCRIPTION OF PART	FIG.	PART NO.	DESCRIPTION OF PART
1	12-98-0800	Name Plate	17	32-40-1241	Intermediate Gear
2	18-40-1000	Field Assembly	18	02-04-0640	Ball Bearing
3	16-40-1000	Armature with Fan	19	36-66-2801	Intermediate Pinion Shaft
4	23-44-0020	Brush Retaining Screw	(2) 20	36-66-2901	Intermediate Pinion Shaft
5	22-22-0170	Brush Holder Assembly	(2) 21	48-66-3280	Chuck Key
6	22-18-0280	Carbon Brush Assembly	22	48-66-1280	Chuck (1/2-20 Thread 3-Jaw)
7	23-66-0230	Switch	23	42-52-0071	Bearing Cap
8	45-36-0110	Switch Spacer	24	02-04-1560	Ball Bearing
9	28-20-3601	Handle Cover	25	38-50-3601	Spindle
10	28-17-0400	Cord Clamp Strap	26	32-75-2061	Spindle Gear
11	22-64-0310	Cord Set	27	32-75-2041	Spindle Gear
12	02-04-0970	Ball Bearing	28	28-14-0961	Gear Case
13	28-50-4486	Motor Housing	29	02-50-2110	Needle Bearing
14	02-04-0940	Ball Bearing	30	22-18-0290	Carbon Brush Assembly
15	28-28-0661	Diaphragm	31	23-52-0090	Brush Spring (2)
16	02-50-1640	Needle Bearing			

MISCELLANEOUS PARTS NOT SHOWN

PART NO.	DESCRIPTION OF PART	PART NO.	DESCRIPTION OF PART
45-36-0210	Spacer	06-81-6100	8-32x7/16 Fil. Hd. Cord Clamp Strap Sems (2)
43-62-0161	Handle	06-81-6350	8-32x1 Fil. Hd. Gear Case Sems
44-90-0130	Handle Ring	06-81-6650	8-32x1-3/4 Fil. Hd. Gear Case Sems
06-42-0800	Woodruff Keys (3)	06-81-6600	8-32x1-3/4 Fil. Hd. Field Sems
06-81-8400	4-40x1/4 Rd. Hd. Name Plate Sems (2)	06-83-2650	1/4-20x3/8 Hd'less Brush Holder Set Scs. (2)
06-81-5800	6-32x5/16 Fil. Hd. Switch Mtg. Sems (2)	06-81-3700	8-32x7/8 Oval Hd. Handle Cover Screws (4)
23-16-0050	Switch Insulator		