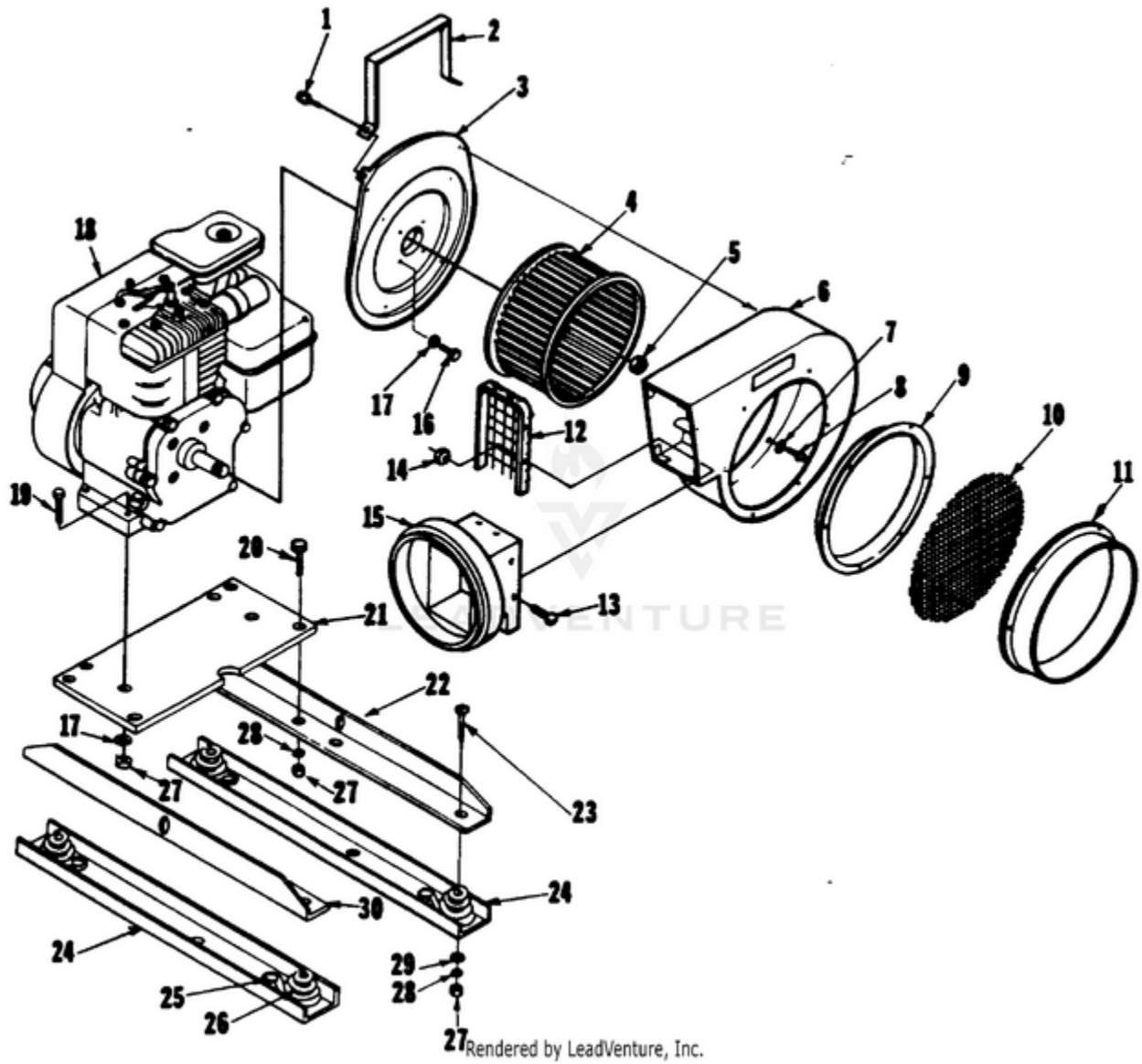


111B1B Blower UT-07423



Ref #	Part #	Description	Qty
1	806813	SCREW- Hex hd. 1/4-20 x 1/2	2
2	546732	HANDLE- Carrying	1
3	768432A	PLATE- Blower mounting	1
4	A47239	ROTOR- Blower	1
5	81209	NUT- Elastic stop, 5/8-18 (111B-1 only)	1
6	300393B	HOUSING- Blower	1
	300396	HOUSING- Blower	1
7	83009	WASHER- Lock 1/4	6
8	80355	SCREW- Hex hd., 1/4-20 x 1/2	6
9	300382	VENTURI- Blower	1
10	30028	SCREEN- Inlet	1
11	300292	COLLAR- Inlet	1
12	A42541	Support & Screen (discharge)	1
	A42258	Support & Screen	1
13	80672	SCREW- Pan hd., 10-24 x 1/2	6
14	81092	NUT- Hex 10-24	6
13	82287	SCREW- Pan hd., 10-24 x 5/8	6
15	768512A	OUTLET- Blower	1
	427351	OUTLET- Blower	1
16	80376	SCREW- Hex hd., 5/16-24 x 7/8	4
17	83002	WASHER- Lock 5/16	8
18	A43169A	ENGINE- B & S	1
19	80087	SCREW- Hex hd. 5/16-18 x 1 1/2	4
20	80695	SCREW- Hex hd. 5/16-18 x 3/4	4
21	759141	SUPPORT- Engine	1
22	740222	ANGLE- Base (left side)	1
23	800851	SCREW- Hex hd. 5/16-18 x 1	4
24	A76838	NLA(NO LONGER AVAILABLE)	2
25	85025	RIVET 1/4 x 1/2	2
26	50389	SPRING	2
27	81162	NUT- Hex 5/16-18	12
28	83003	WASHER- Lock 5/16	8
29	84032	WASHER- Flat 5/16	4

Ref #	Part #	Description	Qty
30	740232	ANGLE- Base (right side)	1
	81148	NUT- Engine speed control (not shown)	1
	30126	DUCT-Canvas (8" x 15') collapsible	1
	23488-B	LOCTITE	1
	30189A	SPIRATUBE w/straps (8" x 10')	1
	30188A	SPIRATUBE w/straps (8" x 15')	1
	30492A	SPIRATUBE w/straps (8" x 25')	1