

SERVICE PARTS LIST

BULLETIN NO.
54-08-1251

SPECIFY CATALOG NO. AND SERIAL NO. WHEN ORDERING PARTS		REVISED BULLETIN 54-08-1250	DATE Mar. 2001
CORDLESS KEYLESS 1/2" D-HANDLE DRILL			
CATALOG NO.	1108-20 1108-21	STARTING SERIAL NO.	937B
		WIRING INSTRUCTION 58-01-0790	

EXAMPLE:
Component Parts (Small #)
Are Included When Ordering
The Assembly (Large #).

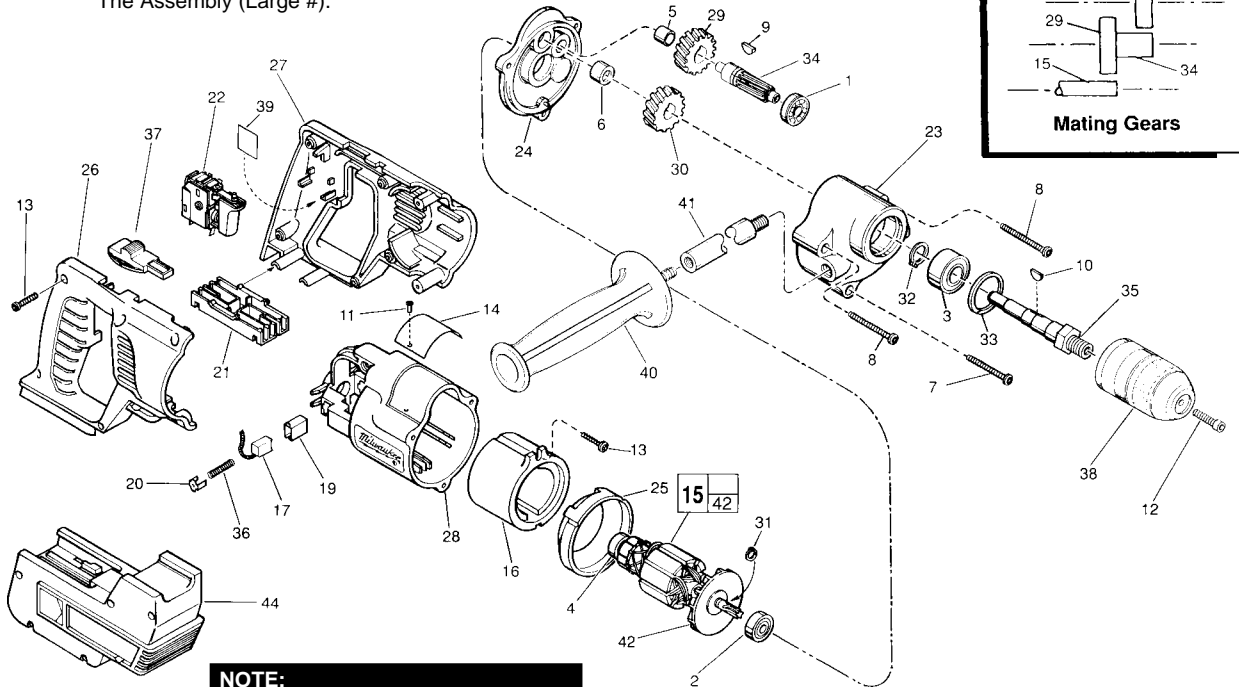


FIG.	PART NO.	DESCRIPTION OF PART	NO. REQ.
1	02-04-0725	Ball Bearing	(1)
2	02-04-0911	Ball Bearing	(1)
3	02-04-1536	Ball Bearing	(1)
4	02-04-5130	Ball Bearing	(1)
5	02-50-1640	Needle Bearing	(1)
6	02-50-2440	Needle Bearing	(1)
7	05-88-5905	K50 x 41mm Pan Hd. PT T-20	(1)
8	05-88-5927	K50 x 63mm Pan Hd. PT T-20	(2)
9	06-42-0800	Woodruff Key	(1)
10	06-42-2000	Woodruff Key	(1)
11	06-72-1720	Nameplate Rivet	(2)
12	06-75-3150	1/4-20 x 1" L.H. Thread Socket Hd. Screw	(1)
13	06-82-7261	6-19 x 11/16" Pan Hd. Sl. Plastite T-15	(8)
14	12-99-0012	Service Nameplate	(1)
15	16-01-0100	Armature	(1)
16	18-01-0055	Field	(1)
17	22-18-0975	Carbon Brush Assembly-Right	(1)
17A	22-18-0970	Carbon Brush Assembly-Left (Not Shown)	(1)
19	22-20-0860	Brush Tube	(2)
20	22-32-0400	Brush Spring Clip	(2)
21	22-56-0200	Connector Block	(1)
22	23-66-2350	Switch	(1)
23	28-14-1922	Gearcase	(1)
24	28-28-0601	Diaphragm	(1)
25	31-05-0080	Baffle	(1)
★26	-----	Handle Half-Right	(1)
★27	-----	Handle Half-Left	(1)
28	31-50-0961	Motor Housing	(1)
29	32-40-1251	Intermediate Gear	(1)

FIG.	PART NO.	DESCRIPTION OF PART	NO. REQ.
30	32-75-2011	Spindle Gear	(1)
31	34-60-0650	External Retaining Ring	(1)
32	34-60-1200	Retaining Ring	(1)
33	34-80-2500	Retaining Ring	(1)
34	36-66-2711	Intermediate Pinion	(1)
35	38-50-5475	Spindle	(1)
36	40-50-8775	Brush Spring	(2)
37	45-24-0220	3 Position Locking Slide	(1)
38	48-66-0600	1/2" Keyless Chuck	(1)
39	10-15-0175	Wiring Instruction Label	(1)
40	43-62-0880	Side Handle	(1)
41	43-62-1170	Side Handle Extension	(1)
42	22-84-0830	Fan Assembly	(1)
★44	-----	Battery (Accessory)	(1)
	23-94-5890	Leadwire Assy.-Black (See 58-01-0790)	(1)
	23-94-5895	Leadwire Assy.-White (See 58-01-0790)	(1)

FIG. 23 LUBRICATION:
3-3/4 Oz. Type "A" Grease, No. 49-08-0800.

FIG. 17,17A,19 NOTES:
Remove Brushes And Brush Tubes To Prevent Damage When Installing Or Removing Armature From Motor Housing.
40 Apply Red Loctite To Threads Of Side Handle.

MILWAUKEE ELECTRIC TOOL CORPORATION
13135 W. LISBON RD., BROOKFIELD, WI 53005