



SERVICE PARTS LIST

BULLETIN NO.
55-08-8000

SPECIFY CATALOG NO. AND SERIAL NO. WHEN ORDERING PARTS	
13mm REVERSING DRILL	
CATALOG NO. 1107-55	STARTING SERIAL NO. A29A

REVISED BULLETIN	DATE
	Sept. 2002
WIRING INSTRUCTION	
58-03-1541	

EXAMPLE:
Component Parts (Small #)
Are Included When Ordering
The Assembly (Large #).

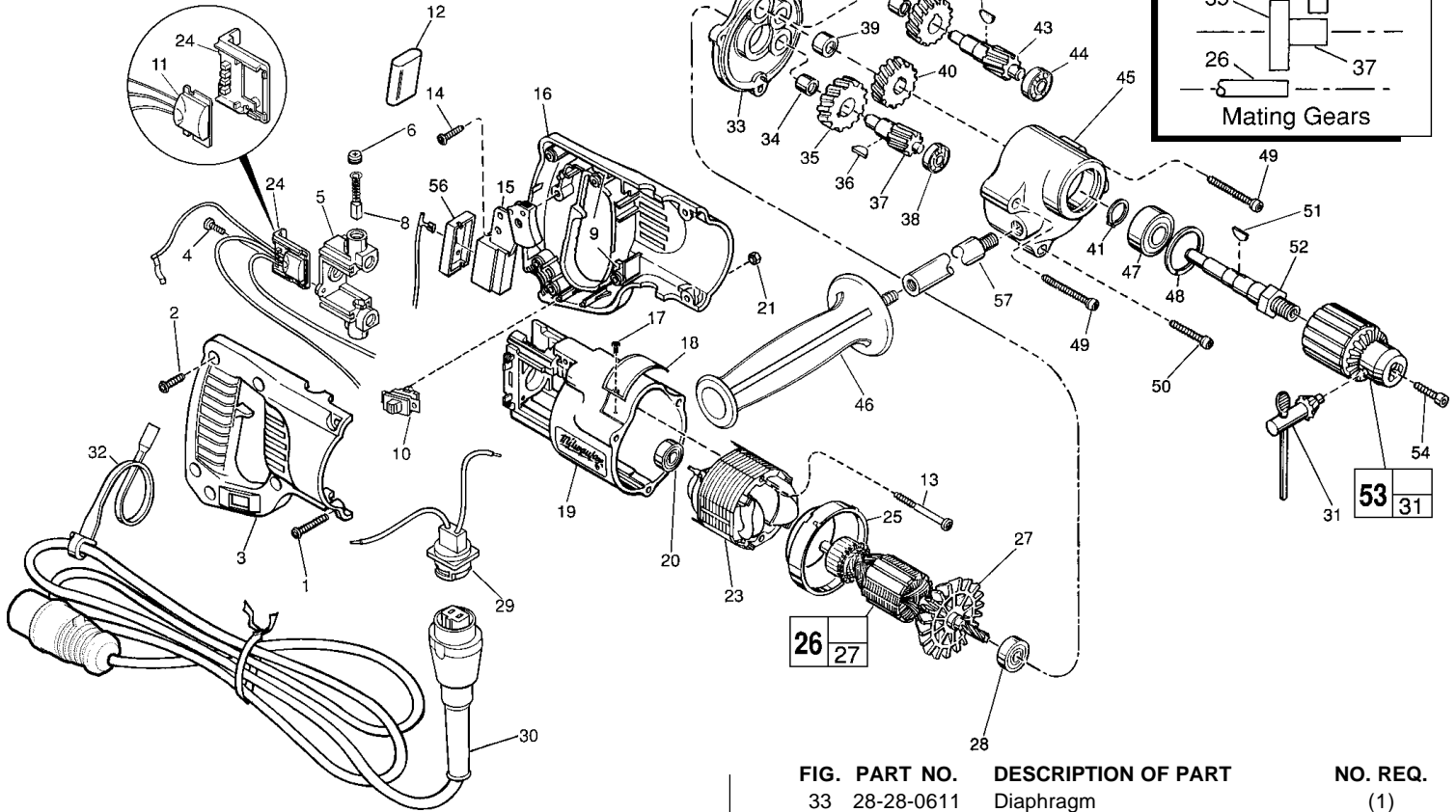
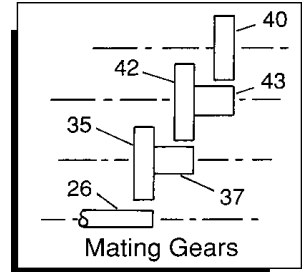


FIG.	PART NO.	DESCRIPTION OF PART	NO. REQ.
1	06-82-2390	8-32 x 1-1/4" Pan Hd. Slotted T-20	(2)
2	06-82-7270	8-16 x 5/8" Pan Hd. Plastite T-20	(5)
3	31-44-1666	Right Handle Half	(1)
4	06-82-7240	6-19 x 1/2" Pan Hd. Plastite T-15	(2)
5	22-22-1380	Brush Holder Assembly	(1)
6	23-44-0190	Brush Retaining Cap	(2)
8	22-18-0910	Carbon Brush Assembly	(2)
9	14-46-1001	Foam Slug Kit-10 Slugs	(2)
10	14-20-0695	Reversing Switch And Cap Assembly	(1)
11	14-20-0615	Remote Electronic Assembly	(1)
12	14-20-0580	Suppressor Assembly	(1)
13	06-82-7410	8-16 x 1-7/8" Pan Hd Sl. Plastite T-20	(2)
14	06-82-7270	8-16 x 5/8" Pan Hd. Plastite T-20	(1)
15	23-66-1975	Switch	(1)
16	31-44-1661	Left Handle Half	(1)
17	06-82-5270	6-32 X 1/4" Pan Hd. Taptite T-15	(2)
18	12-99-2674	Service Nameplate	(1)
19	31-50-0020	Motor Housing	(1)
20	02-04-0845	Ball Bearing	(1)
21	06-55-0835	8-32 Hex Nut	(2)
23	18-31-0600	Field	(1)
24	43-72-0176	Heat Sink Holder	(1)
25	31-05-0055	Baffle	(1)
26	16-30-1226	Armature	(1)
27	22-84-0531	Fan Assembly	(1)
28	02-04-0911	Ball Bearing	(1)
29	22-56-0697	Blade Housing Assembly	(1)
30	22-64-0676	Quik-Lok Cord Set	(1)
31	48-66-3280	Chuck Key	(1)
32	48-66-4040	Key Holder	(1)

FIG.	PART NO.	DESCRIPTION OF PART	NO. REQ.
33	28-28-0611	Diaphragm	(1)
34	02-50-1640	Needle Bearing	(2)
35	32-40-1251	Intermediate Gear	(1)
36	06-42-0800	Woodruff Key	(2)
37	36-66-2811	Intermediate Shaft	(1)
38	02-04-0640	Ball Bearing	(1)
39	02-50-2440	Needle Bearing	(1)
40	32-75-3470	Spindle Gear	(1)
41	34-60-1200	Retaining Ring	(1)
42	32-75-2051	2nd Intermediate Gear	(1)
43	36-66-9670	2nd Intermediate Shaft	(1)
44	02-04-0820	Ball Bearing	(1)
45	28-14-1922	Gear Case	(1)
46	43-62-0880	Side Handle	(1)
47	02-04-1536	Ball Bearing	(1)
48	34-80-2500	Retaining Ring	(1)
49	05-88-5927	K50 x 63mm PT Screw	(2)
50	05-88-5905	K50 x 41mm PT Screw	(1)
51	06-42-2000	Woodruff Key	(1)
52	38-50-5475	Spindle	(1)
53	48-66-1360	13mm Chuck	(1)
54	06-75-3150	1/4-20 x 1" L.H. Skt. Cap Screw	(1)
56	45-12-0470	Dust Shield	(1)
57	43-62-1170	Side Handle Extension	(1)

FIG. LUBRICATION:
45 3-3/4 Oz. Type "A" Grease, No. 49-08-0800.
FIG. NOTES:
46 Apply Red Loctite To Threads Of Side Handle.