



SERVICE PARTS LIST

BULLETIN NO.
54-08-1211

SPECIFY CATALOG NO. AND SERIAL NO. WHEN ORDERING PARTS		REVISED BULLETIN 54-08-1210	DATE May '84
1/2" REVERSING DRILL			
CATALOG NO. 1107-1	STARTING SERIAL NO. 629-23000	WIRING INSTRUCTION 58-01-0248	
CAT. NO. 1107-6	START SER. NO. 629-23000	BILINGUAL LABEL 10-98-6400	

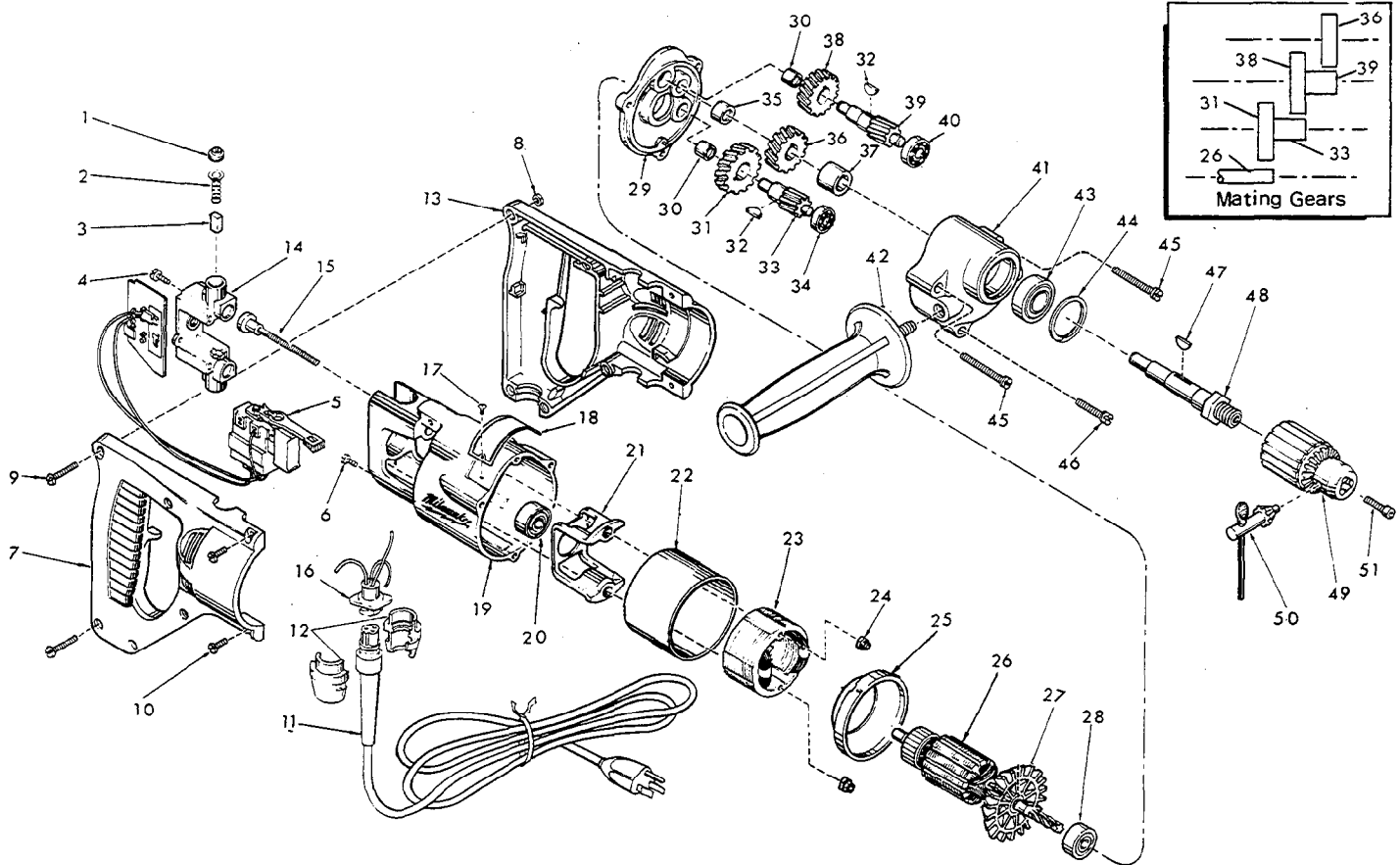


FIG.	PART NO.	DESCRIPTION OF PART	NO. REQ.	FIG.	PART NO.	DESCRIPTION OF PART	NO. REQ.
★	1	23-44-0190 Brush Retaining Screw	(2)	★	28	02-04-0911 Ball Bearing	(1)
	2	23-52-0160 Brush Spring	(2)	★	29	28-28-0665 Diaphragm	(1)
★	3	22-16-0275 Carbon Brush	(2)	30	02-50-1640 Needle Bearing	(2)	
★	4	06-95-0075 6-32 x 3/8 Trus Hd. Taptite Screw	(2)	31	32-40-1241 Intermediate Gear	(1)	
	5	23-66-1125 Switch	(1)	32	06-42-0800 Woodruff Key	(2)	
	6	06-95-5150 Ground Screw	(1)	33	36-66-2801 Intermediate Shaft	(1)	
	7	31-44-0630 R.H. Half D Handle	(1)	34	02-04-0640 Ball Bearing	(1)	
	8	06-55-0835 8-32 Hex Nut	(5)	35	02-50-2110 Needle Bearing	(1)	
	9	06-81-0473 8-32 x 1" Pan Hd. Pozidriv Screw	(5)	36	32-75-2061 Spindle Gear	(1)	
	10	06-95-0700 8-32 x 1/2" Pan Hd. Taptite Screw	(4)	37	45-36-0210 Spindle Gear Spacer	(1)	
	11	48-76-3008 (Includes Fig. No. 12)	(1)	38	32-75-2041 Spindle Gear	(1)	
	12	44-40-0440 Cord Nut	(2)	39	36-66-4001 Intermediate Shaft	(1)	
	13	31-44-0640 L.H. Half D Handle	(1)	40	02-04-0820 Ball Bearing	(1)	
★	14	22-22-1330 Brush Holder Assembly	(1)	41	28-14-0691 Gear Case	(1)	
★	15	06-81-1058 Insulated Field Bolt	(2)	★	42	43-62-0875 Side Handle	(1)
	16	22-56-0391 Pin Housing Assy.	(1)	43	02-04-1560 Ball Bearing	(1)	
	17	06-85-0200 6x1/4 Rd. Hd. Type Z Screw	(2)	44	34-80-2500 Retaining Ring	(1)	
	18	12-99-0030 Nameplate	(1)	★	45	06-95-5270 8-32x1-7/8 Fil. Hd. Sem	(2)
★	19	28-50-6201 Motor Housing	(1)	★	46	06-95-5250 8-32x1-1/8 Fil. Hd. Sem	(1)
★	20	02-04-0845 Ball Bearing	(1)	47	06-42-1600 Woodruff Key	(1)	
	21	31-55-0030 Coil Shield	(1)	48	38-50-3651 Spindle	(1)	
	22	23-16-0456 Field Insulator	(1)	49	48-66-1360 1/2" Chuck (Includes Fig. No. 50)	(1)	
	23	18-30-0200 120 V. Field	(1)	50	48-66-3280 Chuck Key	(1)	
	24	06-57-2975 8-32 Flexlock Hex Nut	(2)	51	06-75-3150 1/4-20x1 L.H. Skt. Hd. Cap Screw	(1)	
	25	31-05-0050 Baffle	(1)	52	10-98-5987 Warning Label (Not Shown)	(1)	
★	26	16-30-0325 120 V. Armature (Incl. Fig. No. 27)	(1)	53	48-66-4040 Key Holder (Not Shown)	(1)	
	27	22-84-0530 Fan Assembly	(1)				