



# SERVICE PARTS LIST

**BULLETIN NO.**  
**54-08-1190**

SPECIFY CATALOG NO. AND SERIAL NO. WHEN ORDERING PARTS		REVISED BULLETIN 54-08-1189	DATE Mar. '95
<b>1/2" REVERSING DRILL</b>		WIRING INSTRUCTION <b>58-01-0214</b>	
CATALOG NO.	1101-1	STARTING SERIAL NO.	493A

**EXAMPLE:**  
Component Parts (Small #)  
Are Included When Ordering  
The Assembly (Large #).

00 | 0

**FOR SERIAL NUMBERS:**  
493A394500246 TO  
493A395100004 USE SERVICE  
PARTS LIST ON BACK SIDE

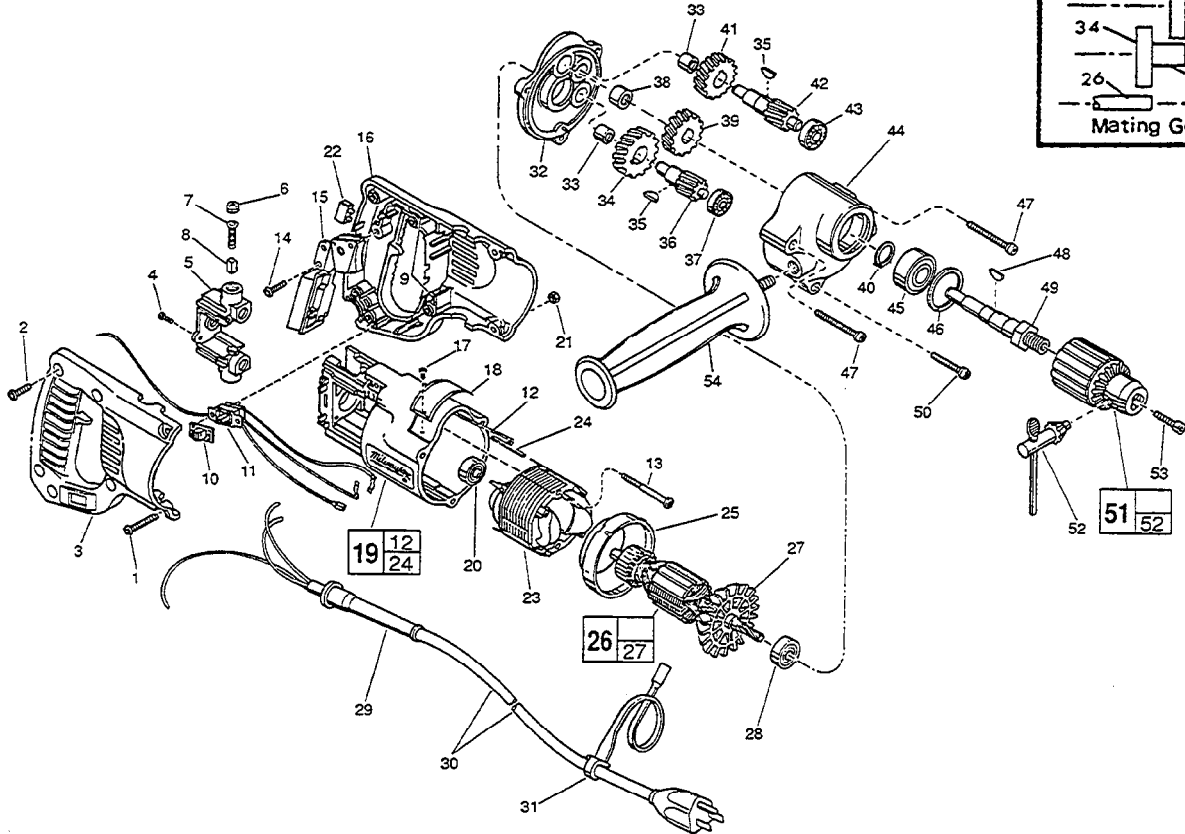
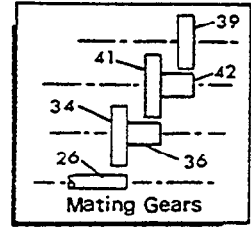


FIG.	PART NO.	DESCRIPTION OF PART	NO. REQ.
	1	06-82-5390 8-32x1-1/4" Taptite T-20	(2)
	2	06-82-7270 8-16 x 5/8" Pan Hd. Plastite T-20	(5)
	3	31-44-1651 Right Handle Half	(1)
	4	06-82-7240 6-19 x 1/2" Pan Hd. Plast. T-15	(2)
	5	22-22-1380 Brush Holder Assembly	(1)
	6	23-44-0190 Brush Retaining Cap	(2)
	7	23-52-0160 Brush Spring	(2)
	8	22-16-0275 Carbon Brush	(2)
	9	14-46-1001 Foam Pad Kit (10 Slugs)	(2)
	10	31-12-0196 Switch Cap	(1)
	11	23-66-1869 Switch Assembly	(1)
	12	23-94-6100 Ground Wire Assembly	(1)
	13	06-82-7410 8-16 x 1-7/8" Pan Hd. Slit Plastite T-20	(2)
	14	06-82-7270 8-16 x 5/8" Pan Hd. Plastite T-20	(1)
	15	23-66-0167 On-Off Switch	(1)
	16	31-44-1656 Left Handle Half	(1)
*	17	06-72-1720 Nameplate Rivet	(2)
*	18	12-99-1750 Service Nameplate	(1)
	19	31-50-0846 Motor Housing Assembly	(1)
	20	02-04-0845 Ball Bearing	(1)
	21	06-55-0835 8-32 Hex Nut	(1)
	22	22-56-0456 Terminal Block	(1)
	23	18-31-0200 120 V. Field	(1)
	24	44-60-0530 Ground Pin	(1)
	25	31-05-0050 Baffle	(1)
	26	16-30-0325 120 V. Armature	(1)
	27	22-84-0531 Fan Assembly	(1)
	28	02-04-0911 Ball Bearing	(1)
	29	44-76-0210 Cord Protector	(1)
	30	22-64-3190 Cord Set	(1)
	31	48-66-4040 Key Holder	(1)

FIG.	PART NO.	DESCRIPTION OF PART	NO. REQ.
	32	28-28-0611 Diaphragm	(1)
	33	02-50-1640 Needle Bearing	(2)
	34	32-40-1241 Intermediate Gear	(1)
	35	06-42-0800 Woodruff Key	(2)
	36	36-66-2801 Intermediate Shaft	(1)
	37	02-04-0640 Ball Bearing	(1)
	38	02-50-2440 Needle Bearing	(1)
	39	32-75-2061 Spindle Gear	(1)
	40	34-60-1200 Retaining Ring	(1)
	41	32-75-2041 Spindle Gear	(1)
	42	36-66-4002 Intermediate Shaft	(1)
	43	02-04-0820 Ball Bearing	(1)
	44	28-14-1920 Gear Case	(1)
	45	02-04-1536 Ball Bearing	(1)
	46	34-80-2500 Retaining Ring	(1)
	47	06-82-7453 8-16 x 2-1/4" Pan Hd. Plastite T-20	(2)
	48	06-42-1600 Woodruff Key	(1)
	49	38-50-5470 Spindle	(1)
	50	06-82-7354 8-16 x 1-3/8" Pan Hd. Plastite T-20	(1)
	51	48-66-1360 1/2" Chuck	(1)
	52	48-66-3280 Chuck Key	(1)
	53	06-75-3150 1/4-20 x 1 L.H. Skt. Hd. Cap Screw	(1)
	54	43-62-0875 Side Handle	(1)

**LUBRICATION:**

44 3-1/4 Oz. Type "A" Grease, No. 49-08-0800.

**MILWAUKEE ELECTRIC TOOL CORPORATION**  
13135 W. LISBON RD., BROOKFIELD, WI 53005



# SERVICE PARTS LIST

BULLETIN NO.

SPECIFY CATALOG NO. AND SERIAL NO. WHEN ORDERING PARTS		REVISED BULLETIN	DATE
<b>1/2" REVERSING DRILL</b>		WIRING INSTRUCTION	
CATALOG NO.	1101-1	<b>58-01-0224</b>	
STARTING SERIAL NO.			

EXAMPLE:  
Component Parts (Small #)  
Are Included When Ordering  
The Assembly (Large #).

00 0

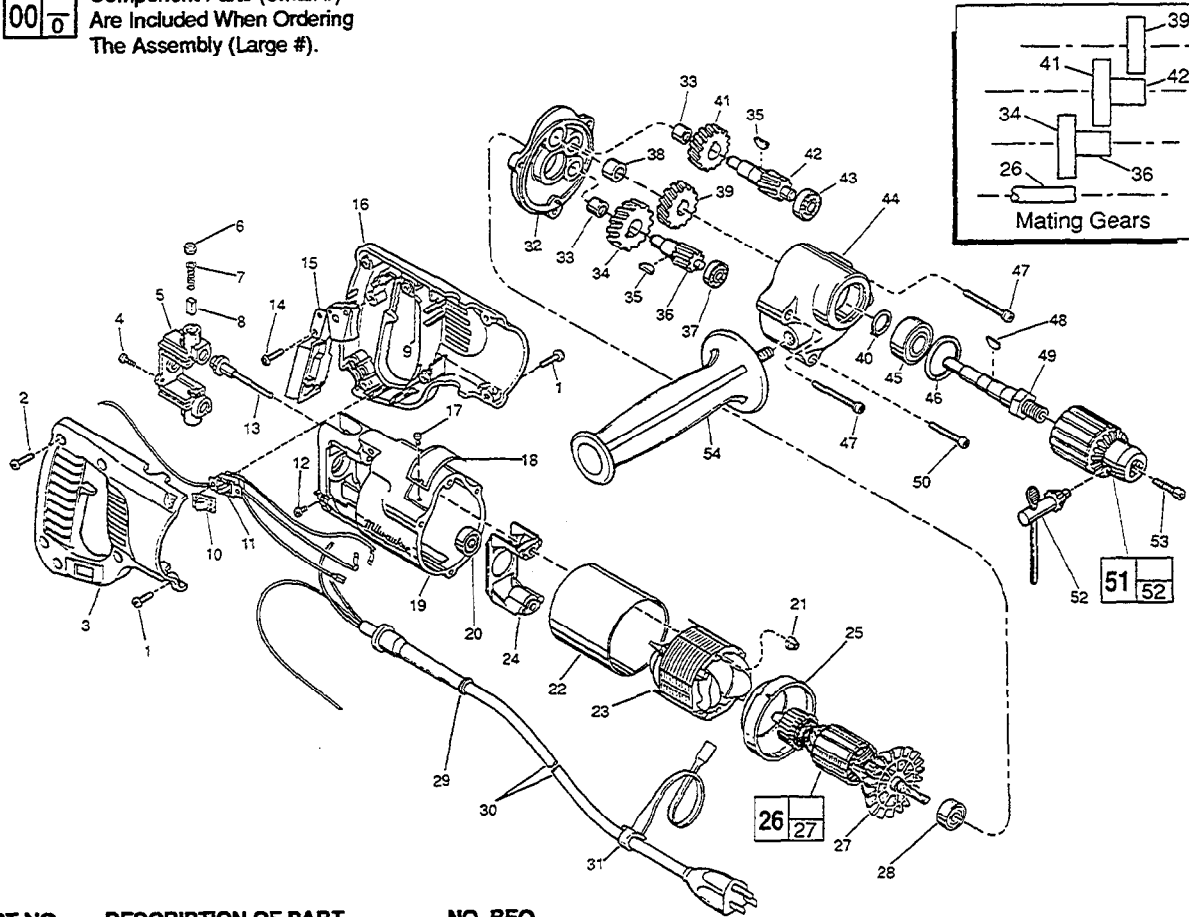


FIG.	PART NO.	DESCRIPTION OF PART	NO. REQ.
★	1	06-82-5316 8-32 x 1/2" Pan Hd. Slk. Taptite T-20	(4)
2	06-82-7270 8-16 x 5/8" Pan Hd. Plastite T-20	(5)	
3	31-44-1651 Right Handle Half	(1)	
★	4	06-95-0075 6-32 x 3/8" Truss Hd. Taptite T-10	(2)
5	22-22-1380 Brush Holder Assembly	(1)	
6	23-44-0190 Brush Retaining Cap	(2)	
7	23-52-0160 Brush Spring	(2)	
8	22-16-0275 Carbon Brush	(2)	
★	9	14-46-1001 Foam Pad Kit (10 Slugs)	(1)
10	31-12-0196 Switch Cap	(1)	
11	23-66-1869 Switch Assembly	(1)	
★	12	06-95-5150 6-32 x 1/4" Hex Hd. Taptite Sems	(1)
★	13	06-81-1060 8-32 x 2-1/4" Field Bolt	(2)
14	06-82-7270 8-16 x 5/8" Pan Hd. Plastite T-20	(1)	
15	23-66-0167 On-Off Switch	(1)	
16	31-44-1656 Left Handle Half	(1)	
17	06-72-1720 Nameplate Rivet	(2)	
18	12-99-1750 Service Nameplate	(1)	
★	19	28-50-6220 Motor Housing	(1)
20	02-04-0845 Ball Bearing	(1)	
★	21	06-57-2975 8-32 Flexlock Hex Nut	(1)
★	22	23-16-0456 Field Insulator	(1)
23	18-31-0200 120 V. Field	(1)	
★	24	31-55-0190 Coil Shield	(1)
25	31-05-0050 Baffle	(1)	
26	16-30-0325 120 V. Armature	(1)	
27	22-84-0531 Fan Assembly	(1)	
28	02-04-0911 Ball Bearing	(1)	
29	44-76-0210 Cord Protector	(1)	
30	22-64-3190 Cord Set	(1)	
31	48-66-4040 Key Holder	(1)	

FIG.	PART NO.	DESCRIPTION OF PART	NO. REQ.
32	28-28-0611 Diaphragm	(1)	
33	02-50-1640 Needle Bearing	(2)	
34	32-40-1241 Intermediate Gear	(1)	
35	06-42-0800 Woodruff Key	(2)	
36	36-66-2801 Intermediate Shaft	(1)	
37	02-04-0640 Ball Bearing	(1)	
38	02-50-2440 Needle Bearing	(1)	
39	32-75-2061 Spindle Gear	(1)	
40	34-60-1200 Retaining Ring	(1)	
41	32-75-2041 Spindle Gear	(1)	
42	36-66-4002 Intermediate Shaft	(1)	
43	02-04-0820 Ball Bearing	(1)	
44	28-14-1920 Gear Case	(1)	
45	02-04-1536 Ball Bearing	(1)	
46	34-80-2500 Retaining Ring	(1)	
★	47	06-82-5502 8-32 x 2-1/4" Pan Hd. Taptite T-20	(2)
48	06-42-1600 Woodruff Key	(1)	
49	38-50-5470 Spindle	(1)	
★	50	06-82-5404 8-32 x 1-3/8" Pan Hd. Taptite T-20	(1)
51	48-66-1360 1/2" Chuck	(1)	
52	48-66-3280 Chuck Key	(1)	
53	06-75-3150 1/4-20 x 1" L.H. Skt. Hd. Cap Screw	(1)	
54	43-62-0875 Side Handle	(1)	

LUBRICATION:  
44 3-1/4 Oz. Type "A" Grease, No. 49-08-0800.

MILWAUKEE ELECTRIC TOOL CORPORATION  
13135 W. LISBON RD., BROOKFIELD, WI 53005