

SERVICE PARTS LIST

BUL. 54-08-1162

1/2" DRILL

REVISED BUL.
54-08-1161

DATE
FEB '78

Catalog No. 1101

Starting
Serial No. **492-8081**

WIRING INSTRUCTIONS
58-01-0178

Specify Catalog and Serial No. when ordering parts

500 R.P.M.
4.5 AMPS

FOR CAT. NO. 1101-2
(240V) TOOL USE:
18-36-0200 FIELD
16-36-0305 ARMATURE
22-16-0255 CARBON BRUSH
22-64-4100 CORD SET

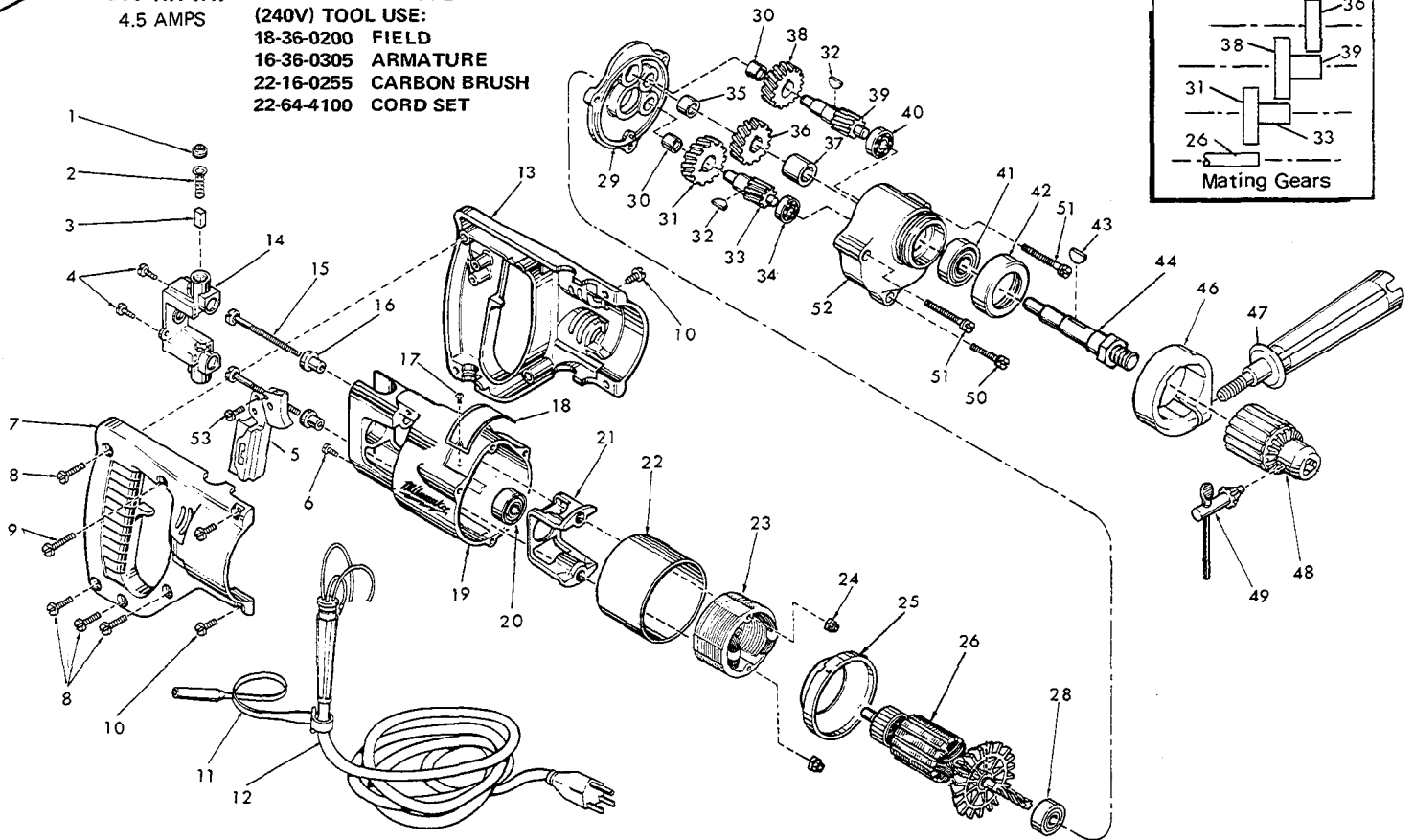
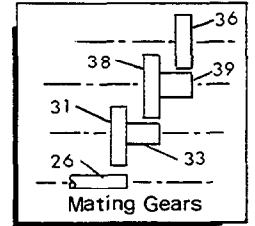


FIG.	PART NO.	DESCRIPTION OF PART	NO. REQ.	FIG.	PART NO.	DESCRIPTION OF PART	NO. REQ.
1	23-44-0120	Brush Retaining Screw	(2)	28	02-04-0940	Ball Bearing	(1)
2	23-52-0160	Brush Spring	(2)	29	28-28-0662	Diaphragm	(1)
3	22-16-0250	Carbon Brush	(2)	30	02-50-1640	Needle Bearing	(2)
4	06-81-5477	6-32x3/8 Phillips Pan Hd. Sem	(2)	31	32-40-1241	Intermediate Gear	(1)
5	23-66-0505	Switch	(1)	32	06-42-0800	Woodruff Key	(2)
6	06-81-8625	6-32x1/4 Ground Screw	(1)	33	36-66-2801	Intermediate Shaft	(1)
★ 7	31-44-0376	R.H. Half D Handle	(1)	34	02-04-0640	Ball Bearing	(1)
8	06-81-0402	8-32x3/4 Pan Hd. Screw	(4)	35	02-50-2110	Needle Bearing	(1)
9	06-81-0472	8-32x1 Pan Hd. Screw	(1)	36	32-75-2061	Spindle Gear	(1)
10	06-81-0047	8-32x1/2 Pan Hd. Screw	(4)	37	45-36-0210	Spindle Gear Spacer	(1)
11	48-66-4040	Key Holder	(1)	38	32-75-2041	Spindle Gear	(1)
12	22-64-0385	Cord Set	(1)	39	36-66-4001	Intermediate Shaft	(1)
13	31-44-0380	L.H. Half D Handle	(1)	40	02-04-0820	Ball Bearing	(1)
14	22-22-0300	Brush Holder Assembly	(1)	41	02-04-1560	Ball Bearing	(1)
★ 15	06-81-1055	8-32x2-3/16 Field Bolt	(2)	42	42-52-0071	Bearing Cap	(1)
16	31-86-0120	Insulating Spacer	(2)	43	06-42-1600	Woodruff Key	(1)
17	06-85-0200	6x1/4 Rd. Hd. Type Z Screw	(2)	44	38-50-3601	Spindle	(1)
18	12-99-0030	Nameplate	(1)	45	49-15-0200	Side Handle Assy. (Includes Nos. 46 & 47)	(1)
19	28-50-6147	Motor Housing	(1)	46	28-82-0130	Handle Ring	(1)
20	02-04-0891	Ball Bearing	(1)	47	43-62-0550	Side Handle	(1)
★ 21	31-55-0030	Coil Shield	(1)	48	48-66-1280	1/2" Chuck (Includes Fig. No. 49)	(1)
★ 22	23-16-0456	Field Insulator	(1)	49	48-66-3280	Chuck Key	(1)
★ 23	18-30-0200	120 V. Field	(1)	50	06-81-6402	8-32x1-1/8 Fil. Hd. Sem	(1)
24	06-57-2975	8-32 Flexlock Hex Nut	(2)	51	06-81-6707	8-32x1-7/8 Fil. Hd. Sem	(2)
25	31-05-0050	Baffle	(1)	52	28-14-1261	Gear Case	(1)
★ 26	16-30-0305	120 V. Armature	(1)	53	06-81-5502	8-32x3/8 Binding Hd. Sem	(2)
				54	12-98-7081	Caution Plate (Not Shown)	(1)