



SERVICE PARTS LIST

1/2" ELECTRIC DRILL

Catalog No. **1100-1**

Starting Serial No. **133-37742**

Both Model and Serial No. must be furnished to obtain correct parts.

BUL. 54-08-2126

REVISED BUL. 54-08-2125 DATE: Aug. '72

WIRING INSTR. 58-01-0211

450 R.P.M.

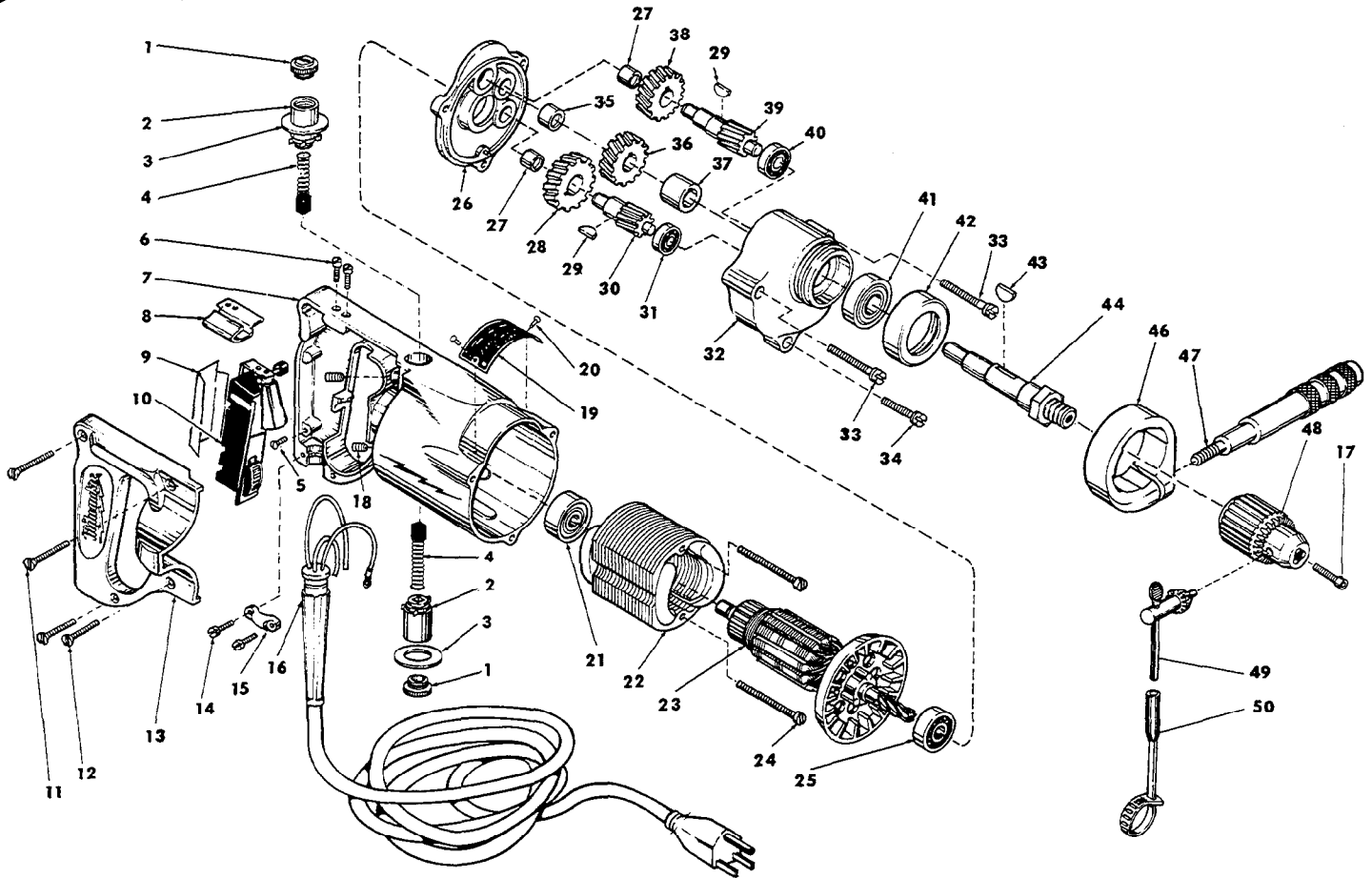


FIG.	PART NO.	DESCRIPTION OF PART	NO.REQ.	FIG.	PART NO.	DESCRIPTION OF PART	NO.REQ.
1	23-44-0060	Brush Retaining Screw	(2)	26	28-28-0661	Diaphragm	
2	22-22-0080	Brush Holder	(2)	27	02-50-1640	Needle Bearing	(2)
3	23-86-0110	Brush Holder Washer	(2)	28	32-40-1241	Intermediate Gear	
4	22-18-0100	Carbon Brush Assembly		29	06-42-0800	Woodruff Key	(2)
5	06-81-8625	6-32x 1/4 Ground Screw		30	36-66-2801	Intermediate Shaft	
6	06-81-5800	6-32x5/16 Fil.Hd.Sem	(2)	31	02-04-0640	Ball Bearing	
7	28-50-4488	Motor Housing (Includes Fig. Nos. 11, 12 and 13)		32	28-14-1261	Gear Case	
8	42-68-0225	Wire Clamp		33	06-81-6650	8-32x1-3/4 Fil. Hd. Sem	(2)
★ 9	23-16-0660	Switch Insulator		34	06-81-6350	8-32x1 Fil. Hd. Sem	
★ 10	23-66-0487	Switch		35	02-50-2110	Needle Bearing	
11	06-81-3750	8-32x1 Oval Hd. Screw	(2)	36	32-75-2061	Spindle Gear	
12	06-81-3700	8-32x7/8 Oval Hd. Screw	(2)	37	45-36-0210	Spindle Gear Spacer	
13	28-20-3601	Handle Cover		38	32-75-2041	Spindle Gear	
14	06-81-6150	8-32x1/2 Fil Hd. Sem	(2)	39	36-66-4001	Intermediate Shaft	
15	28-17-0400	Clamp Strap		40	02-04-0820	Ball Bearing	
16	22-64-0380	Cord Set		41	02-04-1560	Ball Bearing	
17	06-75-3150	1/4-20x1 Skt. Cap Screw		42	42-52-0071	Bearing Cap	
18	06-83-2650	1/4-20x3/8 Knrl. Set Screw	(2)	43	06-42-1600	Woodruff Key	
★ 19	12-99-0030	Nameplate		44	38-50-3651	Spindle	
★ 20	06-85-0200	6x1/4 Rd. Hd. Type Z Screw	(2)	★ 45	49-15-0200	Handle Assy. (Includes Fig. Nos. 46 & 47)	
21	02-04-0970	Ball Bearing		★ 46	28-82-0130	Handle Ring	
22	18-42-1141	115 Volt Field		47	43-62-0160	Side Handle	
23	16-42-1210	115 Volt Armature		48	48-66-1360	Chuck	
24	06-81-6600	8-32x1-3/4 Fil. Hd. Sem	(2)	49	48-66-3280	Chuck Key	
25	02-04-0940	Ball Bearing		50	48-66-4040	Key Holder	