



# SERVICE PARTS LIST

BUL. 54-08-210C

1/2" ELECTRIC DRILL

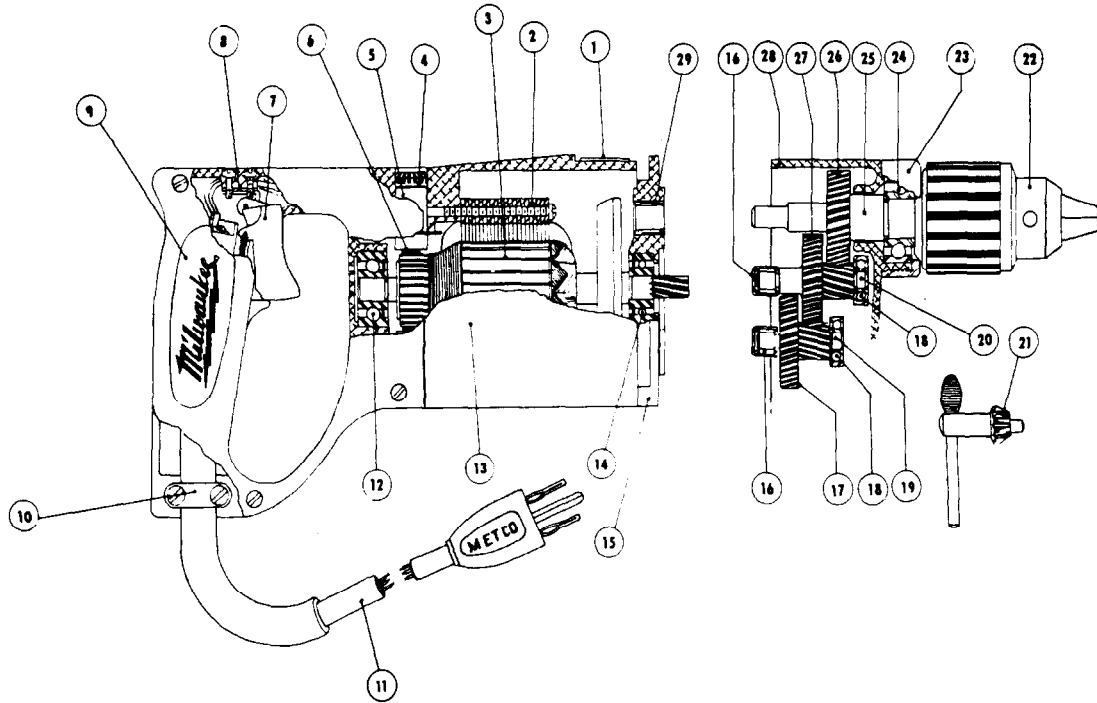
REVISED BUL 614 DATE FEB. '68

MODEL NO. S-412

Starting Serial No. 14-1001

WIRING INSTR.

Both Model and Serial No. must be furnished to obtain correct parts.



ILLUSTRATED PARTS

FIG.	PART NO.	DESCRIPTION OF PART	SEE NOTE	FIG.	PART NO.	DESCRIPTION OF PART	SEE NOTE
1	412-1	Name Plate		16	M-471	Needle Bearing (2)	
2	12D-700A	Field Assembly	A	17	12D-14A	Intermediate Gear	G
3	42S-600B	Armature Assembly	B	18	36	Ball Bearing	
4	44D-40	Brush Retaining Screw (2)		19	42S-131	Intermediate Pinion Shaft	
5	44D-320	Brush Holder Assembly (2)		20	43S-132	Intermediate Pinion Shaft	
6	44D-370	Carbon Brush Assembly (2)		21	32CK	Chuck Key	
7	8909K144	Switch		22	33B-12	Chuck (1/2-20 Thr'd 3-Jaw)	
8	4BF1-1	Switch Spacer	C	23	12D3-1	Bearing Cap	
9	4BF1-2	Handle Cover	CC	24	8502	Ball Bearing	
10	8B1-3	Cord Clamp Strap	D	25	42S-8	Spindle	H
11	18G-8SR1	Cord Set	E	26	43S-11	Spindle Gear	J
12	9009D	Ball Bearing		27	42S-11	Spindle Gear	
13	4BF-1	Motor Housing	F	28	22S-3	Gear Case	
14	8039	Ball Brg. (Pinion End)		29	MNB-31	Needle Bearing	
15	12S-2	Diaphragm					

MISCELLANEOUS PARTS NOT SHOWN

SIZE OR PART NO.	DESCRIPTION OF PART	SEE NOTE	SIZE OR PART NO.	DESCRIPTION OF PART	SEE NOTE
42S8-1	Spindle Gear Spacer		12D43-1A	Handle	
48D-28	Cord Protector Tube	L	12D43-300	Handle Ring	
4MS29-1	Cord Clamp Retainer	L	44D-34	Brush Holder Insul. Washer (2)	M
22SK-41	Air Intake Cover Plate	L	4BF-24	Switch Insulator	N
5SF-23	Switch Bracket	L	14S1-1	Name Plate Fibre Backing	L

REFERENCE NOTES

- A - Use Part 12D-700 below Serial No. 14-23001
- B - Use Part 42S-600 below Serial No. 14-23001
- C - Not used below Serial No. 14-23001
- D - Use Part 4MS-29 below Serial No. 14-23001
- E - Use Part S#18-3 below Serial No. 14-23001
- F - Use part 14SR-100D below Serial No. 14-23001
- G - Use Part 12D-14 below Serial No. 14-23001
- H - Use Part 12D-8 below Serial No. 14-2500
- J - Use Part 42S-11 below Serial No. 14-15862
- K - Not used below Serial No. 14-2500
- L - Use part below Serial No. 14-23001 only.
- M - Part 44D-34 not used Below Serial No. 14-2500
- N - Use Part 5SF-24 for Serial No. 14-2500 to 14-15862

Prices are subject to change without notice.