

10F900

Illustrated Parts List

Model Series

10F900

TYPE NUMBERS
0110 through 0113.

TABLE OF CONTENTS

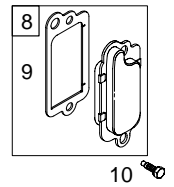
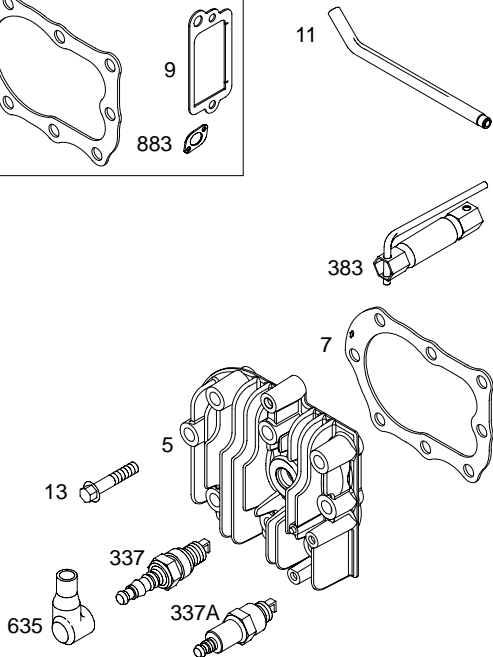
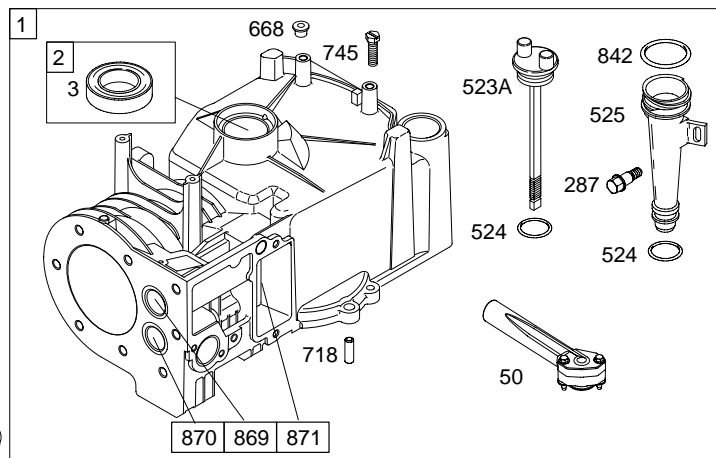
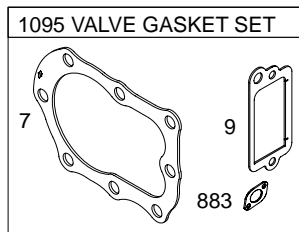
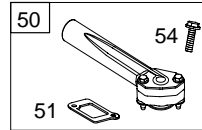
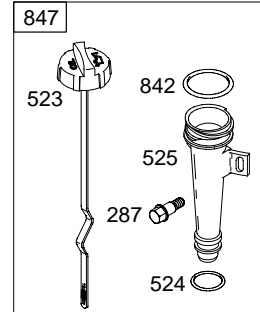
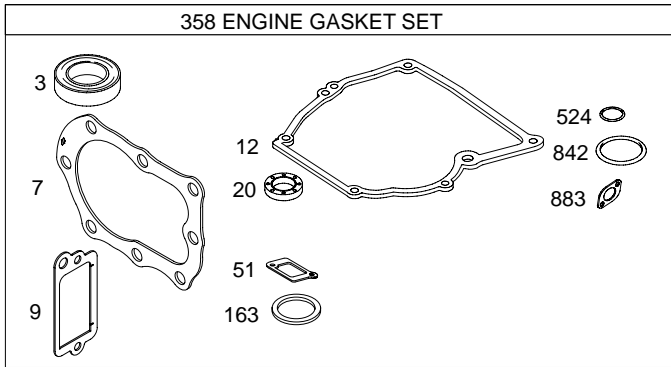
Air Cleaner	6
Blower Housing/Shrouds	7
Brakes	9
Cams	3
Carburetor	4
Controls	5
Crankcase Cover/Sump	3
Crankshaft	3
Cylinder	2
Flywheel	7
Fuel Tank	4
Governor Spring	5
Head	2
Ignition	5
Kits/Gaskets – Engine	2
Kits/Gaskets – Valve	2
Muffler	6
Oil Group	2
Piston Group	3
Rewind/Blower Housing	8
Valves	3



PRINTED IN U.S.A.

COPYRIGHT by BRIGGS & STRATTON CORPORATION
All rights reserved. No part of this material may be reproduced or transmitted, in any form or by any means, electronic or mechanical, including photocopying, recording or by any information storage and retrieval system, without permission in writing from Briggs & Stratton Corporation.

10F900

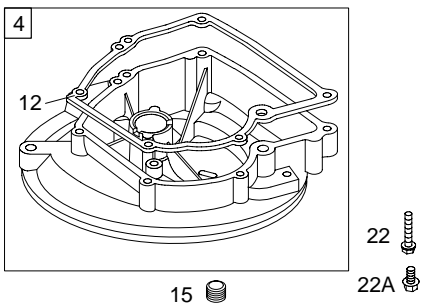
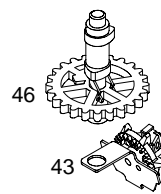
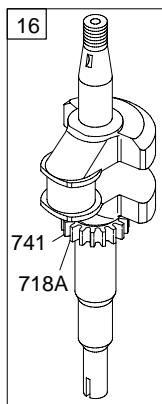
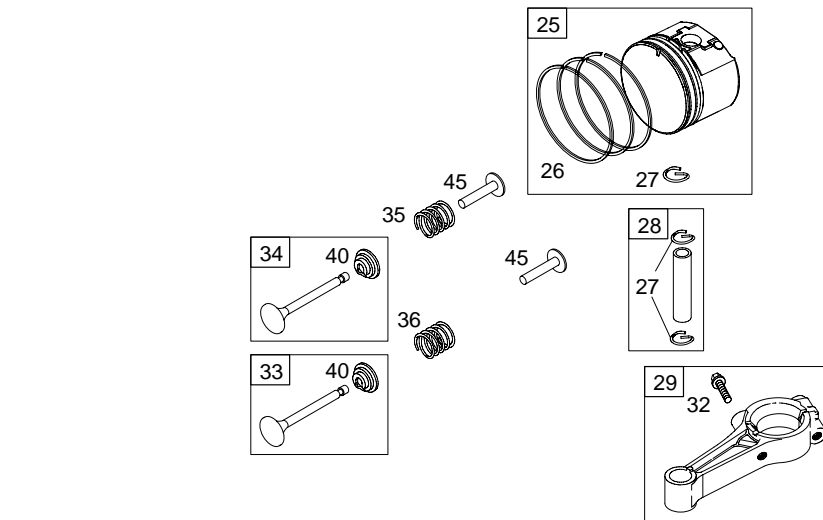


1019 LABEL KIT

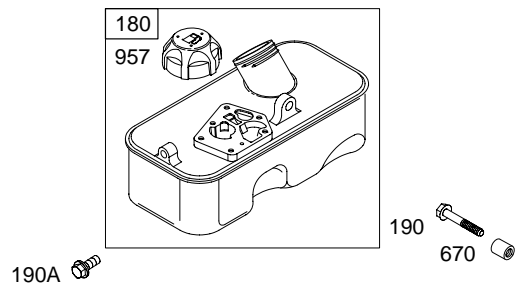
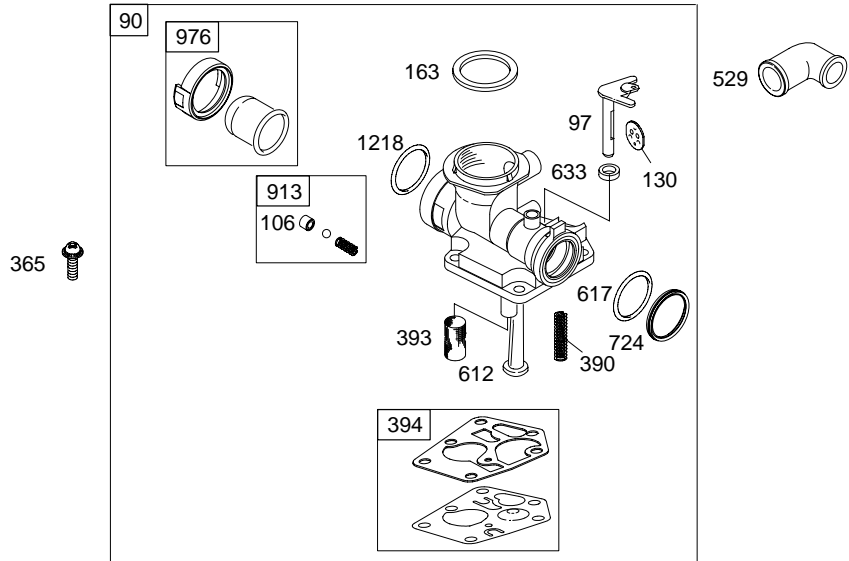
1058 OWNER'S MANUAL

1330 REPAIR MANUAL

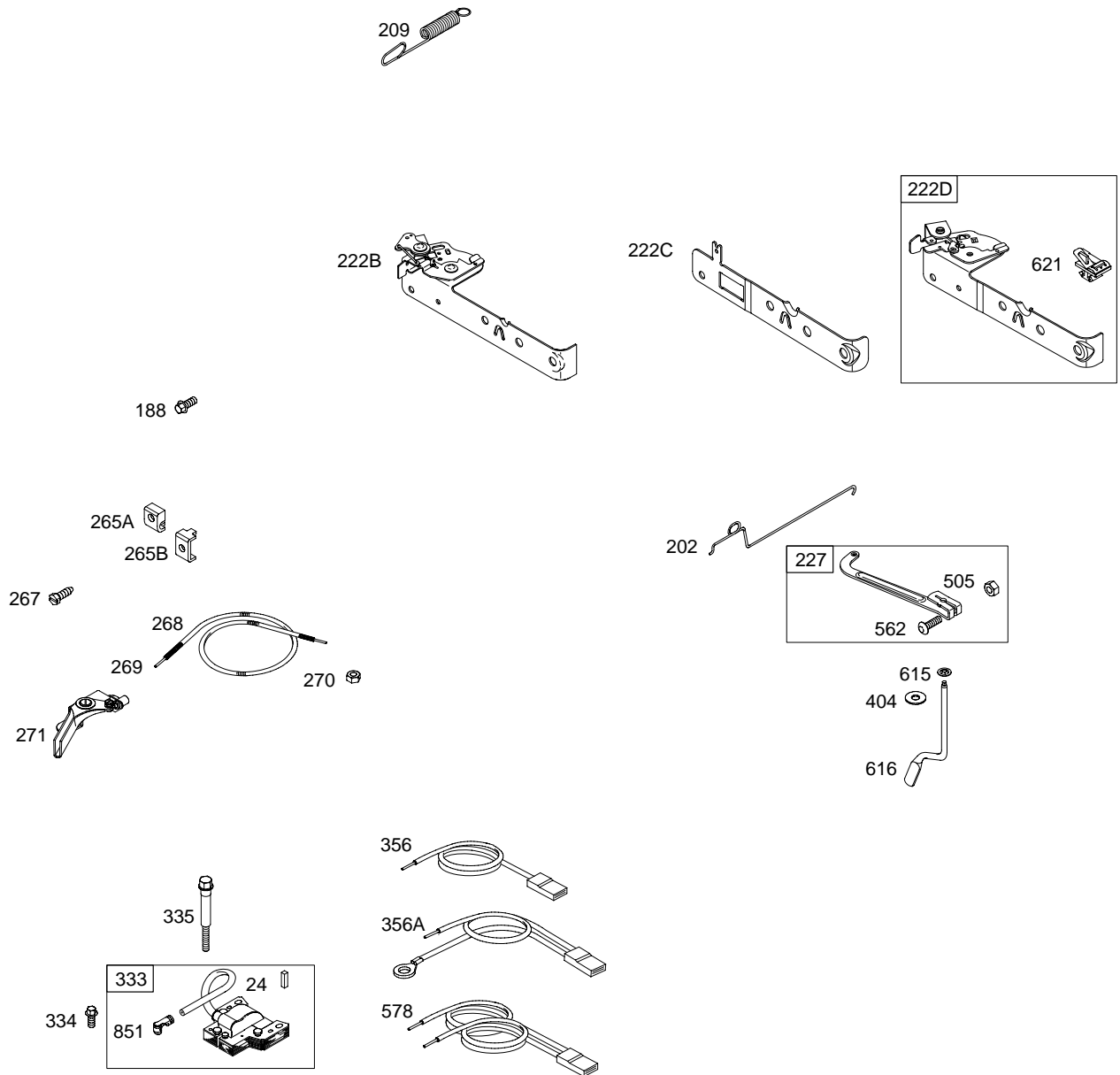
Illustrations cover a range of engines. Parts shown without corresponding text may not be used on your specific engine.



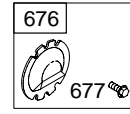
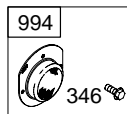
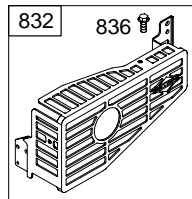
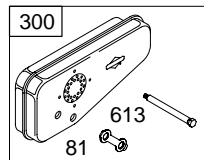
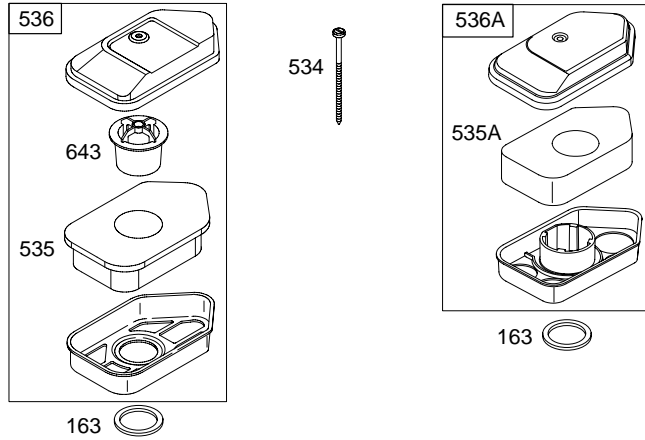
10F900

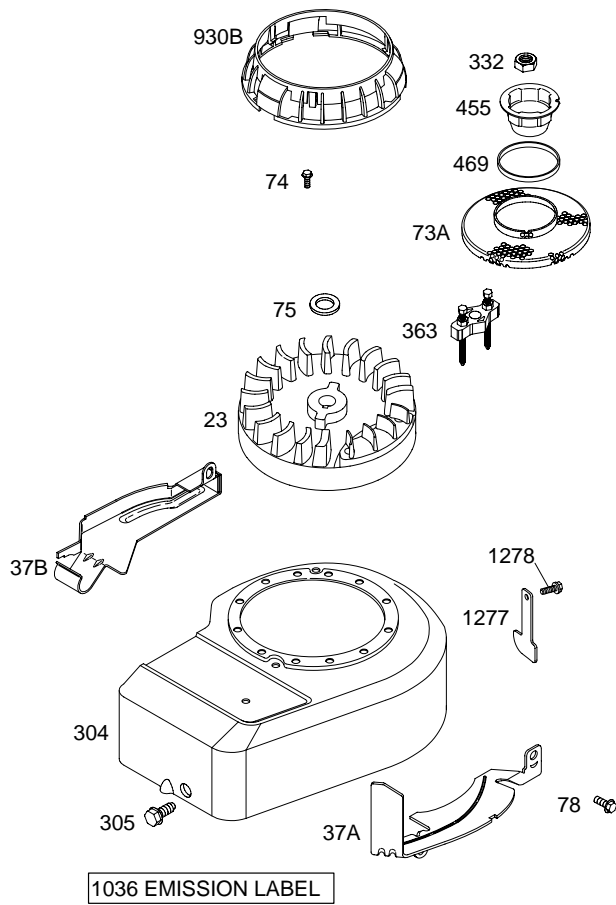
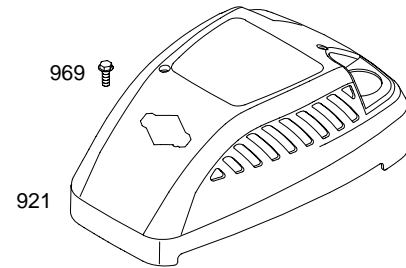


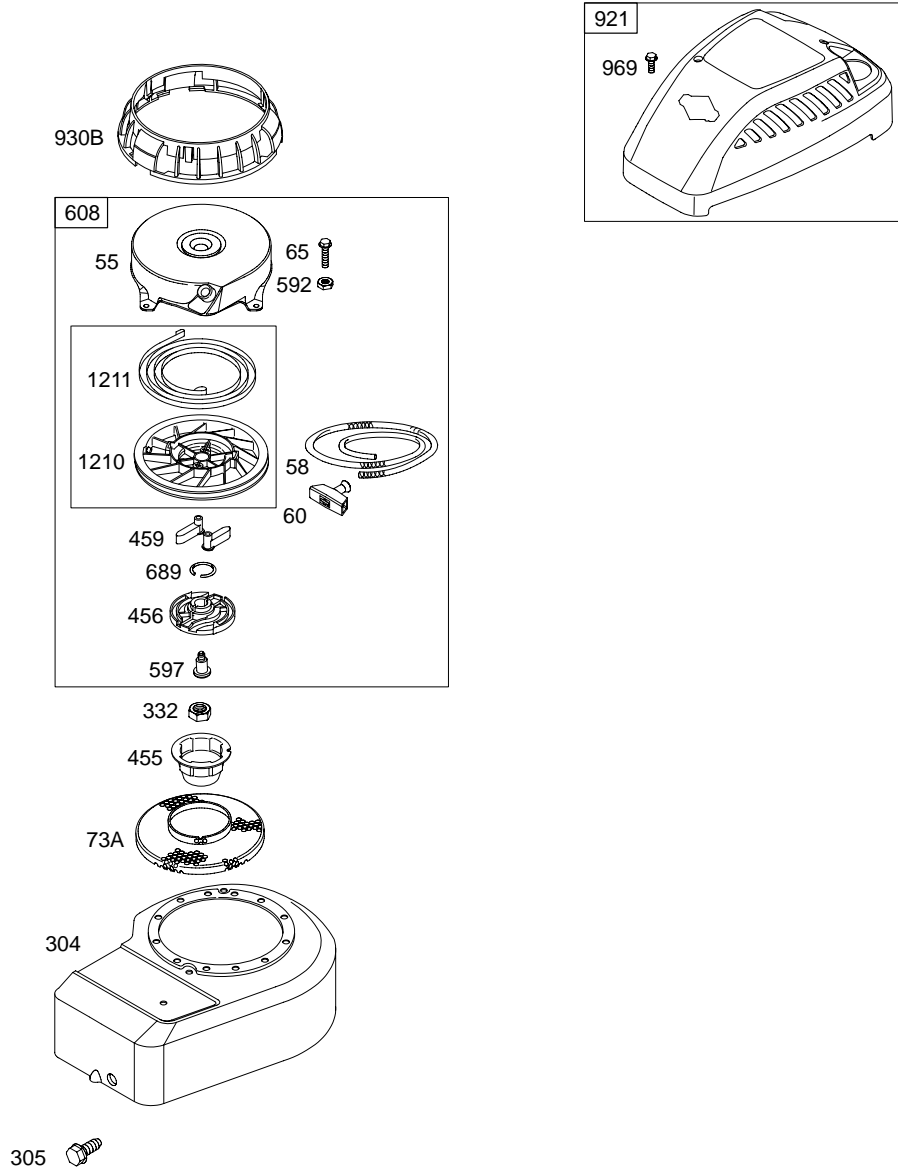
Illustrations cover a range of engines. Parts shown without corresponding text may not be used on your specific engine.
5649-4 Assemblies include all parts shown in frames. 05/20/2004

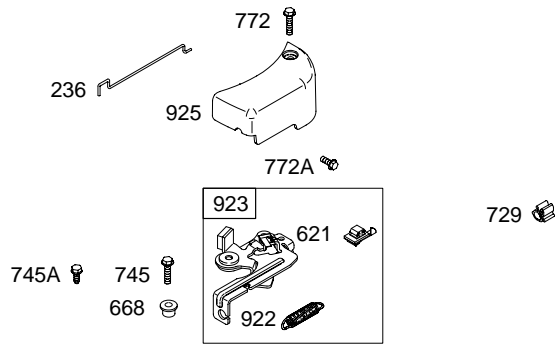


Illustrations cover a range of engines. Parts shown without corresponding text may not be used on your specific engine.
5649-5 Assemblies include all parts shown in frames. 05/20/2004









10F900

REF. NO.	PART NO.	DESCRIPTION	REF. NO.	PART NO.	DESCRIPTION	REF. NO.	PART NO.	DESCRIPTION
1	699650	Cylinder Assembly (Used After Code Date 03080300). ———— Note ———— 697401 Cylinder Assembly (Used Before Code Date 03080400).	12	★692218	Gasket—Crankcase (.015" Thick) (Standard) ———— Note ———— 270895 Gasket—Crankcase (.005" Thick) 270896 Gasket—Crankcase (.009" Thick)	25	699657	Piston Assembly (Standard) (Used After Code Date 03080300). ———— Note ———— 498668 Piston Assembly (Standard) (Used Before Code Date 03080400).
2	399269	Kit—Bushing/Seal (Magneto Side)	13	691640	Screw (Cylinder Head)			498670 Piston Assembly (.020" Oversize)
3	★299819	Seal—Oil (Magneto Side)	15	691680	Plug—Oil Drain (Flush)	26	699658	Ring Set (Standard) (Used After Code Date 03080300). ———— Note ———— 498680 Ring Set (Standard) (Used Before Code Date 03080400).
4	698691	Sump—Engine	16	691471	Crankshaft ———— Note ———— 691472 Crankshaft Used on Type No(s). 0113.			498682 Ring Set (.020" Oversize)
5	690386	Head—Cylinder	20	★391483	Seal—Oil (PTO Side)	27	691588	Lock—Piston Pin
7	★Δ698717	Gasket—Cylinder Head (Used After Code Date 04011800). ———— Note ———— 692288 Gasket—Cylinder Head (Used Before Code Date 04011900).	22	691662	Screw (Crankcase Cover/Sump)			
8	699640	Breather Assembly (Used After Code Date 03080300). ———— Note ———— 495785 Breather Assembly (Used Before Code Date 03080400).	22A	691108	Screw (Crankcase Cover/Sump)			
9	★Δ695890	Gasket—Breather	23	692009	Flywheel			
10	691666	Screw (Breather Assembly)	24	222698	Key—Flywheel			
11	691245	Tube—Breather						

★ Included in Engine Gasket Set—Ref. No.358.

● Included in Carburetor Overhaul Kit—Ref. No. 121.

◆ Included in Carburetor Gasket Set—Ref. No. 977.

Δ Included in Valve Gasket Set—Ref. No 1095.

Illustrations cover a range of engines. Parts shown without corresponding text may not be used on your specific engine.

REF. NO.	PART NO.	DESCRIPTION	REF. NO.	PART NO.	DESCRIPTION	REF. NO.	PART NO.	DESCRIPTION
28	699659	Pin-Piston (Standard) (Used After Code Date 03080300). ———— Note ———— 298909 Pin-Piston (Standard) (Used Before Code Date 03080400).	51	★699649	Gasket-Intake (Used After Code Date 03080300). ———— Note ———— 270345 Gasket-Intake (Used Before Code Date 03080400).	202	698835	Link-Mechanical Governor
29	699655	Rod-Connecting (Used After Code Date 03080300). ———— Note ———— 496792 Rod-Connecting (Used Before Code Date 03080400).	54	691111	Screw (Intake Manifold)	209	698726	Spring-Governor (Pink) Used on Type No(s). 0111, 0113. ———— Note ———— 790001 Spring-Governor (Yellow) Used on Type No(s). 0112.
32	691664	Screw (Connecting Rod)	55	692144	Housing-Rewind Starter			698726 Spring-Governor (Pink) (Used After Code Date 02091500). Used on Type No(s). 0110.
33	296676	Valve-Exhaust	58	697316	Rope-Starter (Cut To Required Length)			697801 Spring-Governor (Brown) (Used Before Code Date 02091600). Used on Type No(s). 0110.
34	296677	Valve-Intake	60	691915	Grip-Starter Rope			
35	690520	Spring-Valve (Intake)	65	690837	Screw (Rewind Starter)			
36	690520	Spring-Valve (Exhaust)	73A	699850	Screen-Rotating (Used After Code Date 03082400). ———— Note ———— 694018 Screen-Rotating (Used Before Code Date 03082500).			
37A	691209	Guard-Flywheel (Muffler Side)	74	691627	Screw (Rotating Screen)	222B	697410	Bracket-Control Used on Type No(s). 0113.
37B	697403	Guard-Flywheel (Carburetor Side)	75	691736	Washer (Flywheel)	222C	698725	Bracket-Control Used on Type No(s). 0111.
40	692194	Retainer-Valve	78	692198	Screw (Flywheel Guard)	222D	699577	Bracket-Control Used on Type No(s). 0110.
43	697799	Slinger-Governor/Oil	81	691179	Lock-Muffler Screw			
45	691762	Tappet-Valve	90	697415	Carburetor			
46	691998	Camshaft	97	697414	Shaft-Throttle			
50	699644	Manifold-Intake (Used After Code Date 03080300). ———— Note ———— 693446 Manifold-Intake (Used Before Code Date 03080400).	106	691901	Seat-Inlet	227	697402	Lever-Governor Control
			130	691190	Valve-Throttle	236	691867	Link-Lockout
			163	★271139	Gasket-Air Cleaner	265A	690798	Clamp-Casing Used on Type No(s). 0113.
			180	494406	Tank-Fuel (Metal)	265B	691024	Clamp-Casing (Steel With Tab)
			188	692198	Screw (Control Bracket)	267	691044	Screw (Casing Clamp)
			190	691640	Screw (Fuel Tank)			
			190A	692198	Screw (Fuel Tank)			

★ Included in Engine Gasket Set-Ref. No.358.

● Included in Carburetor Overhaul Kit-Ref. No. 121.

◆ Included in Carburetor Gasket Set-Ref. No. 977.

△ Included in Valve Gasket Set-Ref. No 1095.

Illustrations cover a range of engines. Parts shown without corresponding text may not be used on your specific engine.

10F900

REF. NO.	PART NO.	DESCRIPTION	REF. NO.	PART NO.	DESCRIPTION	REF. NO.	PART NO.	DESCRIPTION
268	691072	Casing—Control Wire (Cut To Required Length)	356	692390	Wire—Stop	562	92613	Bolt (Governor Control Lever)
269	691589	Wire—Control (Cut To Required Length)	356A	398808	Wire—Stop	578	398153	Wire Assembly
270	691027	Nut (Control Wire Casing)	358	699933	Gasket Set—Engine	592	690800	Nut (Rewind Starter)
271	691028	Lever—Control	363	19069	Puller—Flywheel	597	691696	Screw (Pawl Friction Plate)
287	691002	Screw (Dipstick Tube)	365	692200	Screw (Carburetor)	608	499706	Starter—Rewind
300	692307	Muffler (Super Lo Tone)	377	692193	Key—Woodruff	612	496046	Tube—Pick Up
304	698046	Housing—Blower (Compliance Engines)	383	89838	Wrench—Spark Plug	613	691413	Screw (Muffler) (Super Lo Tone)
		Note	390	691839	Spring—Choke Diaphragm	615	690340	Retainer—Governor Shaft
		692536 Housing— Blower (Non Compliance Engines)	393	691837	Screen—Carburetor	616	697405	Crank—Governor
		697411 Housing— Blower Used on Type No(s). 0113.	394	495770	Diaphragm—Carburetor	617	270344	Seal—O Ring (Intake Manifold)
305	692198	Screw (Blower Housing)	404	690272	Washer (Governor Crank)	621	692310	Switch—Stop
306	690400	Shield—Cylinder	455	691236	Cup—Flywheel	633	691321	Seal—Choke/Throttle Shaft
307	690345	Screw (Cylinder Shield)	456	692299	Plate—Pawl Friction	635	66538	Boot—Spark Plug
332	690662	Nut (Flywheel)	459	281505	Pawl—Ratchet	643	691911	Retainer—Air Filter
333	496914	Armature—Magneto	469	694420	Ring—Rotating Trim (Used Before Code Date 03082500).	668	692889	Spacer
334	691061	Screw (Magneto Armature)	505	691251	Nut (Governor Control Lever)	670	691633	Spacer—Fuel Tank (Compliance Engines)
335	691107	Screw (Magneto Armature With Air Vane)	523	692040	Dipstick	676	393756	Deflector—Muffler
337	802592	Plug—Spark Used on Type No(s). 0112, 0113.	523A	691913	Dipstick	677	690661	Screw (Muffler Deflector)
337A	697451	Plug—Spark	524	★692296	Seal—Dipstick Tube	689	691855	Spring—Friction (Ratchet Pawl)
346	690661	Screw (Spark Arrestor)	525	691320	Tube—Dipstick	718	690959	Pin—Locating (Cylinder)
			529	692189	Grommet (Breather)	718A	499047	Pin—Locating (Crankshaft)
			534	691417	Screw (Air Cleaner)	724	697478	Retainer—Seal
			535	272235	Filter—Air Cleaner Foam	729	690586	Clip—Wire
			535A	698369	Filter—Air Cleaner Foam	741	691805	Gear—Timing
			536	493492	Cleaner—Air (Metal) (Used Before Code Date 02101100).	745	691146	Screw (Brake)
			536A	698472	Cleaner—Air (Plastic) (Used After Code Date 02101000).	745A	690859	Screw (Brake)

★ Included in Engine Gasket Set—Ref. No. 358.

● Included in Carburetor Overhaul Kit—Ref. No. 121.

◆ Included in Carburetor Gasket Set—Ref. No. 977.

△ Included in Valve Gasket Set—Ref. No. 1095.

Illustrations cover a range of engines. Parts shown without corresponding text may not be used on your specific engine.

REF. NO.	PART NO.	DESCRIPTION	REF. NO.	PART NO.	DESCRIPTION	REF. NO.	PART NO.	DESCRIPTION			
772	691111	Screw (Linkage Cover)	871	699643	Bushing-Valve Guide (Exhaust Valve) (Used After Code Date 03080300).	976	694394	Primer-Carburetor			
772A	690345	Screw (Linkage Cover)			Note	994	398067	Arrestor-Spark			
832	494896	Guard-Muffler (Super Lo Tone)			231348		697428	Kit-Label			
836	690664	Screw (Muffler Guard)					699930	Label-Emissions (Used After Code Date 03080300).			
842	★691870	Seal-O Ring (Dipstick Tube)						Note			
847	691440	Dipstick/Tube Assembly			63709			695108	Label-Emissions (Used Before Code Date 03080400).		
851	493880	Terminal-Spark Plug					1058	275508	Operator's Manual		
869	699641	Seat-Valve (Intake) (Used After Code Date 03080300).	883	★△691880	Gasket-Exhaust		1095	498526	Gasket Set-Valve		
		Note	913	494409	Seat-Check Valve		1210	499901	Pulley/Spring Assembly (Pulley)		
		691701	921	694044	Cover-Blower Housing				1211	499901	Pulley/Spring Assembly (Spring)
		691701	922	692135	Spring-Brake				1218	695866	Seal-O Ring (Carburetor)
		691701	923	691487	Brake				1277	698718	Guard-Governor Nut
		691701	925	691349	Cover-Linkage				1278	691002	Screw (Governor Guard Nut)
		691701	930B	691348	Guard-Rewind				1330	270962	Repair Manual
		691701	957	497929	Cap-Fuel Tank (Plastic)						
870	699642	Seat-Valve (Exhaust) (Used After Code Date 03080300).	969	692198	Screw (Blower Housing Cover)						
		Note									
		691702									
		691702									
		691702									

★ Included in Engine Gasket Set-Ref. No.358.

● Included in Carburetor Overhaul Kit-Ref. No. 121.

◆ Included in Carburetor Gasket Set-Ref. No. 977.

△ Included in Valve Gasket Set-Ref. No 1095.

Illustrations cover a range of engines. Parts shown without corresponding text may not be used on your specific engine.