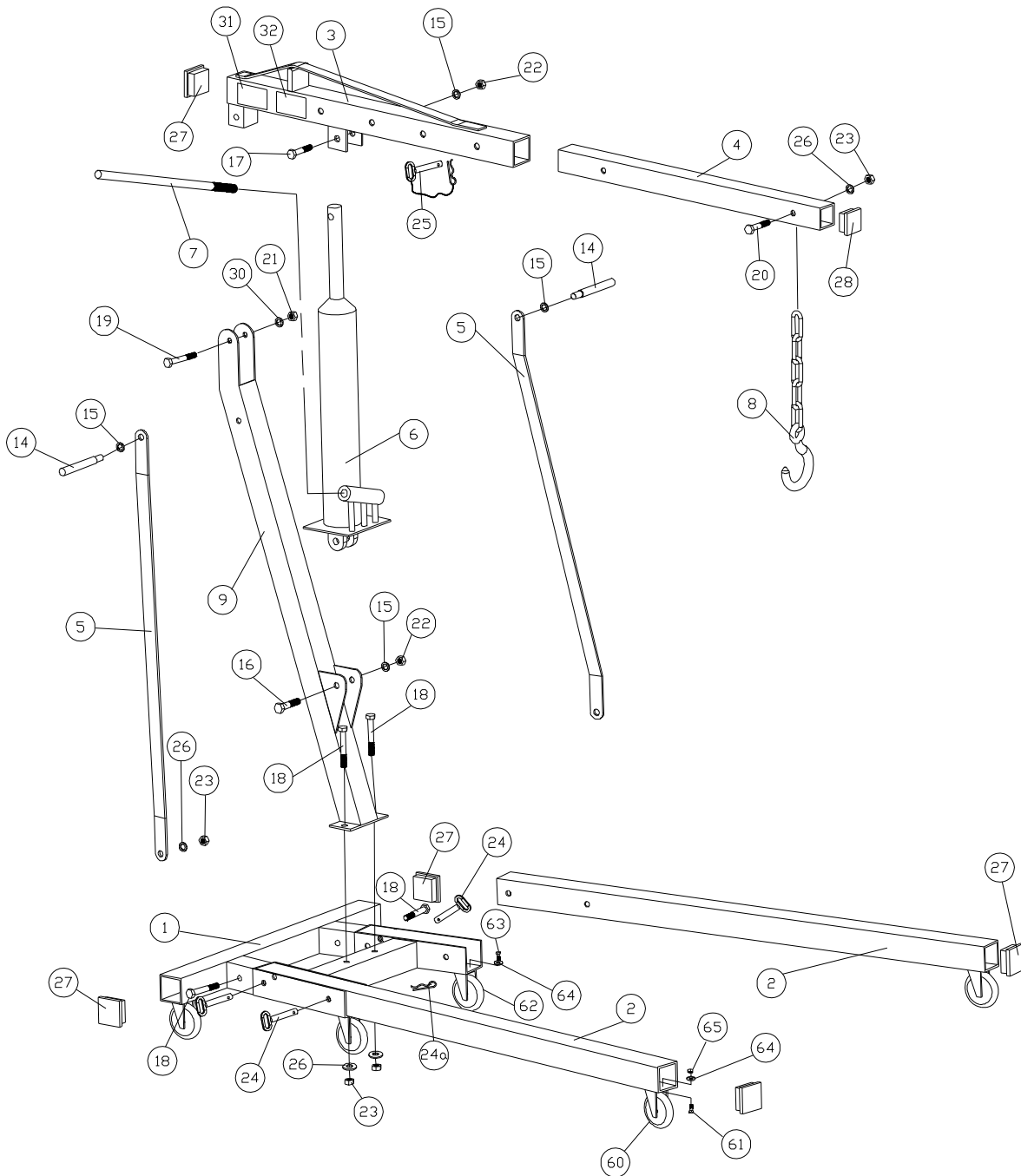


Parts

Ordering Replacement Parts

To order parts or reach our service department, call 1-800-274-6848 Monday through Friday (see our website for business hours, www.walteremeier.com). Having the Model Number and Serial Number of your machine available when you call will allow us to serve you quickly and accurately.

Hydraulic Crane Assembly



Hydraulic Crane Parts List

Index No.	Part No.	Description	Size	Qty
1	JFHC200C-1	Frame Base		1
2	JFHC200C-2	Front Leg		2
3	JFHC200C-3	Boom		1
4	JFHC200C-4	Boom Extension		1
5	JFHC200C-5	Support Strap		2
6	JFHC200X-6	Hydraulic Ram Assembly		1
7	JFHC200C-7	Pump Handle		1
8	JFHC200C-8	Hook & Chain Assembly		1
9	JFHC200C-9	Main Support Post		1
14	JFHC200X-14	Steer Handle		2
15	TS-155010	Flat Washer	M16	4
16	TS-149B15	Hex Cap Screw	M16x90	1
17	TS-149B12	Hex Cap Screw	M16x75	1
18	TS-149A15	Hex Cap Screw	M14x100	4
19	TS-149C18	Hex Cap Screw	M20x120	1
20	TS-149A12	Hex Cap Screw	M14x75	1
21	TS-1540121	Nut	M20	1
22	TS-1540101	Nut	M16	2
23	TS-154009	Nut	M14	5
24	JFHC200C-24	Hitch Pin		4
24a	JFHC200C-24a	Hitch Pin Clip		4
25	JFHC200X-25	Boom Hitch Pin w/Hitch Pin Clip		1
26	TS-155009	Flat Washer	M14	5
27	JHC200C-25	Plastic End Cap	2-3/4"	5
28	JHC200C-25A	Plastic End Cap (boom extension)	2-1/4"	1
30	TS-155011	Flat Washer	M20	1
31	JFHC200X-ID	I.D. Label		1
32	JFHC200X-WL	Warning Label		1
60	JFHC200C-60	Front & Back Caster	3-1/2"	4
61	TS-1490021	Cap Screw	M8x16	16
62	JFHC200C-62	Mid Caster	2-3/4"	2
63	TS-1490011	Cap Screw	M8x12	8
64	TS-1551061	Lock Washer	M8	24
65	TS-1540061	Hex Nut	M8	16

Hydraulic Ram Parts List

Index No.	Part No.	Description	Size	Qty
.....	JFHC200X-6	Hydraulic Ram Assembly.....		1
30	JFHC200X-30	Valve Body.....		1
31	JFHC200X-31	Copper Washer *	M46	1
32	JFHC200X-32	Cylinder.....		1
33	JFHC200X-33	O-ring *	M40x5.5	1
34	JFHC200X-34	O-ring Retainer *	M31.3x3.55	1
35	JFHC200X-35	Ram		1
36	JFHC200X-36	Top Nut	M48	1
37	JFHC200X-37	O-ring *	M33.5x3.55	1
38	JFHC200X-38	Gasket *	M70x1	1
39	JFHC200X-39	Oil Chamber.....		1
40	JFHC200X-40	Oil Plug *	M15x9.5	1
41	JFHC200X-41	Seal Ring *	M81x4	1
42	JFHC200X-42	Tube.....		1
43	SB-6MM	Steel Ball.....	M6	1
44	JFHC200X-44	Seal Ring *	M88x6	1
45	JFHC200X-45	Release Valve.....		1
46	SB-6MM	Steel Ball.....	M6	2
47	JFHC200X-47	Copper Washer *	M18	2
48	JFHC200X-48	Pump Cylinder		2
49	JFHC200X-49	O-ring *	M66x3	2
50	JFHC200X-50	Back-up Ring *	M12x7	2
51	JFHC200X-51	Plunger (<i>s/n 12020001 and higher</i>)		2
.....	JFHC200X-51A	Plunger (<i>previous to s/n 12020001</i>).....		1
52	JFHC200X-52	Link Pin.....		1
53	JFHC200X-53	Handle Socket		1
54	JFHC200X-54	Connecting Pin		3
55	JFHC200X-55	Cotter Pin.....		3
56	JFHC200X-56	Pin.....	M2x30	1
57	JFHC200X-57	Bolt.....	M14x45	1
.....	JFHC200X-RK	Ram Repair Kit (includes items with asterisk *).....		1

