

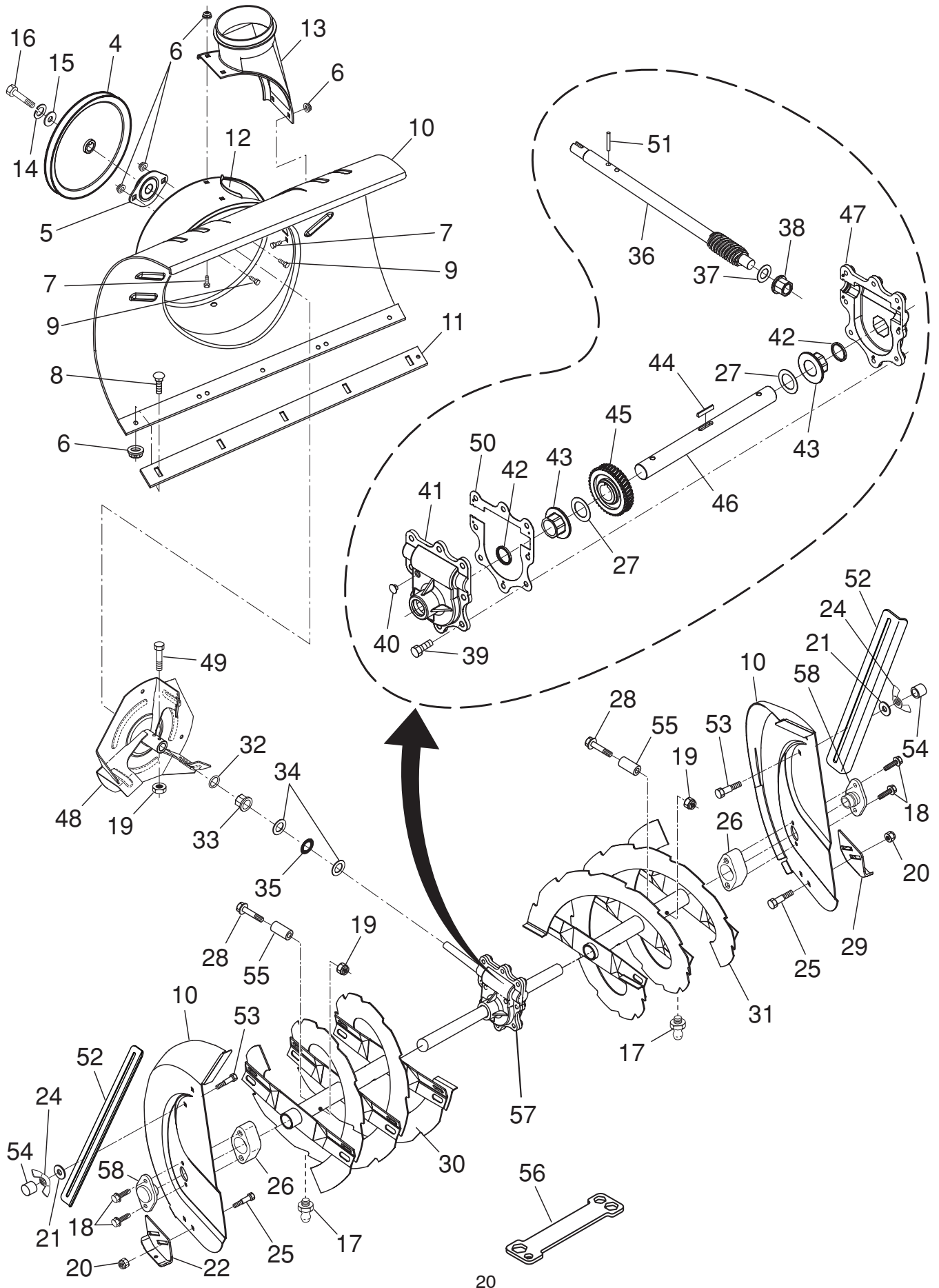
10527SBE

Illustrated Parts List / 96193001606

REPAIR PARTS

AUGER HOUSING / IMPELLER ASSEMBLY

SNOW THROWER - MODEL NO. 10527SBE (96193001606), PRODUCT NO. 961 93 00-16



REPAIR PARTS**AUGER HOUSING / IMPELLER ASSEMBLY****SNOW THROWER - MODEL NO. 10527SBE (96193001606), PRODUCT NO. 961 93 00-16**

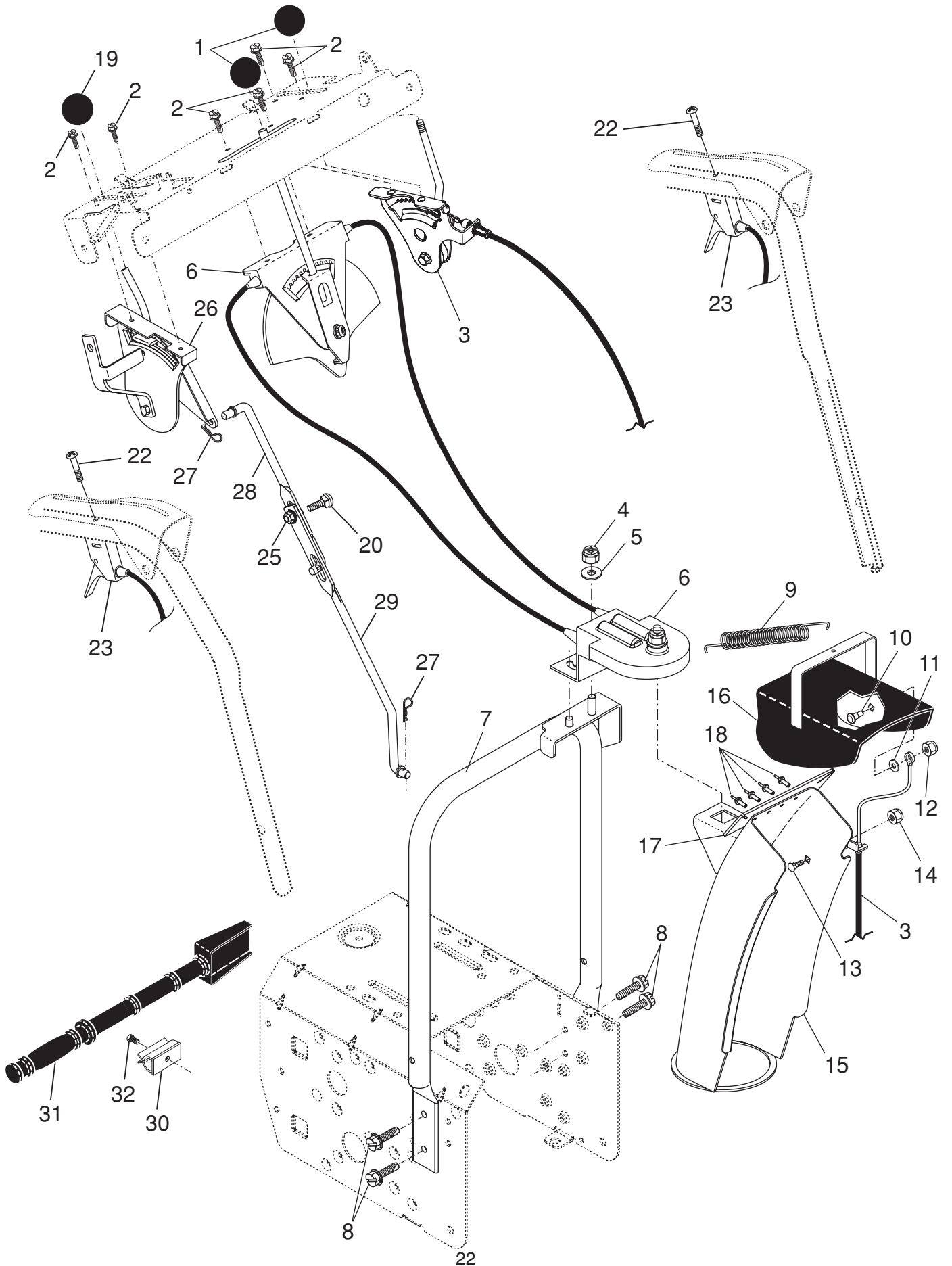
KEY PART NO. NO.	DESCRIPTION	KEY PART NO. NO.	DESCRIPTION
4 532 19 10-79	Pulley, Impeller	32 532 40 77-68	O-Ring
5 532 18 89-09	Bearing Assembly, Flange	33 532 40 77-69	Bushing, Flange 3/4
6 532 15 53-77	Nut, Hex Flange 5/16-18	34 532 17 46-81	Washer, Thrust 3/4
7 532 18 03-55	Bolt, Flat Head, Carriage 5/16-18 x 5/8	35 532 17 46-84	Bearing, Thrust 3/4
8 872 27 05-05	Bolt, Carriage 5/16-1 8 x 5/8	36 532 40 77-57	Shaft, Impeller
9 532 16 31-83	Bolt	37 532 17 46-83	Washer, Thrust 5/8
10 532 40 77-39	Housing, Auger	38 532 40 77-58	Bushing, Flange 5/8
11 532 40 77-27	Bar, Scraper	39 532 40 77-67	Screw, Hex Washer Head 5/16-18 x 3/4
12 532 18 40-95	Bracket, Corner Discharge	40 532 40 77-60	Plug, Case
13 532 17 53-22	Base, Discharge Chute	41 532 40 77-61	Housing, Gearbox, RH
14 810 04 05-00	Washer, Lock 5/16	42 532 40 77-70	Seal, Oil
15 819 11 15-07	Washer, Flat	43 532 40 77-62	Bushing, Flange, 1"
16 874 94 05-16	Screw, Hex Head 5/16-18 x 3/4	44 532 18 92-82	Key, Square 1/4 x 1/4 x 7/8
17 532 40 56-37	Grease Fitting	45 532 40 77-63	Gear, Worm
18 532 17 95-82	Screw, Hex Head 5/16 x 1	46 532 40 77-64	Shaft, Auger
19 873 80 04-00	Nut, Hex Lock 1/4-20	47 532 40 77-65	Housing, Gearbox, LH
20 532 15 53-77	Nut, Hex Lock 5/16-18	48 532 18 41-05	Impeller Assembly
21 532 40 13-47	Washer, Flat 5/16	49 874 78 04-26	Screw, Hex Head 1/4-20 x 1-5/8
22 532 40 78-34	Skid Plate, Heavy Duty LH	50 532 40 77-66	Gasket, Gearbox
24 532 12 86-38	Wing Nut	51 532 18 42-05	Pin, Roll 3/16 x 1-1/8
25 872 27 05-06	Bolt, Shoulder 1/4-20	52 532 18 47-47	Bar, Drift
26 532 18 81-70	Plastic Retainer	53 872 27 05-06	Bolt, Hex Head
27 532 17 46-97	Washer, Thrust, 1"	54 532 19 87-09	Stop
28 532 19 86-36	Bolt, Shear	55 532 19 86-38	Spacer
29 532 40 78-34	Skid Plate, Heavy Duty RH	56 532 18 06-84	Multi-Wrench
30 532 40 78-95	Auger Assembly, RH	57 532 19 67-10	Gearbox Assembly
31 532 40 78-96	Auger Assembly, LH	58 532 18 79-25	Bearing

NOTE: All component dimensions given in U.S. inches. 1 inch = 25.4 mm**IMPORTANT:** Use only Original Equipment Manufacturer (O.E.M.) replacement parts.
Failure to do so could be hazardous, damage your snow thrower and void your warranty.

REPAIR PARTS

CONTROL PANEL / DISCHARGE CHUTE

SNOW THROWER - MODEL NO. 10527SBE (96193001606), PRODUCT NO. 961 93 00-16



REPAIR PARTS

CONTROL PANEL / DISCHARGE CHUTE

SNOW THROWER - MODEL NO. **10527SBE** (96193001606), PRODUCT NO. 961 93 00-16

KEY NO.	PART NO.	DESCRIPTION
1	532 41 42-80	Knob, Lever
2	817 50 10-10	Screw #10-24 x 5/8
3	532 19 84-75	Control Assembly, Deflector
4	873 80 06-00	Nut, Lock 3/8-16
5	819 13 13-16	Washer, Flat 3/8
6	532 40 49-74	Control Assembly, Chute Rotater
7	532 40 76-43	Support, Pivot
8	532 15 00-78	Screw, Hex Head 5/16-18 x 3/4
9	532 18 45-05	Spring, Deflector
10	532 17 98-29	Bolt, Shoulder
11	532 17 92-46	Washer, Friction, Nylon
12	532 19 17-30	Nut, Lock 1/4-20
13	872 25 05-05	Bolt, Carriage 5/16-18
14	532 75 11-53	Nut, Lock 5/16-18
15	532 40 76-50	Chute Assembly
16	532 18 41-13	Deflector Assembly
17	532 17 91-45	Seal, Deflector
18	532 12 84-15	Rivet, Blind
19	532 41 42-81	Knob, Speed Control Lever
20	872 27 05-06	Bolt, Carriage 5/16-18 x 3/4
22	874 04 10-24	Screw #10-24 x 1-1/2
23	532 19 24-49	Control Assembly, Power Steering
25	532 15 53-77	Nut, Lock 5/16-18
26	532 19 84-74	Lever Assembly, Speed Control
27	532 16 96-75	Retainer, Hairpin
28	532 18 04-45	Rod, Upper, Speed Control
29	532 18 77-16	Rod, Lower, Speed Control
30	532 40 54-00	Clamp, Clean-Out Tool
31	532 19 21-99	Tool, Clean-Out
32	532 19 41-89	Screw HI-LO 13-16 x 5/8

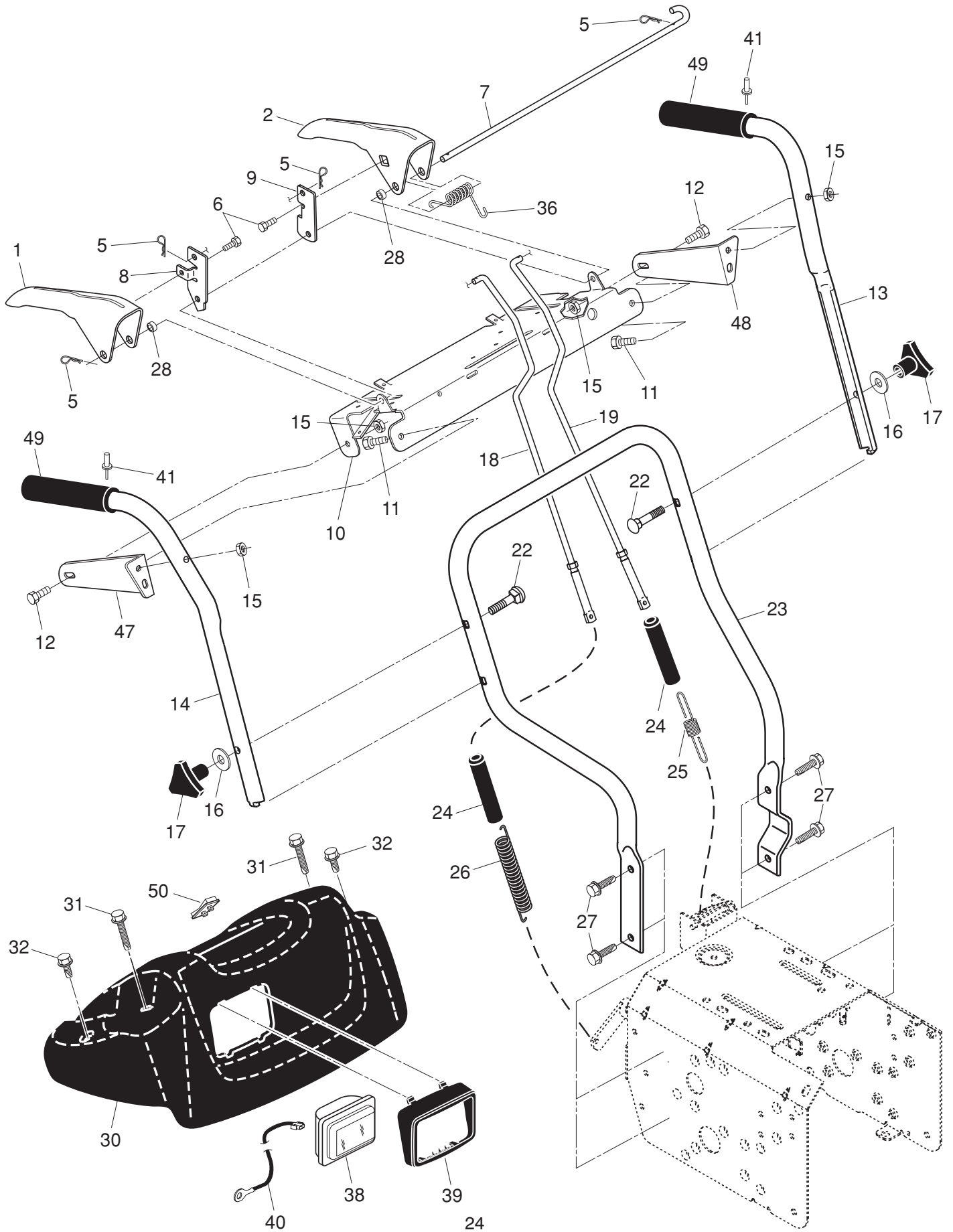
NOTE: All component dimensions given in U.S. inches. 1 inch = 25.4 mm

IMPORTANT: Use only Original Equipment Manufacturer (O.E.M.) replacement parts. Failure to do so could be hazardous, damage your snow thrower and void your warranty.

REPAIR PARTS

HANDLES

SNOW THROWER - MODEL NO. 10527SBE (96193001606), PRODUCT NO. 961 93 00-16



REPAIR PARTS**HANDLES****SNOW THROWER - MODEL NO. 10527SBE (96193001606), PRODUCT NO. 961 93 00-16**

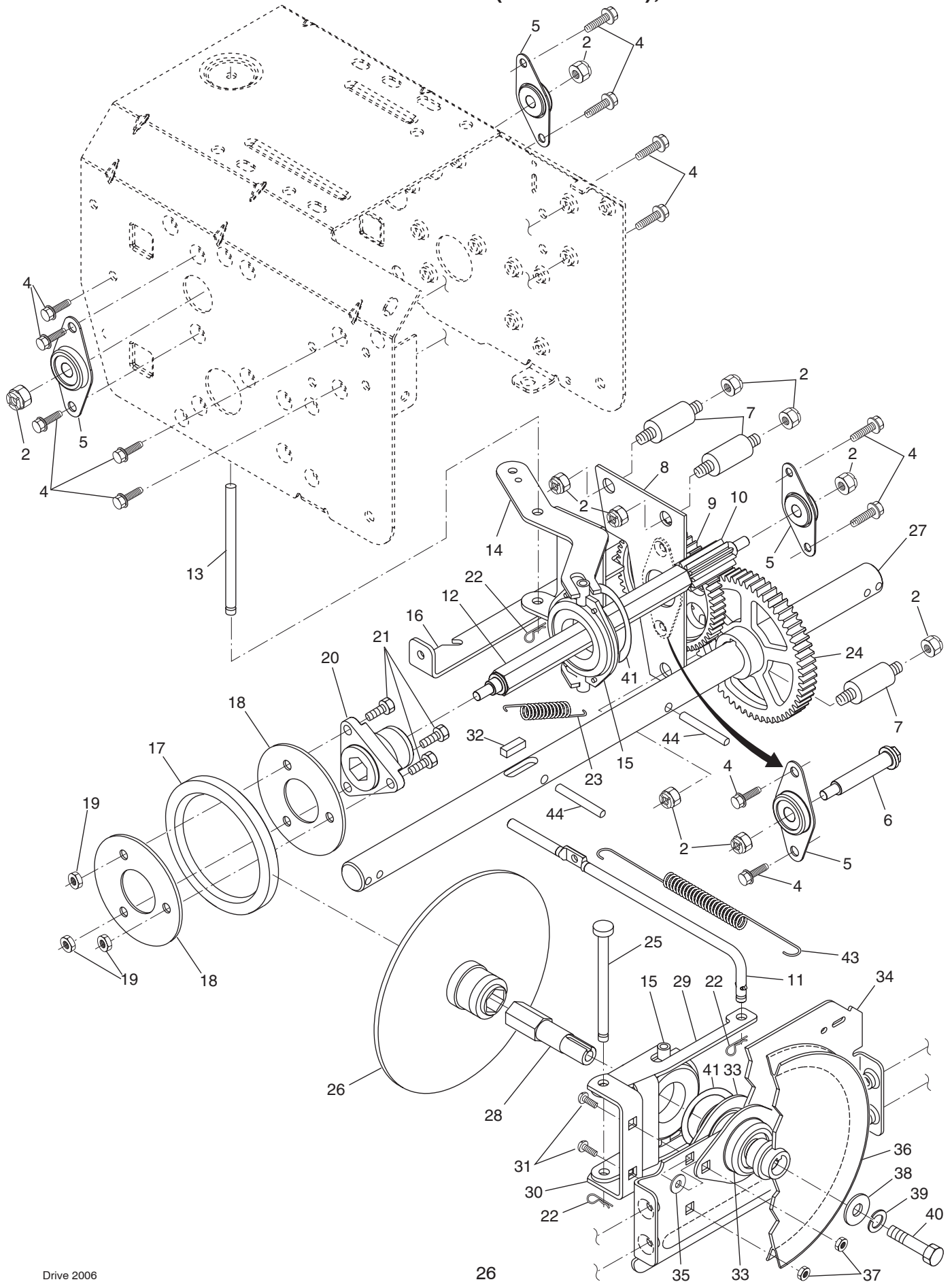
KEY NO.	PART NO.	DESCRIPTION
1	532 41 55-42	Lever, Auger Control, RH
2	532 41 55-41	Lever, Traction Drive Control, LH
5	532 16 96-75	Retainer, Hairpin
6	817 06 04-08	Screw, Hex Head
7	532 41 26-77	Bail, Interlock
8	532 19 95-76	Arm, Impeller Rod
9	532 41 55-46	Arm, Traction Rod
10	532 41 55-39	Panel, Control
11	874 78 05-24	Screw, Hex Head 5/16-18 x 1-1/2
12	874 78 05-12	Screw, Hex Head 5/16-18 x 1-3/4
13	532 41 52-36	Handle Tube, LH
14	532 41 52-37	Handle Tube, RH
15	532 75 11-53	Nut, Lock 5/16-18
16	819 13 13-16	Washer, Flat 3/8
17	532 17 88-99	Knob, Handle
18	532 18 04-80	Rod, Auger Control
19	532 40 57-40	Rod, Traction Control
22	872 12 06-18	Bolt, Carriage 3/8-16 x 2-1/4
23	532 18 40-87	Handle Tube, Lower
24	532 18 04-47	Sleeve, Spring
25	532 18 09-26	Spring, Traction Drive
26	532 17 86-69	Spring, Auger Control
27	817 00 06-16	Screw, Hex Head 3/8-16 x 1
28	532 41 26-80	Spacer Control
30	532 40 58-79	Console, Panel
31	532 17 52-62	Screw, Hex Head, Tapping #10-24 x 1-1/4
32	532 18 44-71	Screw, Hex Head, Tapping #10-24 x 1/2
36	532 17 88-31	Spring, Torsion
37	532 41 62-88	Spring, Interlock
38	532 17 86-66	Headlight, Halogen (Includes Bulb)
--	532 40 16-20	Bulb, Halogen
39	532 17 86-68	Bezel, Headlight
40	532 40 56-99	Harness, Headlight (Halogen)
41	532 17 87-75	Pop Rivet
42	817 06 04-10	Screw
44	532 41 45-72	Cam, Interlock
47	532 19 69-43	Mounting Bracket, Handle, RH
48	532 19 69-44	Mounting Bracket, Handle, RH
49	532 41 45-15	Grip, Handle, Heated
50	532 40 57-81	Switch, Heated Handle Grips

NOTE: All component dimensions given in U.S. inches. 1 inch = 25.4 mm**IMPORTANT:** Use only Original Equipment Manufacturer (O.E.M.) replacement parts. Failure to do so could be hazardous, damage your snow thrower and void your warranty.

REPAIR PARTS

DRIVE

SNOW THROWER - MODEL NO. 10527SBE (96193001606), PRODUCT NO. 961 93 00-16



REPAIR PARTS**DRIVE****SNOW THROWER - MODEL NO. 10527SBE (96193001606), PRODUCT NO. 961 93 00-16**

KEY NO.	PART NO.	DESCRIPTION
2	532 75 11-53	Nut, Lock 5/16-18
4	817 49 05-08	Screw, Hex Head 5/16-18 x 1/2
5	532 18 00-17	Bearing, Flange
6	532 18 01-34	Shaft, Auxiliary
7	532 17 92-70	Spacer, Plate
8	532 19 29-07	Plate, Auxiliary
9	532 18 00-82	Gear, Intermediate (12/58)
10	532 18 00-65	Gear, Pinion
11	532 40 33-00	Rod, Clutch
12	532 18 00-66	Shaft, Long, Hex
13	532 17 88-07	Pin, Pivot
14	532 18 40-80	Lever, Shifter / Wheel
15	532 17 53-44	Trunnion Bearing Assembly
16	532 18 78-57	Bracket, Pivot, Shift
17	532 17 98-31	Ring, Rubber Wheel
18	532 19 95-09	Plate, Rubber Wheel
19	873 93 05-00	Nut, Lock 5/16-18
20	532 17 86-13	Hub, Rubber Wheel
21	874 76 05-14	Screw, Hex Head 5/16-18 x 7/8
22	532 08 51-79	Retainer, Hairpin
23	532 18 01-35	Spring, Bias
24	532 18 00-81	Gear, Axle (58 Teeth)
25	532 17 86-95	Pin, Pivot Lever
26	532 19 77-63	Plate Assembly, Drive
27	532 40 43-07	Shaft, Axle
28	532 19 77-64	Shaft, Short Hex
29	532 18 40-77	Lever, Shifter Plate
30	532 18 40-76	Bracket, Shifter Support
31	872 27 05-05	Bolt, Carriage 5/16-18 x 5/8
32	532 18 92-82	Key, Square 1/4 x 1/4 x 7/8
33	532 18 89-09	Bearing, Flange
34	532 18 40-75	Plate, Drive Mounting
35	532 18 25-04	Spacer, Bearing
36	532 19 10-80	Pulley, Traction Drive
37	532 15 53-77	Nut, Lock 5/16-18
38	819 11 15-07	Washer, Flat
39	810 04 05-00	Washer, Lock 5/16
40	874 95 05-12	Screw, Hex Head 5/16-18 x 3/4
41	812 00 00-12	Ring, Retaining
43	532 17 90-95	Spring, Return
44	532 18 42-06	Pin, Roll

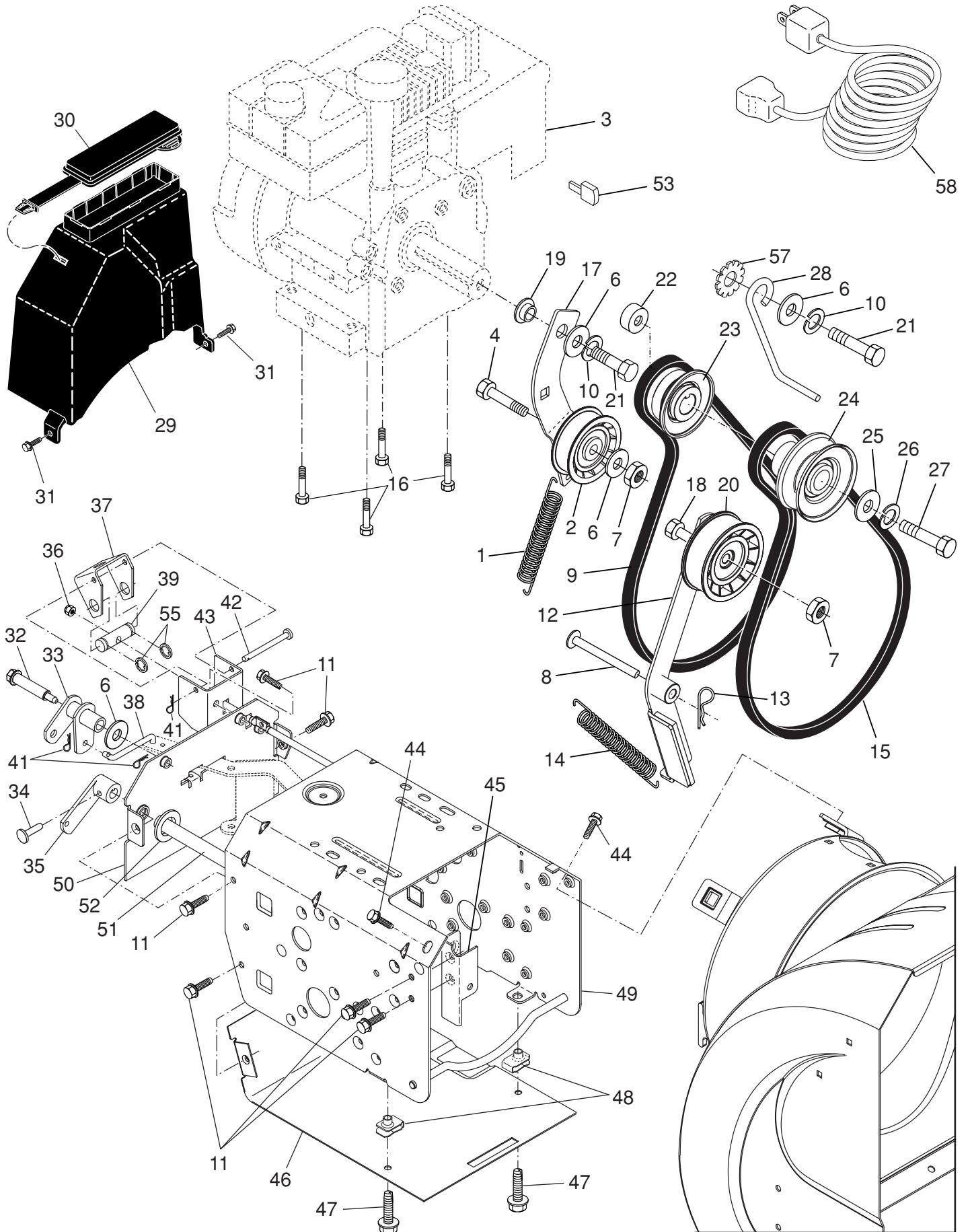
NOTE: All component dimensions given in U.S. inches. 1 inch = 25.4 mm

IMPORTANT: Use only Original Equipment Manufacturer (O.E.M.) replacement parts. Failure to do so could be hazardous, damage your snow thrower and void your warranty.

REPAIR PARTS

CHASSIS / ENGINE / PULLEYS

SNOW THROWER - MODEL NO. 10527SBE (96193001606), PRODUCT NO. 961 93 00-16



REPAIR PARTS

CHASSIS / ENGINE / PULLEYS

SNOW THROWER - MODEL NO. **10527SBE** (96193001606), PRODUCT NO. 961 93 00-16

KEY PART NO.	NO.	DESCRIPTION	KEY PART NO.	NO.	DESCRIPTION
1	532 18 10-44	Spring, Traction Idler	28	532 15 54-52	Guide, Belt
2	532 18 05-22	Pulley, Idler (2-1/4)	29	532 19 22-13	Belt Cover Assembly (Includes Toolbox Cover)
3	- - -	Engine, Tecumseh, Model Number LH358SA (For engine service and replacement parts, call Tecumseh Products at 1-800-558-5402)	30	532 17 88-30	Cover, Toolbox
4	874 78 05-20	Screw, Hex Head 5/16-18 x 1-1/4	31	817 49 04-08	Screw, Hex Head 1/4-20 x 1/2
6	532 05 92-89	Washer, Flat	32	532 40 28-81	Bolt, Shoulder .318 x 25
7	532 16 67-85	Nut, Jam, Lock 5/16-18	33	532 41 54-33	Bellcrank Shifter
8	532 17 53-30	Pin, Idler Pivot	34	532 19 85-80	Clevis Pin
9	532 17 90-92	V-Belt, Traction Drive	35	532 40 54-85	Arm, Auger Control
10	810 04 05-00	Washer, Lock 5/16	36	532 19 17-30	Nut, Lock 1/4-20
11	817 49 05-08	Screw, Hex Head 5/16-18 x 1/2	37	532 41 54-35	Plate, Clutch
12	532 41 04-20	Impeller Arm	38	532 18 71-01	Link, Speed Control
13	532 08 51-79	Retainer, Hairpin	39	532 41 54-35	Bracket Clutch Plate
14	532 17 88-28	Spring, Brake	41	532 70 02-79	Hairpin, Cotter 3/32 x 1/2
15	532 40 80-10	V-Belt, Impeller Drive	42	873 93 05-00	Nut
16	532 15 04-06	Screw, Hex Head 3/8-16 x 1-1/4	43	532 41 54-50	Plate Shifter
17	532 18 48-04	Arm, Idler	44	817 00 06-16	Screw, Hex Head
18	874 78 05-24	Screw, Hex Head 5/16-18 x 1-1/2	45	532 18 40-74	Pivot Bracket, Impeller Idler Arm
19	532 17 53-31	Bushing, Idler Pivot	46	532 41 08-77	Pan, Frame Bottom
20	532 18 05-23	Pulley, Idler (2-3/4)	47	532 18 44-71	Screw, Hex Head 5/16-18 x 3/4
21	874 61 05-16	Screw, Hex Head 5/16-18 x 1	48	873 93 05-00	Nut, Speed 5/16-18
22	532 40 94-75	Spacer, Engine Pulley	49	532 41 53-40	Frame Assembly
23	532 18 04-78	Pulley, Engine, Traction Drive	50	532 41 69-21	Plate, Frame End
24	532 17 91-57	Pulley, Engine, Impeller Drive	51	532 40 61-09	Shaft, Auger Control
25	532 40 00-26	Washer, Flat 3/8	52	532 05 70-79	Washer, Hardened
26	532 85 02-63	Washer, Lock, Helical 3/8	53	532 03 50-62	Key
27	532 85 10-84	Screw, Hex Head 3/8-24 x 1-3/8	55	812 00 00-02	E-Ring
			57	811 05 05-00	Washer, Lock, External Tooth 5/16
			58	532 19 85-63	Power Cord

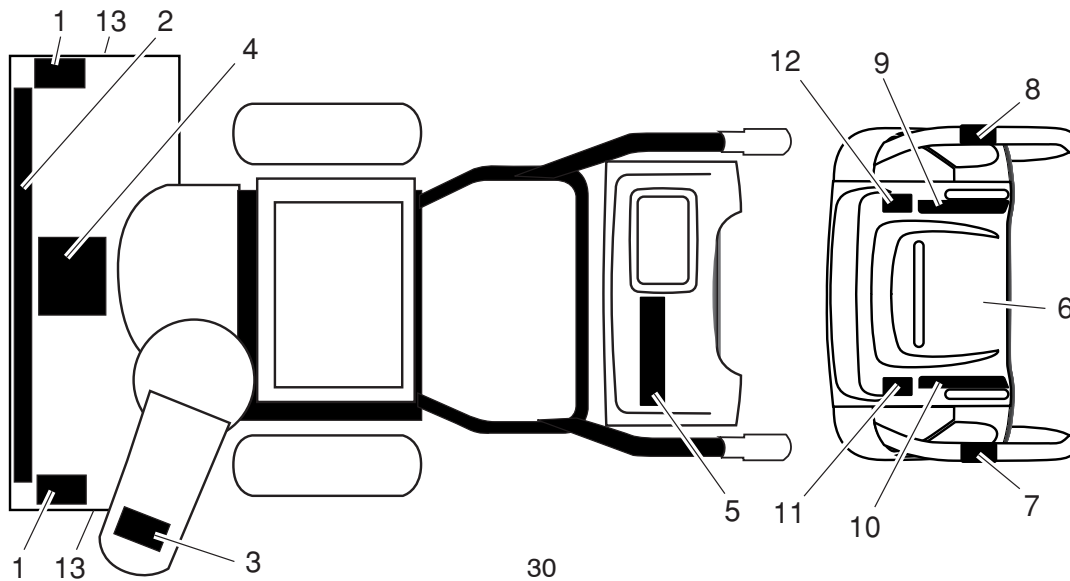
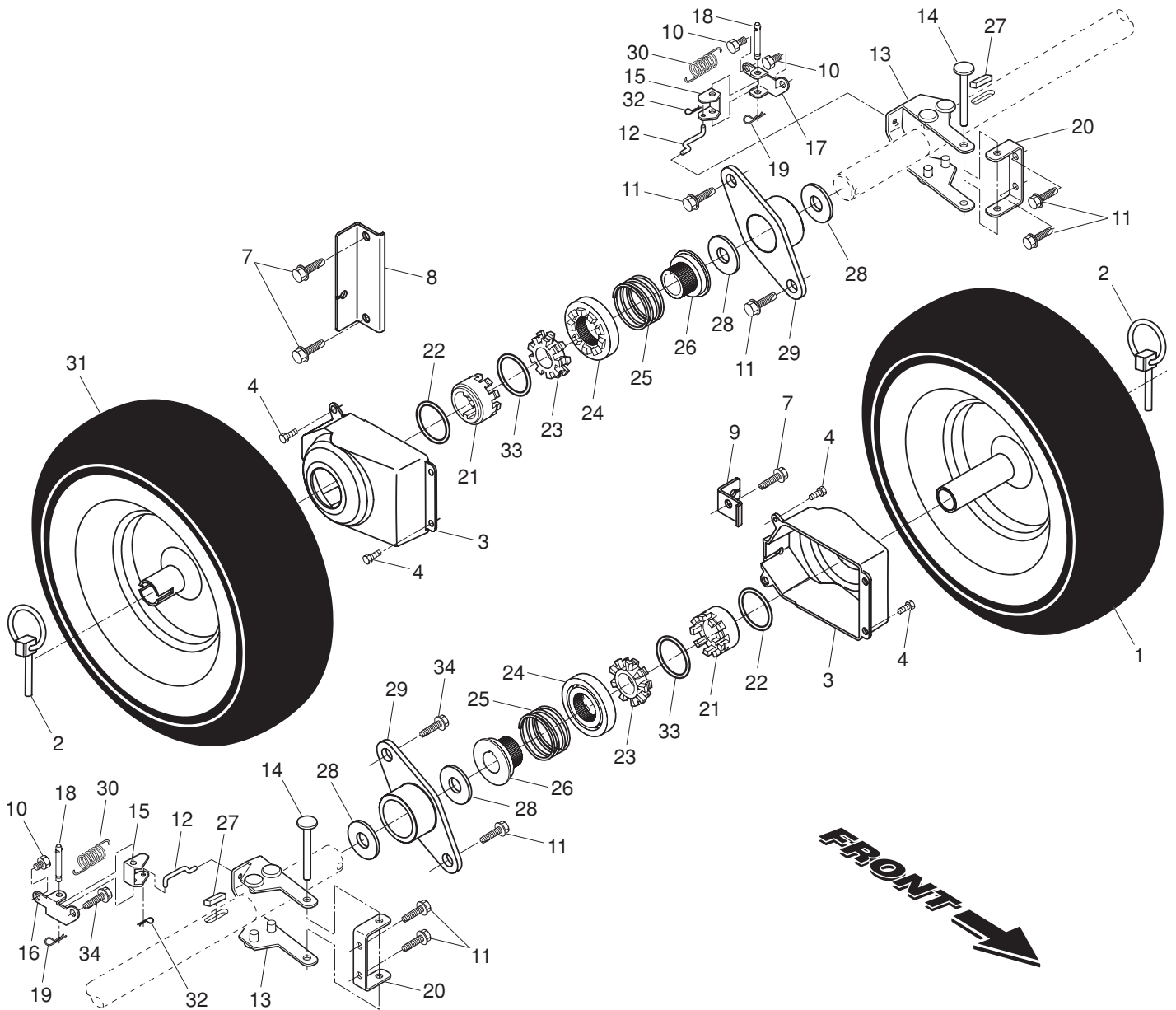
NOTE: All component dimensions given in U.S. inches. 1 inch = 25.4 mm

IMPORTANT: Use only Original Equipment Manufacturer (O.E.M.) replacement parts. Failure to do so could be hazardous, damage your snow thrower and void your warranty.

REPAIR PARTS

WHEELS / DECALS

SNOW THROWER - MODEL NO. 10527SBE (96193001606), PRODUCT NO. 961 93 00-16



REPAIR PARTS

WHEELS / DECALS

SNOW THROWER - MODEL NO. **10527SBE** (96193001606), PRODUCT NO. 961 93 00-16

KEY PART NO.	NO.	DESCRIPTION	KEY PART NO.	NO.	DESCRIPTION
1	532 19 95-01	Wheel Assembly, 16", Power Steering, LH	18	532 18 18-47	Pin, Steering Bellcrank
2	532 15 54-43	Pin, Klik 1/4	19	532 08 51-79	Retainer, Hairpin
3	532 40 51-61	Cover, Power Steering	20	532 18 41-97	Bracket, Steering
4	532 18 44-71	Bolt, Shoulder #10-24 x 5/8	21	532 19 21-26	Driver, Wheel
7	817 49 05-08	Capscrew, Hex Head, Flanged 3/8-16 x 1	22	532 18 24-66	Ring, Wire Retainer
8	532 18 78-59	Bracket, Steering Cable, RH	23	532 18 76-22	Lobe, Wheel
9	532 18 78-58	Bracket, Steering Cable, LH	24	532 19 49-41	Slide, Clutch
10	817 60 04-06	Screw, Hex Head 1/4-20 x 3/8	25	532 17 91-39	Spring, Clutch Slide
11	817 49 05-08	Screw, Hex Head 5/16-18 x 1/2	26	532 19 49-40	Lobe, Axle
12	532 40 50-77	Link, Steering Lever	27	532 18 92-82	Key, Square
13	532 19 95-19	Yoke, Steering	28	532 17 46-97	Washer, Thrust (1")
14	532 18 20-15	Pin, Steering Lever	29	532 17 98-30	Bearing, Axle
15	532 19 95-18	Bellcrank	30	532 19 38-85	Spring, Return
16	532 19 95-12	Bracket Assembly, LH Steering	31	532 19 95-02	Wheel Assembly, 16", Power Steering, RH
17	532 19 95-11	Bracket Assembly, RH Steering	32	532 70 02-79	Clip, Retainer
			33	812 00 00-45	Ring, Retaining
			34	532 14 63-15	Screw, Hex Head 5/16-18 x 5/8

KEY PART NO.	NO.	DESCRIPTION
1	532 18 10-37	Decal, Danger
2	532 41 47-45	Decal, Husqvarna
3	532 18 10-35	Decal, Danger, Deflector
4	532 18 10-42	Decal, Danger
5	532 41 47-46	Decal, Husqvarna, 10527SBE
6	532 18 10-33	Decal, Instruction
7	532 41 53-99	Decal, Traction Lever
8	532 41 53-98	Decal, Auger Lever
9	532 41 54-75	Decal, Speed Control
10	532 18 37-30	Decal, Remote Deflector
13	532 15 57-94	Decal, Husqvarna, Crown
--	532 41 52-57	Owner's Manual, English
--	532 41 52-58	Owner's Manual, French

NOTE: All component dimensions given in U.S. inches. 1 inch = 25.4 mm
IMPORTANT: Use only Original Equipment Manufacturer (O.E.M.) replacement parts.
Failure to do so could be hazardous, damage your snow thrower and void your warranty.