

ROLAIR

SCHEMATIC FOR MODELS

1040K18

2040K18

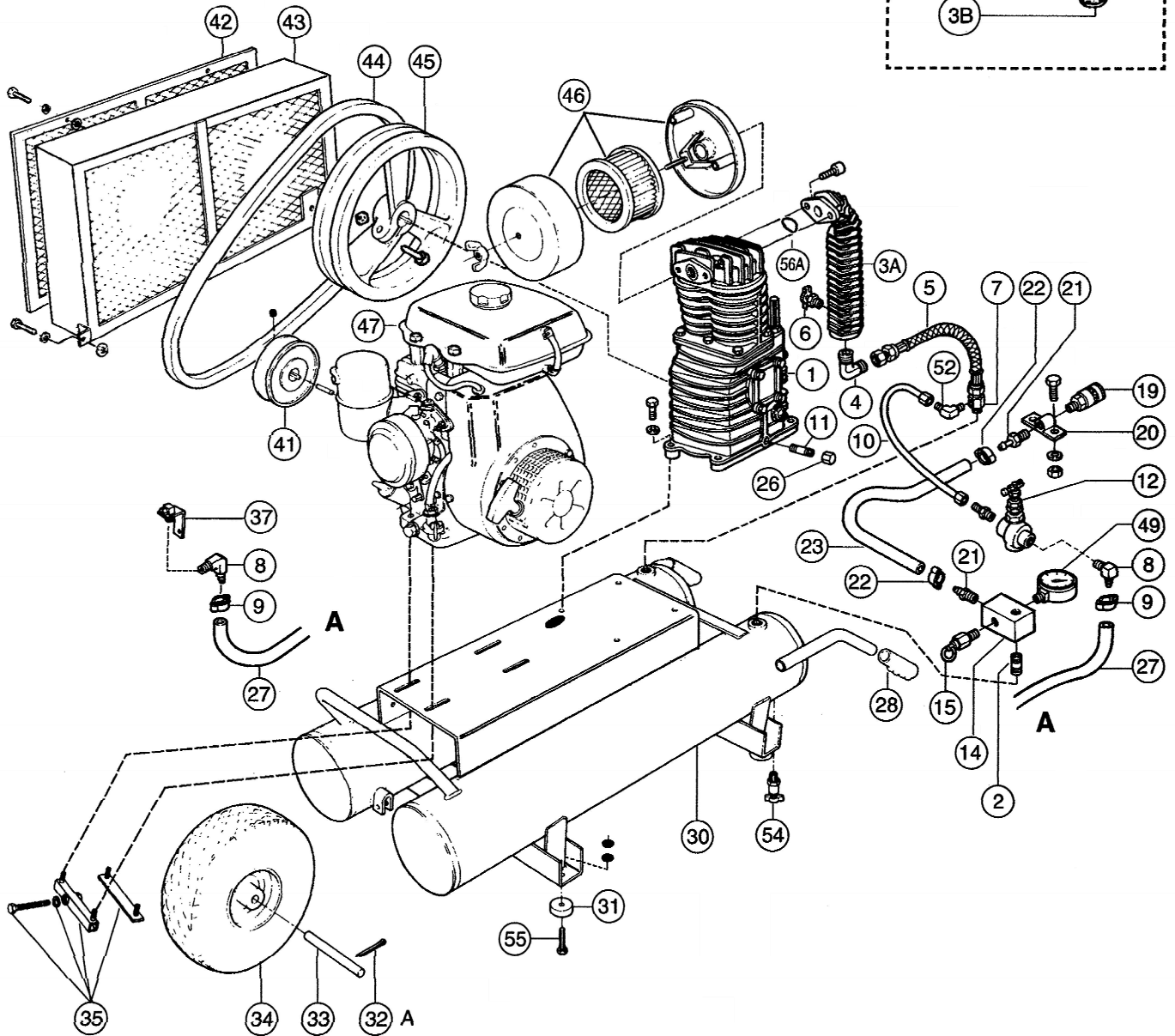
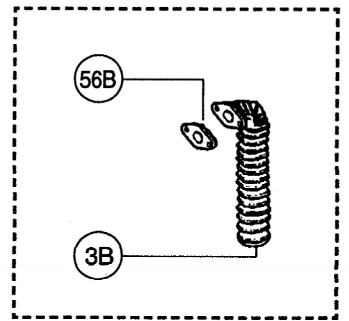
1040HK18

2040HK18

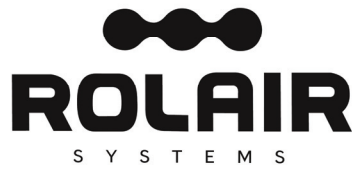
1040RK18

2040RK18

Production Prior to 2/00



2040K18 Model uses (2) WLS30SEAL



PARTS LIST FOR MODELS

1040K18 2040K18
 1040HK18 2040HK18
 1040RK18 2040RK18

Schem #	Description	Part #	Qty.	Schem #	Description	Part #	Qty.
1	Twin-Cylinder Pump with Flywheel	PMP12K18CH	1	34	Foam-Filled Flat-Free Tire	WLS50	1
	Twin-Cylinder Pump less Flywheel	PMP12K18CHLF	1	35	Belt Tightener/Mounting Kit - 1040K18 & 2040K18	SBT8HPKO-ANGLE*	1
2	Nipple	BLNP0500X1500	1		1040HK18, 2040HK18, & 1040RK18, 2040RK18	SBT8HPHO&KAK17-ANGLE*	1
3A	Aftercooler	3290146ACH	1	37	Throttle Control Kit	Specify Engine	1
3B	Aftercooler	Use 3290146ACH	1		41	Pulley	PUAK49X1000
4	Brass Elbow	145D	1	42	Belt-Guard Cover (Before S/N 11070001)	** N.L.A.	
5	Discharge Tube	145F	1		(After S/N 11070001)	BG9145	1
6	Drain Valve	132	1	43	Belt-Guard Base (Before S/N 11070001)	**N.L.A.	
7	Check Valve	CV4X4TA	1		(After S/N 11070001)	BG9140B	1
8	Brass Elbow	BREL0250X0125H16	2	44	Belt	BT4L510/A49	1
9	Hose Clamp	177	2	45	Flywheel	31007280CH	1
10	1/4" Nylon Tubing – 14.4"	178D	1.2'	46	Silencer/Filter Assy	FS14050	1
11	Nipple	BLNP0250X1500	1		Filter Element - Replacement for Above	431	
12	Pilot Unloader Valve	131B	1	47	Kohler Engine – Models 1040K18 & 2040K18	N.L.A.	
14	Aluminum Block Manifold	154	1		Honda Engine –& Models 1040HK18 2040HK18	ENG09H01	1
15	Safety Relief Valve	SRV0250N165	1	Optional Engine Drain Extension for Above	HDE8	1	
19	Quick Disconnect	309A	1	Robin Engine – Models 1040RK18 & 2040RK18	N.L.A.		
20	Accessory Bracket	210	1	49	Gauge	GA0250200GC	1
21	Brass Coupler	BRCP0375X0375-H12	2		52	Brass Elbow	BREL0250X012539
22	Hose Clamp	177A	2	54	Drain Valve	132B	2
23	3/8" Rubber Hose – 16"	178A	1.34'	55	Screw	MIS10008	4
26	Cap	BLCA0250	1		56A	O-Ring	30502510CH
27	1/4" Rubber Hose – 36"	178	3'	56B	Gasket	30501490CH	1
28	Handle Grip	328	2				
30	Twin-Tank Assembly	Specify Model	1				
31	Rubber Foot	219	4				
32	Cotter Pin - 2040 Models	181B	2				
32A	Cotter Pin - 1040 Models	181A	2				
33	Axle for 1040K18, 1040HK18, & 1040KK18 Models	181	1				

*For units built prior to February 2005, order SBT8HP-SQUARE or SBT8HPHO&KA17-SQUARE respectively.

**For units built prior to July 2011, order complete belt guard, part number BG9140B and BG9145.

