

Drill - 0 601 048 739 - 1035 VSR

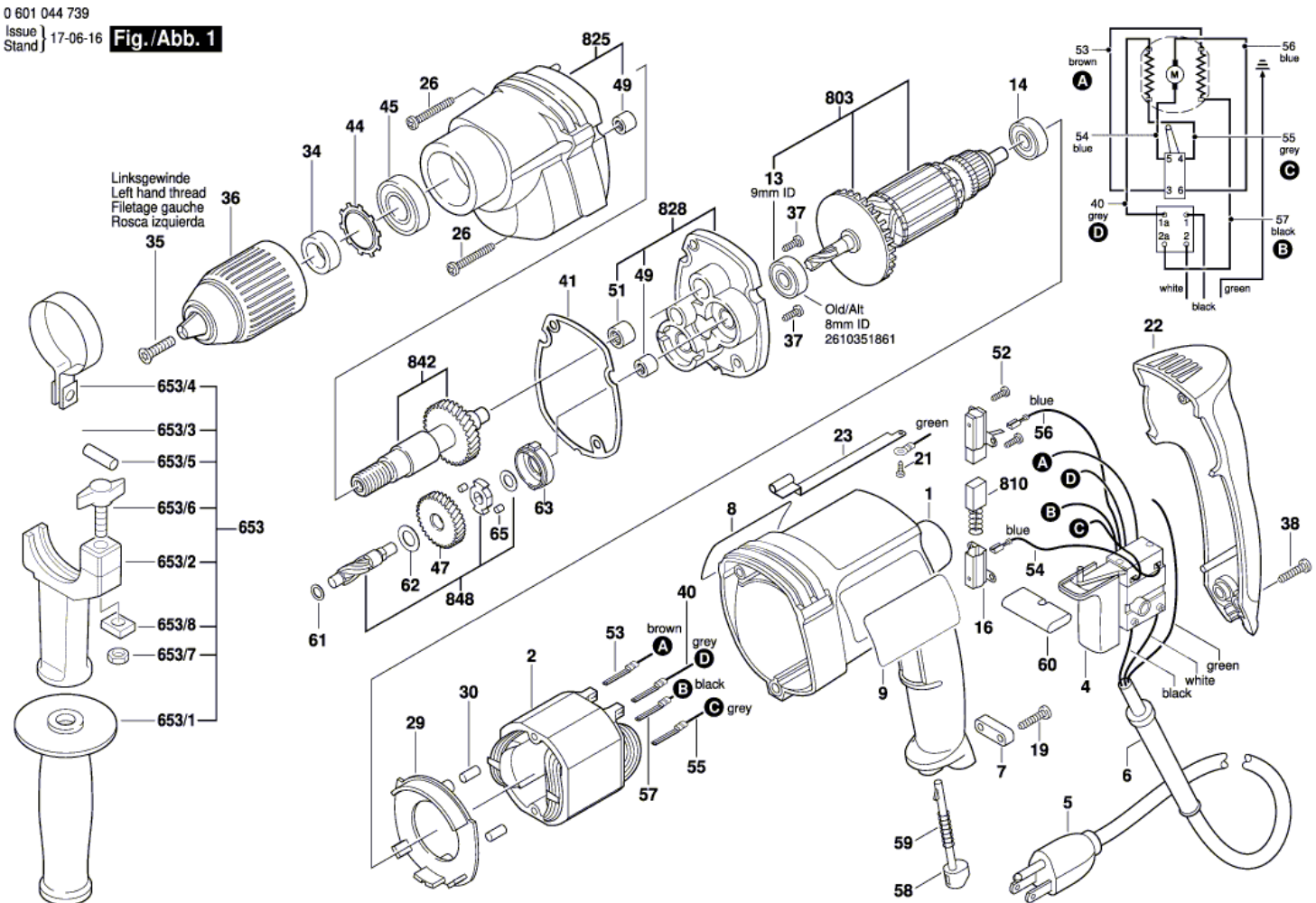
www.powertools-aftersaleservice.com

**BOSCH**

Item	Part Number	Description	Illustration	Price	Quantity	Price Group
1	2 610 998 100	Motor Housing	1	-,-	1	30
2	2 609 120 464	Field 120V	1	-,-	1	29
4	2 607 200 682	Switch	1	-,-	1	34
5	2 610 998 127	Power supply cord USA 2,689m 3 x 0,82mm SJ 18/3	1	-,-	1	30
6	2 600 703 013	Grommet Ø7,6-Ø8,2x95 MM	1	-,-	1	13
7	2 601 035 001	Cable Clip	1	-,-	1	11
8	2 601 116 801	Marking Plate	1	-,-	1	11
9	2 610 998 418	Manufacturer's nameplate	1	-,-	1	15
13	2 600 905 107	groove ball bearing 9x22x7	1	-,-	1	24
14	1 900 905 018	Ball Bearing 7x22x7	1	-,-	1	28
16	2 604 337 003	Brush Holder	1	-,-	2	12
19	2 603 490 022	Screw 4x16	1	-,-	2	10
21	2 916 039 040	Toothed lock washer	1	-,-	1	11
22	2 610 998 102	Housing Cover	1	-,-	1	23
23	2 610 998 118	Earth Conductor	1	-,-	1	12
26	2 603 490 025	Torx Oval-Head Screw 4x30	1	-,-	3	10
29	2 610 998 115	Air Guide Plate	1	-,-	1	12
30	3 602 391 503	Rubber Buffer	1	-,-	2	12
34	2 610 998 132	Spacer	1	-,-	1	12
35	2 603 421 009	Countersunk-Head Screw 1/4"28UNF-2A	1	-,-	1	13
36	2 610 998 152	Keyless Chuck 1/2"	1	-,-	1	43
37	2 603 410 048	Thread-forming tap. Screw M4x8	1	-,-	2	11
38	2 603 490 023	Torx Oval-Head Screw 4x20	1	-,-	3	10
40	2 604 448 287	Connecting Cable	1	-,-	1	10
41	2 610 998 117	Sealing disk	1	-,-	1	10
44	2 610 998 128	Spring retaining ring	1	-,-	1	11
45	2 610 968 044	Ball Bearing	1	-,-	1	24
47	2 610 998 126	Carrier	1	-,-	1	30
49	2 600 914 010	Needle-Roller Bearing Ø6 MM	1	-,-	2	14
51	1 600 910 018	Needle bearing Ø8xØ12x8 MM	1	-,-	1	17
52	2 603 490 017	Torx Oval-Head Screw 3x10	1	-,-	4	10
53	2 604 448 294	Connecting Cable	1	-,-	1	11
54	2 604 448 284	Connecting Cable	1	-,-	1	10

Item	Part Number	Description	Illustration	Price	Quantity	Price Group
55	2 604 448 286	Connecting Cable	1	-,-	1	11
56	2 604 448 285	Connecting Cable	1	-,-	1	10
57	2 604 448 295	Connecting Cable	1	-,-	1	10
58	2 610 998 114	Locking Lever	1	-,-	1	13
59	2 610 998 116	Compression Spring	1	-,-	1	10
60	2 610 998 113	Reversing Switch	1	-,-	1	13
61	2 600 100 607	Shim 0,3 MM	1	-,-	1	11
62	2 600 100 637	Shim 0,5 MM	1	-,-	1	11
63	2 600 202 008	Retaining snap ring	1	-,-	1	16
65	2 609 007 376	Roller Body	1	-,-	2	10
653	1 612 025 020	Auxiliary Handle Ø43 MM	1	-,-	1	-
653/1	1 612 025 019	Auxiliary Handle M8	1	-,-	1	19
653/2	1 618 040 077	Support clamp	1	-,-	1	28
653/3	1 613 521 001	Stud bolt M8	1	-,-	1	16
653/4	1 611 316 003	Clamping Band Ø43 MM	1	-,-	1	13
653/5	1 613 100 012	Straight Pin	1	-,-	1	11
653/6	2 603 480 006	Wing Screw	1	-,-	1	13
653/7	1 613 300 006	Hex Nut M6	1	-,-	1	11
653/8	1 611 030 010	Clamping Plate	1	-,-	1	12
803	2 604 011 902	Armature	1	-,-	1	39
810	2 604 321 905	Carbon-Brush Set	1	-,-	1	23
825	2 610 998 144	Gear Housing	1	-,-	1	35
828	2 610 998 153	Pivot Plate	1	-,-	1	29
842	2 610 907 368	Drive Shaft	1	-,-	1	32
848	2 606 308 928	Toothed Shaft	1	-,-	1	28

NO Lubrication instructions available for this product



Information subject to change without further notice.